



1-1/2" Bronze Self-Priming Spa / Pool Pumps

- *U.L. Listing 1081*
- *Bronze Construction*
- *Buna N Mechanical Seal and O-Ring*
- *1-1/2" NPSC (Straight Thread) Suction, 1-1/2" NPT (Tapered Thread) Discharge Ports*
- *Maximum Working Pressure 75 PSI*
- *Maximum Temperature 180° F*
- *Maximum Flow 110 GPM*
- *Maximum Head 58 Ft.*
- *Self-priming to 12 Ft. with 4530-99 (Optional) Strainer Basket*
- *Self-cleaning Bronze Impellers*
- *1/2 to 2 HP Open Drip Proof (ODP) Single Phase Motors*
- *Optional ABS Strainer Basket*
- *2 HP Model 3884-97 Features 2 Speeds: 1725 & 3450 RPM*

AMT Bronze Self-priming Centrifugal pumps are designed for use with swimming pools, hot tubs and spas. All models are U.L. Listed 1081. When used with Model 4530-99, ABS Strainer Basket, pumps will self-prime to 6 feet. NOTE: Strainer Baskets must be ordered separately. All models are fitted with self-cleaning bronze impellers. Units feature pull-from-rear design for easy servicing without removing piping.

AMT Bronze Self-priming Centrifugal pumps are reliable, cost effective and low maintenance. For use with nonflammable liquids compatible with pump component materials.

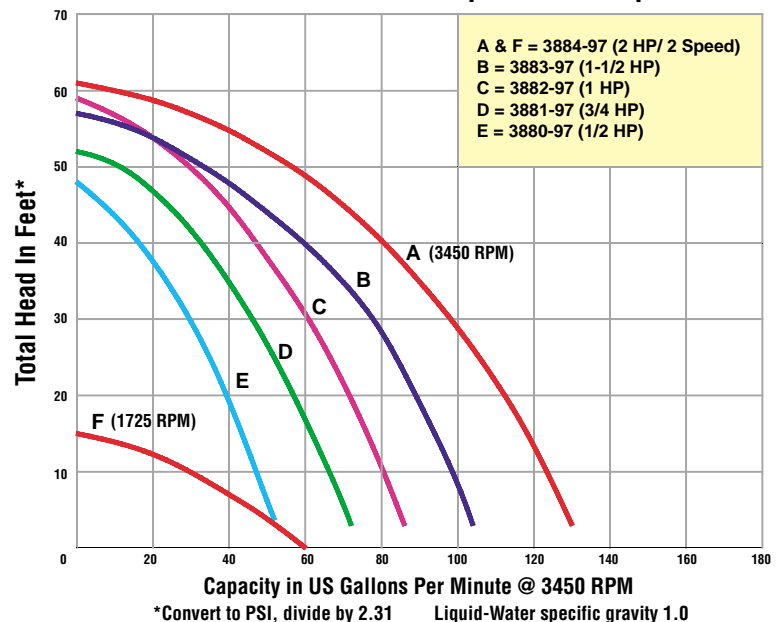


Model 3880-97

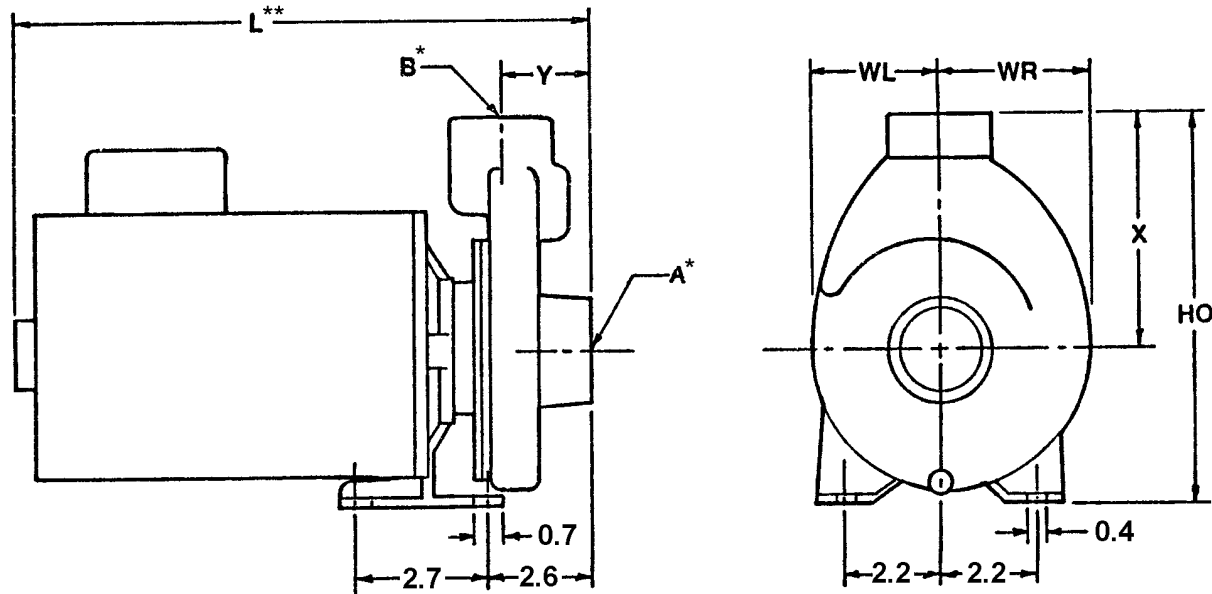


Model 4530-99
Optional Basket Strainer

Performance of Bronze Spa/Pool Pumps



1-1/2" Bronze Self-Priming Spa / Pool Pumps



Pump Dimensional & Specification Data

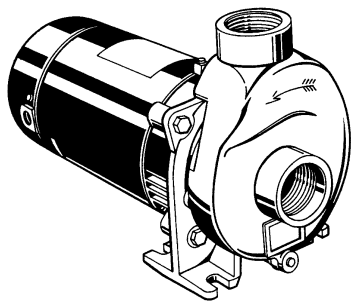
Model No.	HP	PH	ENC	Voltage @ 60 Hz	Full Load Amps	A*	B*	HO	L**	WR	WL	X	Y	Ship Wt.
3880-97	1/2	1	ODP	115/230	10 / 5	1-1/2"	1-1/2"	8.7	10.5	3.0	3.5	5.2	2.1	26 Lbs.
3881-97	3/4	1	ODP	115/230	13 / 7	1-1/2"	1-1/2"	8.7	10.8	3.0	3.5	5.2	2.1	29 Lbs.
3882-97	1	1	ODP	115/230	17 / 9	1-1/2"	1-1/2"	8.7	11.6	3.0	3.5	5.2	2.1	35 Lbs.
3883-97	1-1/2	1	ODP	115/230	22 / 11	1-1/2"	1-1/2"	8.7	12.1	3.0	3.5	5.2	2.1	36 Lbs.
3884-97	2	1	ODP	230	28 / 14	1-1/2"	1-1/2"	8.7	13.8	3.0	3.5	5.2	2.1	45 Lbs.

(*) Standard NPT (female) pipe thread.

(**) This dimension may vary due to motor manufacturer's specifications.

NOTE: Dimensions have a tolerance of $\pm 1/8"$.

NOTE: Electric supply for ALL motors must be within $\pm 10\%$ of nameplate voltage rating (e.g. 230V $\pm 10\%$ = 207 to 253).



Standard Features

- U.L. Listing 1081
- **Bronze** Construction
- Buna N Mechanical Seal and O-Ring
- 1-1/2" NPSC (Straight Thread) Suction, 1-1/2" NPT (Tapered Thread) Discharge Ports
- Maximum Working Pressure 75 PSI
- Maximum Temperature 180° F
- Maximum Head 58 Ft.
- Self-priming to 6 Ft. with **4530-99 (Optional) Strainer Basket**
- Self-cleaning Bronze Impellers
- 1/2 to 2 HP Open Drip Proof (ODP) Single Phase Motors
- 2 HP Model 3884-97 Features 2 Speeds: 1725 & 3450 RPM
- Pull-From-Rear Design for Easy Servicing Without Removing Piping

Standard Features

- ABS Body and Basket with Clear Lexan Lid
- 1-1/2" NPT Suction Port
- 1-1/2" NPSC Connection Port with O-Ring Seal
- Built-in Flapper/Check Valve
- Teflon® Coated O-Ring for Easy Lid Removal



Model 4530-99



400 Spring Street
 Royersford, PA 19468
 (610) 948-3800 Fax (610) 948-5300
 E-mail: amt@fast.net
 www.amtpump.com