

Straight Centrifugal Pumps

- Available in: 300 Series Investment Cast Stainless Steel, Cast Bronze and Cast Iron with Stainless Steel Impeller Construction
- Viton® Mechanical Seal and O-Ring with Stainless Steel and Bronze Models
- Buna-N Mechanical Seal and O-Ring with Cast Iron Models
- Discharge Port Rotates in 90° Increments
- Self-Cleaning, Semi-Open Impeller
- Maximum Flow 90 GPM
- Maximum Head 65 Ft. (28 PSI)

Stainless Steel Centrifugal Pump

Bronze Centrifugal Pump

AMT Solids Handling End Suction Centrifugal pumps are designed for continuous-duty low pressure OEM, Industrial/Commercial and general service applications including circulation, chemical processing, liquid transfer, dirty water and cooling.

These durable and compact pumps are available in a variety of construction and seal materials to meet your specification. Pull-from-rear design for easy service without disturbing any piping. Self-cleaning impeller prevents clogging and handles solids of 1/8" diameter. Pumps are close coupled to Totally Enclosed Fan Cooled (TEFC) motors. **Pumps are not self-priming and require flooded suction.**



400 Spring Street • Royersford, PA 19468 USA

www.amtpump.com • 888-amt-pump (268-7867)

For use with nonflammable liquids compatible with pump component materials. Viton® and Teflon® are registered trademarks of E. I. DuPont.

Pump Dimensional & Specification Data

| Model ‡ | Curve | HP | PH | ENC | Voltage @ 60 Hz + | Full Load Amps | SUC* | DIS* | A | B** | C | E | L** | W** | H** | ‡ Ship Wt. (Lbs.) |
|---------|-------|-------|----|------|-------------------|----------------|-------|------|------------|------------|------------|-----------|-------------|------------|------------|-------------------|
| 368A | A | 1/3 | 1 | TEFC | 115/230 | 7/4 | 3/4 | 1/2 | 5.4 [13.7] | 5.1 [13.0] | 6.2 [15.9] | 1.4 [3.6] | 13.0 [33.0] | 8.3 [21.3] | 8.6 [21.8] | 34 |
| 368B | B | 1/2 | 1 | TEFC | 115/230 | 9/5 | 3/4 | 1/2 | 5.4 [13.7] | 5.1 [13.0] | 6.2 [15.9] | 1.4 [3.6] | 13.0 [33.0] | 8.3 [21.3] | 8.6 [21.8] | 35 |
| 368C | | | 3 | TEFC | 230/460 | 3/2 | | | | | | | | | | |
| 370B | C | 1/2 | 1 | TEFC | 115/230 | 9/5 | 1 | 3/4 | 5.9 [14.9] | 5.1 [13.0] | 6.3 [16.1] | 1.4 [3.6] | 13.0 [33.1] | 8.8 [22.5] | 8.6 [21.8] | 36 |
| 370F | | | 3 | TEFC | 230/460 | 3/2 | | | | | | | | | | |
| 370A | D | 3/4 | 1 | TEFC | 115/230 | 9/5 | 1 | 3/4 | 5.9 [14.9] | 5.1 [13.0] | 6.3 [16.1] | 1.4 [3.6] | 13.5 [34.4] | 8.8 [22.5] | 8.6 [21.8] | 41 |
| 370C | | | 3 | TEFC | 230/460 | 3/2 | | | | | | | | | | |
| 370E | E | 1 | 1 | TEFC | 115/230 | 12/6 | 1 | 3/4 | 5.9 [14.9] | 5.1 [13.0] | 6.3 [16.1] | 1.4 [3.6] | 13.9 [35.5] | 8.8 [22.5] | 8.6 [21.8] | 42 |
| 370D | | | 3 | TEFC | 230/460 | 4/2 | | | | | | | | | | |
| 369C | F | 1 | 1 | TEFC | 115/230 | 12/6 | 1 1/4 | 1 | 6.0 [15.2] | 5.1 [13.0] | 6.3 [16.1] | 1.2 [3.3] | 13.9 [35.5] | 8.8 [22.5] | 8.6 [21.8] | 38 |
| 369F | | | 3 | TEFC | 230/460 | 4/2 | | | | | | | | | | |
| 369A | G | 1 1/2 | 1 | TEFC | 115/230 | 18/9 | 1 1/4 | 1 | 6.0 [15.2] | 5.1 [13.0] | 6.3 [16.1] | 1.2 [3.3] | 14.2 [36.3] | 8.8 [22.5] | 8.6 [21.8] | 52 |
| 369B | | | 3 | TEFC | 230/460 | 5/3 | | | | | | | | | | |
| 369D | H | 2 | 1 | TEFC | 115/230 | 22/11 | 1 1/4 | 1 | 6.0 [15.2] | 5.0 [12.7] | 6.3 [16.1] | 1.2 [3.3] | 15.1 [38.5] | 8.8 [22.5] | 8.5 [21.6] | 54 |
| 369E | | | 3 | TEFC | 230/460 | 6/3 | | | | | | | | | | |

(*) Standard NPT (Female) pipe thread.

(**) This dimension may vary due to motor manufacturer's specifications.

(+) 3-Phase motors can also operate on 50 Hz. (This will change full load amps, service factor and RPM)

NOTE: Dimensions are in inches (centimeters) and have a tolerance of $\pm 1/4"$.

NOTE: Electric supply for ALL motors must be within $\pm 10\%$ of nameplate voltage rating (e.g. 230V $\pm 10\%$ = 207 to 253).

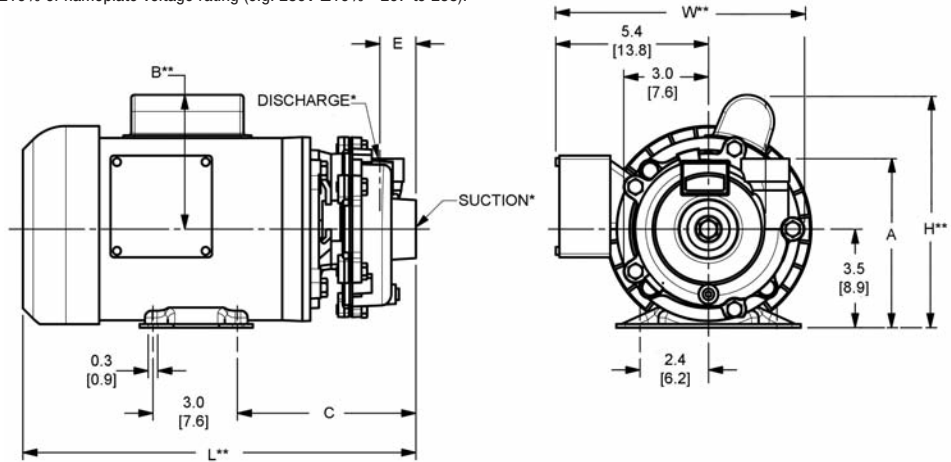
Maximum Solids Handling Capacity: 1/8" Diameter

‡ When Ordering, Add the Correct (-9X) Suffix to Model Number Indicating Material Selection (Ex. 368A-95)

XCI (-95) Cast Iron Construction with Stainless Steel Impeller and Buna-N Seals

XB (-97) Cast Bronze Construction with Viton® Seals

XSS (-98) Cast Stainless Steel Construction with Viton® Seals



Standard Features

- Stainless Steel, Bronze and Cast Iron Construction
- Buna-N or Viton® Mechanical Seal and O-ring, Depending on Model
- Optional Silicon Carbide Mechanical Seals Available
- Stainless Steel Motor Shaft and Hardware
- NEMA 56J TEFC Single or Three Phase Motors
- NEMA Base Mounted Motor
- Self-cleaning Impeller
- Discharge Rotates in 90° Increments
- Maximum Working Pressure 75 PSI
- Maximum Temperature
 - ♦ Viton® 200° F
 - ♦ Buna-N 180° F
- Front Drain Plug
- QSP – Quick Ship Pump for Many Models

Hazardous Duty/Explosion Proof motors available from stock ranging from 1 to 10 HP; CALL FOR QUOTATION & LEAD TIME!