

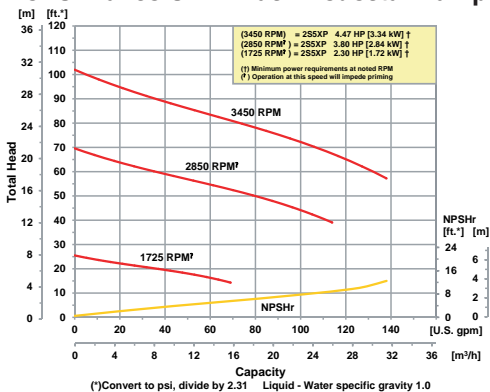
High Pressure & Trash Pedestal Drive Pumps

- **Aluminum Construction**
- **High Pressure—Type P Only**
 - ◆ **Aluminum Impeller with Cast Iron Volute for High Efficiency**
 - ◆ **EPDM/EPR Seals and O-Rings**
- **Trash—Type S Only**
 - ◆ **Cast Iron Impeller & Volute for Resistance to Wear and Abrasion**
 - ◆ **Silicon/Carbide/Viton® Mechanical Seal and EPDM/EPR O-Rings**

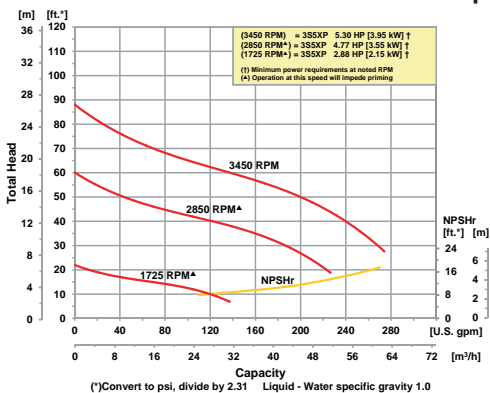


Aluminum Pedestal

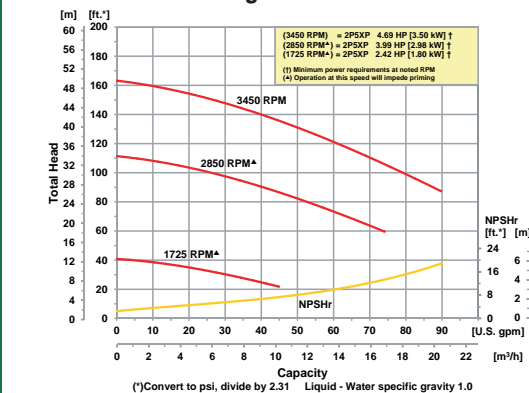
Performance of 2" Trash Pedestal Pumps



Performance of 3" Trash Pedestal Pumps



Performance of 2" High Pressure Pedestal Pumps



Pedestal drive units for flex-coupling to an electric motor are available in general purpose, high pressure and trash versions. All models are standard with threaded impeller.



High Pressure & Trash Pedestal Pumps

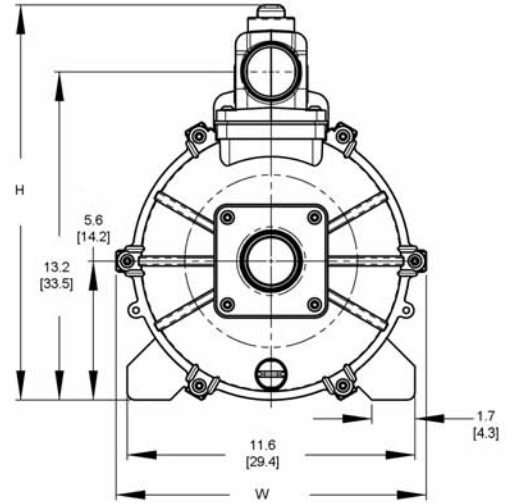
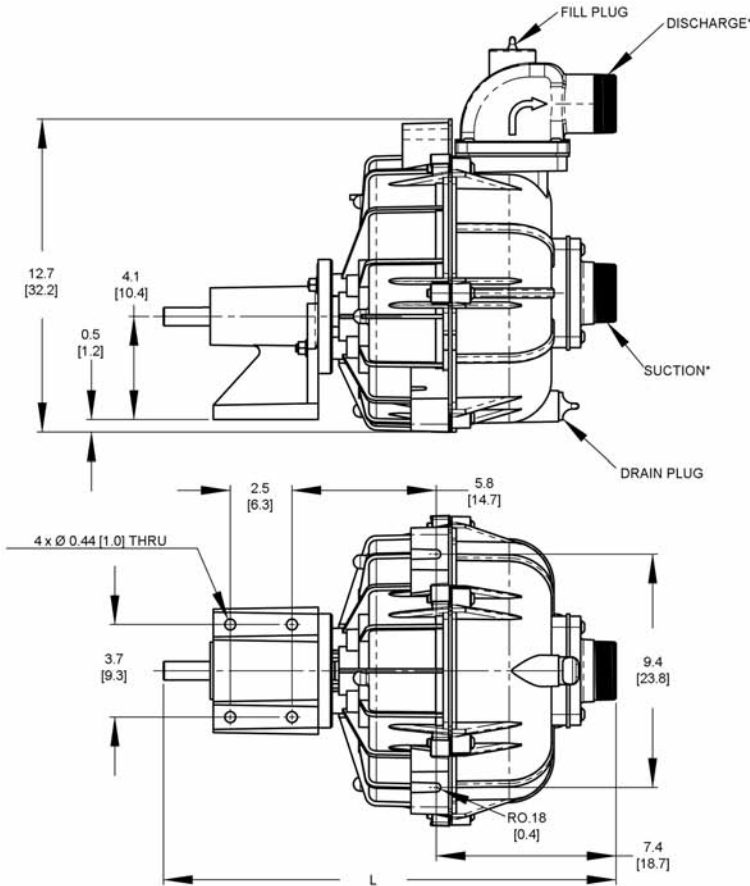
Aluminum with Cast Iron Pedestal Drive with Dual Sealed Ball Bearings

High Pressure Pedestal Drive

Model	NPT	HP Required	Check Valve	O-Ring	Seal Type & Elastomer/Faces	Ship Wt. (Lbs.)
2P5XP	2"	5	EPDM/EPR	EPDM/EPR	EPDM/EPR/CAR/CER	43

Trash Pedestal Drive

Model	NPT	HP Required	Check Valve	O-Ring	Seal Type & Elastomer/Faces	Ship Wt. (Lbs.)
2S5XP	2"	5	EPDM/EPR	EPDM/EPR	Viton®/SIC/SIC	47
3S5XP	3"					49



Pump Dimensional & Specification Data

Model	SUC*	DIS*	L	W	H
2P5XP / 2S5XP	2" (Male)	2" (Male)	18.3 [46.4]	12.5 [31.7]	16.4 [41.6]
3S5XP	3" (Male)	3" (Male)	18.5 [46.9]	12.5 [31.7]	16.0 [40.6]

(*) Standard NPT pipe thread.

NOTE: Dimensions are in inches (centimeters) and have a tolerance of $\pm 1/8"$.

Standard Features

- Stainless Steel Internal Screws and Pins for Easy Servicing
- Large Pump Casing for Faster Priming
- Built-in EPDM/EPR Check Valve for Fast Priming
- Horizontal Discharge—No Need to Buy Elbow
- Threaded Male Connections—No Need to Buy Nipples
- Stainless Steel Shaft Sleeve
- Strainer Supplied with Each Pump—to Prevent Clogging



Manufacturer of AMT & IPT Pumps

400 Spring Street • Royersford, PA 19468 USA

www.amtpump.com • 888-amt-pump (268-7867)

The Gorman-Rupp Company reserves the right to discontinue any model or change specifications at any time without incurring any obligation.
©2012 American Machine and Tool Company. All rights reserved.



1212