

Cast Iron Gasoline & Diesel Driven Solids Handling Pumps



Model 2G4XACR

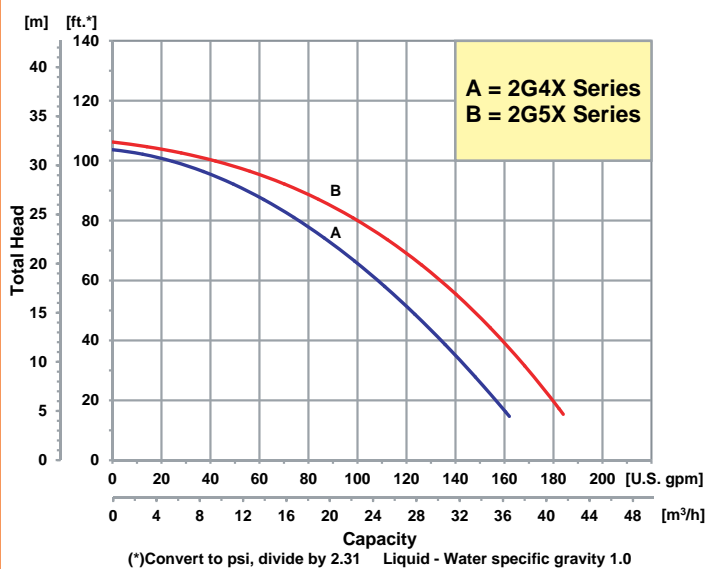


Model 2G5XQCR

- **Heavy Duty Cast Iron Construction**
- **EPDM/EPR Mechanical Seal, O-Rings and Gaskets**
- **2" NPT Port Sizes**
- **Self-Priming up to 20 Ft.**
- **Semi-Open, Clog Resistant Impellers**
- **Maximum Solids Handling 1/2"**
- **Built-in EPDM/EPR Check Valve**
- **Engine Options: Honda, Briggs & Stratton Gasoline or Hatz Diesel**
- **Heavy Duty Steel Roll Frame Included**
- **Optional Wheel Kit Available**

The IPT line of Cast Iron Engine Driven Solids Handling pumps offers an upgraded debris handling capability in wear resistant cast iron construction. Applications include: high volume liquid transfer, agriculture/liquid fertilizer, irrigation, commercial draining and construction. All models feature durable all cast iron construction and clog-resistant impeller to ensure a long life for the complete pump. Dual volute design reduces radial load on engines. Simple four bolt design for easy cleanout, tool included. EPDM/EPR seal and gaskets for use with many anti-freeze, alcohols, ozone, freon, etc. **Check your specific chemical for compatibility.**

Performance of Engine Driven Solids Handling Pumps



Engine Driven Solids Handling Pumps

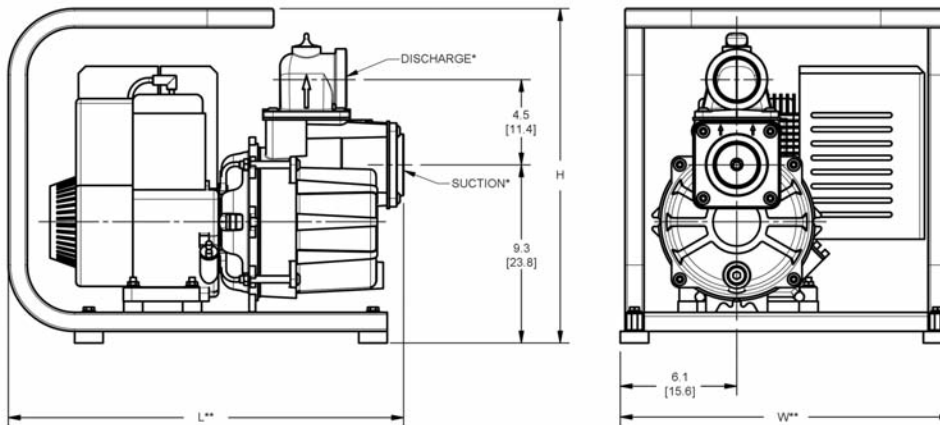
Pump Dimensional & Specification Data

Model	Curve	Port	Driver	Seal	Run Time (Hours)	Tank Size (Gal/Ltr.)	Ship Wt. (Lbs.)
2G4XACR	A	2" NPT	Briggs & Stratton OHV	EPDM/EPR	1.2	0.52 /2.0	90
2G5XZCR	B	2" NPT	Hatz Diesel 1B20	EPDM/EPR	2.7	0.79/3.0	100
2G5XQCR	B	2" NPT	Honda GC160 OHV	EPDM/EPR	1.5	0.47/1.7	90

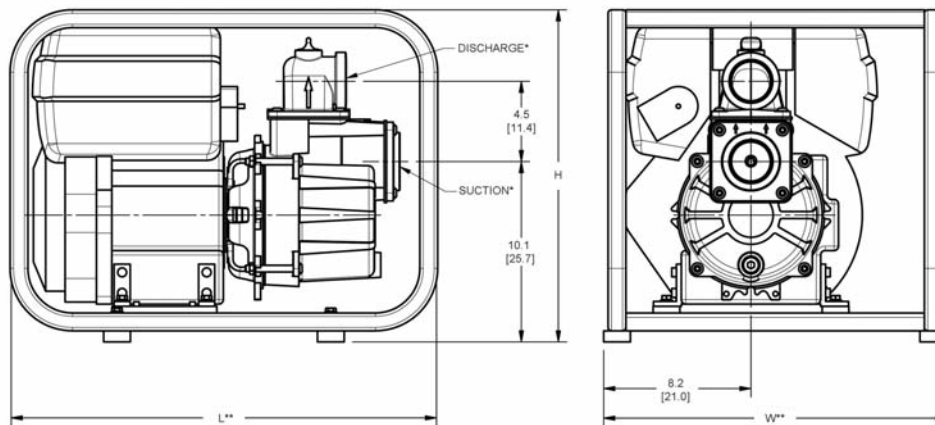
Construction: Cast Iron

Maximum Solids Handling Capacity: 1/2" Diameter

2" Gasoline Solids Handling Pumps



2" Diesel Solids Handling Pumps



Standard Features

- Simple Four Bolt Design for Easy Cleanout, Tool Included
- EPDM/EPR Mechanical Seals, O-Rings and Gaskets
- Discharge Ports Rotate in 90° Increments
- Heavy Duty Cast Iron Construction Ensures Durability for Severe Service Conditions
- O-Ring Casing Seal for Ease of Service and Cleaning
- Maximum Working Pressure 75 PSI
- Maximum Temperature 200° F
- Maximum Flow 182 GPM
- Maximum Head 106 Ft.
- Dual Volute Design for Hydraulic Balance
- Self-Primes to 10 Feet in 1 Minute with Maximum Suction Lift of 20 Feet
- Heavy Duty Steel Roll Frame for Portability

Optional Wheel Kit For Roll Frame Pumps

Model	HP Class ♦	SUC*	DIS*	L**	W**	H
2G4XACR	4 HP	2	2	20.8 [52.8]	17.5 [44.5]	17.6 [44.8]
2G5XZCR	5 HP	2	2	24.0 [60.9]	19.2 [48.7]	18.6 [47.3]
2G5XQCR	5 HP	2	2	20.8 [52.8]	17.5 [44.5]	17.6 [44.8]

Model	Features	Ship Wt. (Lbs.)
C402-90	Includes 10" semi-pneumatic tires on steel wheels with clamps and steel handle for universal mounting to frame.	25

(♦) HP Class represents market category and is not intended to define actual horsepower

(*) Standard NPT Pipe Thread

(**) This dimension may vary due to engine manufacturer's specifications.

NOTE: Dimensions are in inches [centimeters] and have a tolerance of ±1/8".