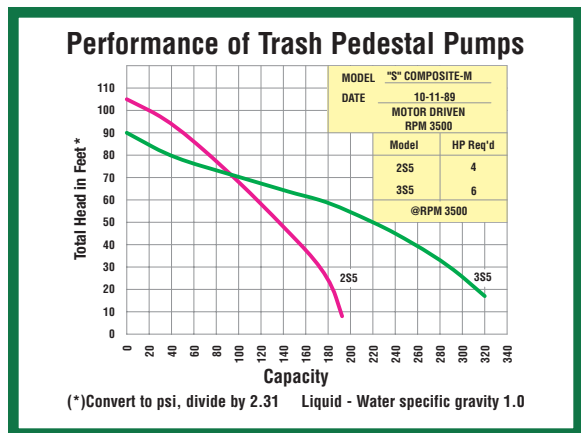
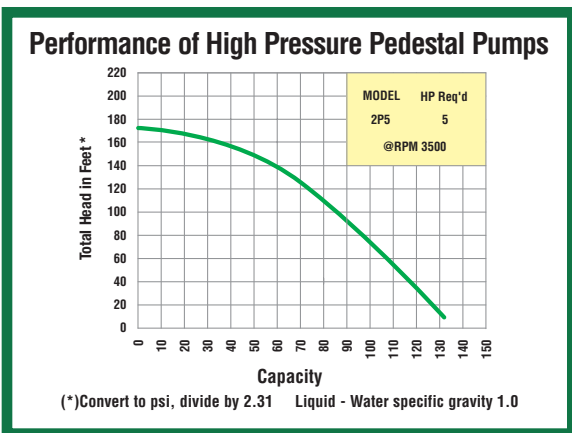
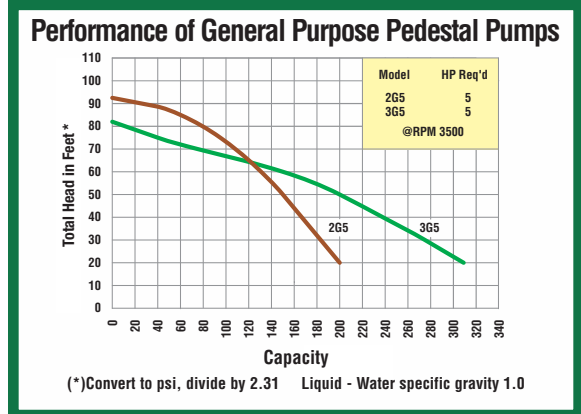
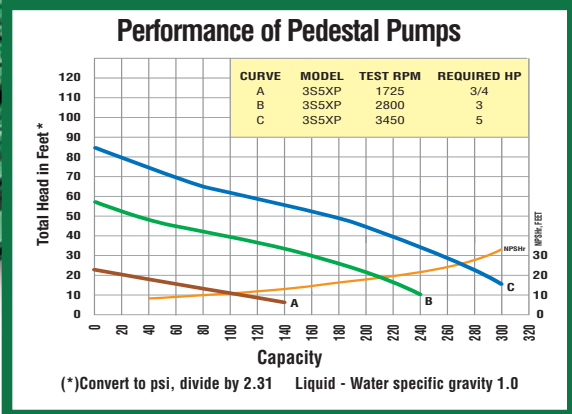


# General Purpose, High Pressure & Trash Pedestal Drive Pumps

- **Cast Iron or Aluminum Construction**
- **General Purpose—Type G Only**
  - ◆ **Cast Iron Impeller and Volute for Long Life**
  - ◆ **EPDM/EPR Seals and O-Rings**
- **High Pressure—Type P Only**
  - ◆ **Aluminum Impeller with Cast Iron Volute for High Efficiency**
  - ◆ **EPDM/EPR Seals and O-Rings**
- **Trash—Type S Only**
  - ◆ **Cast Iron Impeller & Volute for Resistance to Wear and Abrasion**
  - ◆ **Silicon/Carbide/Viton® Mechanical Seal and EPDM/EPR O-Rings**

Pedestal drive units for flex-coupling to an electric motor are available in general purpose, high pressure and trash versions. All models are standard with threaded impeller.





# General Purpose, High Pressure & Trash Pedestal Pumps

## Heavy Duty Cast Iron Pedestal Drive with Dual Sealed Ball Bearings

### General Purpose Pedestal Drive

| Model | NPT | HP Required | Check Valve | O-Ring   | Seal Type & Elastomer/Faces | Ship Wt. (Lbs.) |
|-------|-----|-------------|-------------|----------|-----------------------------|-----------------|
| 2G5PC | 2"  | 5           | EPDM/EPR    | EPDM/EPR | EPDM/EPR/CAR/CER            | 57              |
| 3G5PC | 3"  |             |             |          |                             | 76              |

### Trash Pedestal Drive

| Model | NPT | HP Required | Check Valve | O-Ring   | Seal Type & Elastomer/Faces | Ship Wt. (Lbs.) |
|-------|-----|-------------|-------------|----------|-----------------------------|-----------------|
| 2S5PC | 2"  | 5           | EPDM/EPR    | EPDM/EPR | Viton®/SIC/SIC              | 60              |
| 3S5PC | 3"  | 6           |             |          |                             | 80              |

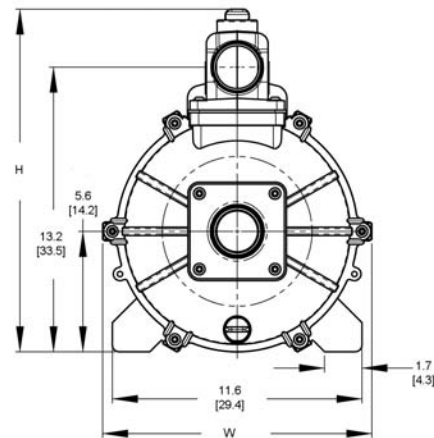
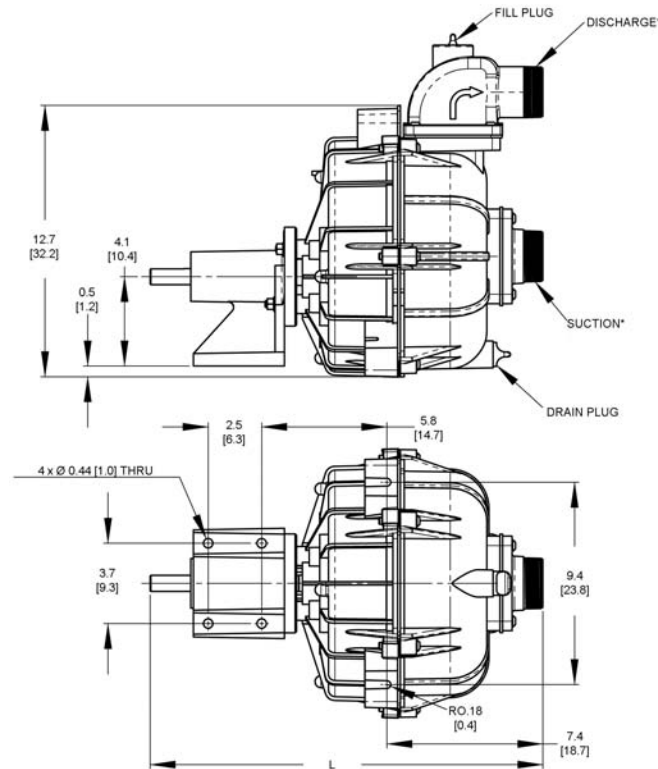
## Aluminum with Cast Iron Pedestal Drive with Dual Sealed Ball Bearings

### High Pressure Pedestal Drive

| Model | NPT | HP Required | Check Valve | O-Ring   | Seal Type & Elastomer/Faces | Ship Wt. (Lbs.) |
|-------|-----|-------------|-------------|----------|-----------------------------|-----------------|
| 2P5XP | 2"  | 5           | EPDM/EPR    | EPDM/EPR | EPDM/EPR/CAR/CER            | 43              |

### Trash Pedestal Drive

| Model | NPT | HP Required | Check Valve | O-Ring   | Seal Type & Elastomer/Faces | Ship Wt. (Lbs.) |
|-------|-----|-------------|-------------|----------|-----------------------------|-----------------|
| 2S5XP | 2"  | 5           | EPDM/EPR    | EPDM/EPR | Viton®/SIC/SIC              | 47              |
| 3S5XP | 3"  |             |             |          |                             | 49              |



### Pump Dimensional & Specification Data

| Model         | SUC*      | DIS*      | L           | W           | H           |
|---------------|-----------|-----------|-------------|-------------|-------------|
| 2G5P / 2S5P   | 2" (Male) | 2" (Male) | 15.1 [38.3] | 12.4 [31.4] | 11.0 [27.9] |
| 3G5P / 3S5P   | 3" (Male) | 3" (Male) | 17.6 [44.7] | 12.4 [31.4] | 11.6 [29.4] |
| 2P5XP / 2S5XP | 2" (Male) | 2" (Male) | 18.3 [46.4] | 12.5 [31.7] | 16.4 [41.6] |
| 3S5XP         | 3" (Male) | 3" (Male) | 18.5 [46.9] | 12.5 [31.7] | 16.0 [40.6] |

(\* Standard NPT pipe thread.

NOTE: Dimensions are in inches (centimeters) and have a tolerance of  $\pm 1/8"$ .

### Standard Features

- Stainless Steel Internal Screws and Pins for Easy Servicing
- Large Pump Casing for Faster Priming
- Built-in EPDM/EPR Check Valve for Fast Priming
- Horizontal Discharge—No Need to Buy Elbow
- Threaded Male Connections—No Need to Buy Nipples
- Stainless Steel Shaft Sleeve
- Strainer Supplied with Each Pump—to Prevent Clogging



Manufacturer of AMT & IPT Pumps

400 Spring Street • Royersford, PA 19468 USA

[www.amtpump.com](http://www.amtpump.com) • 888-amt-pump (268-7867)

The Gorman-Rupp Company reserves the right to discontinue any model or change specifications at any time without incurring any obligation.  
©2012 American Machine and Tool Company. All rights reserved.

