

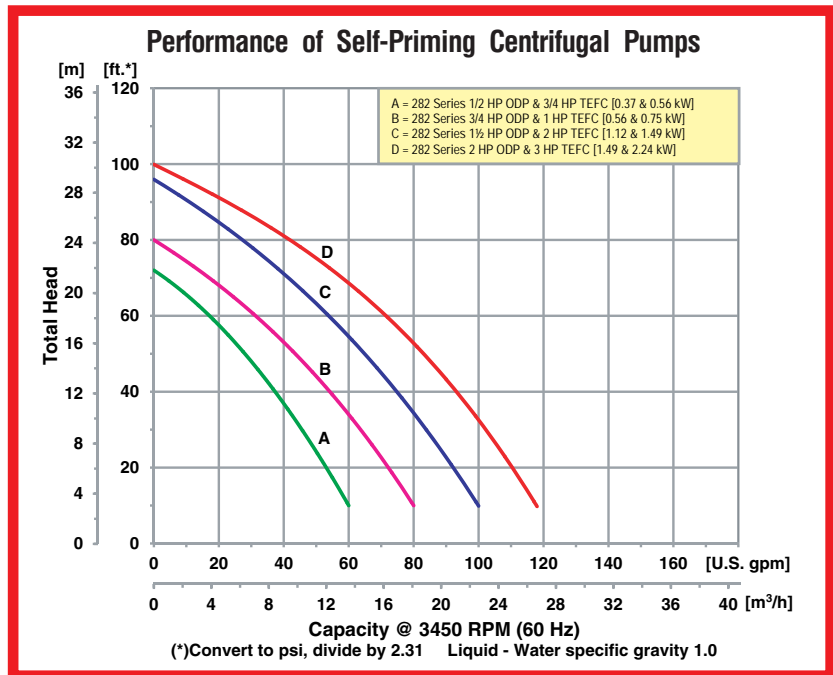
1-1/2" Self-Priming Centrifugal Pumps



Model
282K-95

- **300 Series Investment Cast Stainless Steel Construction with Viton® Seals**
- **Cast Iron Construction with Buna-N Seals**
- **Optional Silicon Carbide Seals Available**
- **1-1/2" NPT Port Size**
- **Maximum Temperature**
 - ◆ **Stainless Steel** **200° F**
 - ◆ **Cast Iron** **180° F**
- **Maximum Flow 120 GPM**
- **Maximum Head 102 Ft. (44 PSI)**
- **Self-Priming up to 20 Feet with Built-in Check Valve**
- **Self-Cleaning, Clog Resistant Impeller**
- **1/2 to 3 HP 56J Single or Three Phase 3450 RPM Motors**

This line of AMT Self-Priming Centrifugal pumps is designed for industrial and commercial applications requiring high volume liquid transfer, waste water drainage and processing. These pumps feature a self-cleaning clog resistant impeller capable of handling up to 3/8" diameter semi-solids. Built-in flapper/check valve enables consistent self-priming to 20 feet. Dual volute design reduces radial load on motor. Stainless steel models are especially effective in applications where rust and/or corrosion can develop in systems and also are highly resistant to erosion and chemicals.



400 Spring Street • Royersford, PA 19468 USA

www.amtpump.com • 888-amt-pump (268-7867)

For use with nonflammable liquids compatible with pump component materials. Viton® and Teflon® are registered trademarks of E. I. DuPont.

Pump Dimensional & Specification Data

Model †	Curve	HP	PH	ENC	Voltage @ 60 Hz +	Full Load Amps	SUC*	DIS*	L**	W**	H	‡ Ship Wt. (Lbs.)
2827	A	1/2	1	ODP	115/230	10/5	1 1/2	1 1/2	16.7 [42.4]	7.3 [18.8]	9.9 [25.4]	54
282D		3/4	1	TEFC	115/230	9/5	1 1/2	1 1/2	17.4 [44.2]	9.1 [23.1]	9.9 [25.4]	60
282F		3/4	3	TEFC	230/460	3/2	1 1/2	1 1/2	17.0 [43.2]	9.1 [23.1]	9.9 [25.4]	53
2825	B	3/4	1	ODP	115/230	13/7	1 1/2	1 1/2	17.2 [43.7]	7.3 [18.8]	9.9 [25.4]	60
282C		1	1	TEFC	115/230	12/6	1 1/2	1 1/2	17.7 [45.0]	9.1 [23.1]	9.9 [25.4]	61
282K		1	3	TEFC	230/460	4/2	1 1/2	1 1/2	16.3 [41.4]	9.1 [23.1]	9.9 [25.4]	57
2821	C	1 1/2	1	ODP	115/230	22/11	1 1/2	1 1/2	18.0 [45.7]	7.3 [18.8]	9.9 [25.4]	65
2822		1 1/2	3	ODP	230/460	7/4	1 1/2	1 1/2	17.5 [44.4]	7.3 [18.8]	9.9 [25.4]	62
282A		2	1	TEFC	115/230	22/11	1 1/2	1 1/2	18.9 [48.0]	9.1 [23.1]	9.9 [25.4]	73
282B		2	3	TEFC	230/460	6/3	1 1/2	1 1/2	18.5 [47.0]	9.1 [23.1]	9.9 [25.4]	66
2828	D	2	1	ODP	115/230	28/14	1 1/2	1 1/2	18.0 [45.7]	7.3 [18.8]	9.9 [25.4]	73
282L		2	3	ODP	230/460	7/4	1 1/2	1 1/2	18.0 [45.7]	7.3 [18.8]	9.9 [25.4]	69
282E		3	1	TEFC	230	16	1 1/2	1 1/2	19.4 [49.2]	9.1 [23.1]	9.9 [25.4]	82
282M		3	3	TEFC	230/460	8/4	1 1/2	1 1/2	19.0 [48.2]	9.1 [23.1]	9.9 [25.4]	70

(*) Standard NPT (Female) pipe thread.

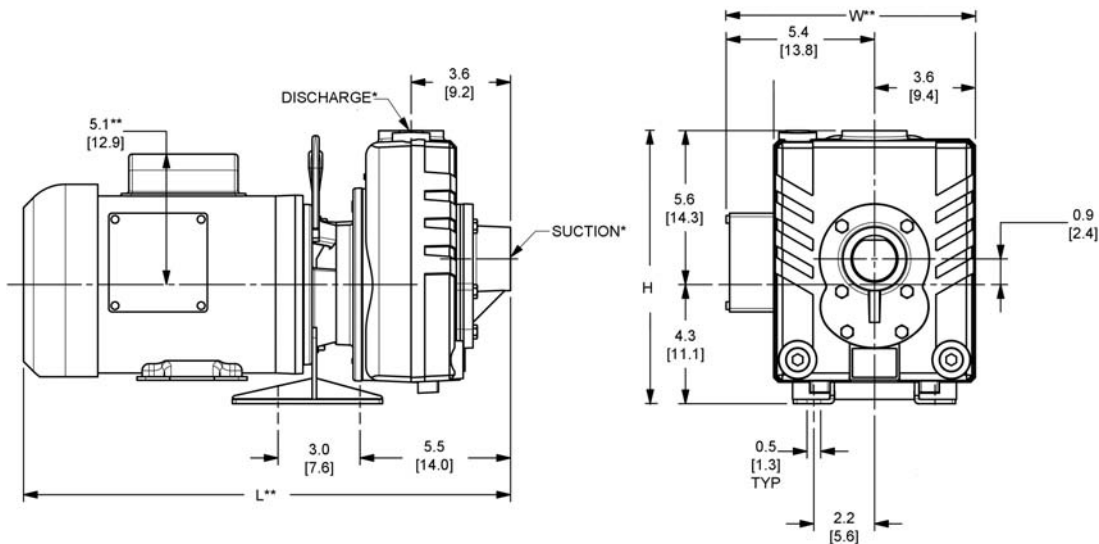
(**) This dimension may vary due to motor manufacturer's specifications.

(+) 3-Phase models can also operate on 50 Hz (This will change full load amps and service factor, RPM and priming capabilities).

NOTE: Dimensions are in inches (centimeters) and have a tolerance of $\pm 1/4"$.

NOTE: Electric supply for ALL motors must be within $\pm 10\%$ of nameplate voltage rating (e.g. 230V $\pm 10\%$ = 207 to 253).

‡ Add Suffix -95 or -98 for Specific Model (Ex. 2761-95 (-95) Cast Iron Construction with Buna-N Seals (-98) Cast Stainless Steel Construction with Viton® Sea



Standard Features

- 300 Series Investment Cast Stainless Steel Construction with Viton® Seals
- Cast Iron Construction with Buna-N Seals
- Handles 3/8" Diameter Semi-solids
- NEMA 56J Motors with Stainless Steel Shaft
- Maximum Working Pressure 75 PSI
- Available in ODP or TEFC, Single or Three Phase Motors
- Self-priming to 20 Ft.
- Self-cleaning, Clog Resistant Impeller
- Steel Base and Handle Included
- Dual Volute Design
- QSP – Quick Ship Pump for Many Models

Hazardous Duty/Explosion Proof motors available from stock ranging from 1 to 10 HP; CALL FOR QUOTATION & LEAD TIME!