

Please read and save this Repair Parts Manual. Read this manual and the General Operating Instructions carefully before attempting to assemble, install, operate or maintain the product described. Protect yourself and others by observing all safety information. The Safety Instructions are contained in the General Operating Instructions. Failure to comply with the safety instructions accompanying this product could result in personal injury and/or property damage! Retain Instructions for future reference. AMT reserves the right to discontinue or change specifications without incurring any obligations.

©2006 American Machine & Tool Co., Inc. of PA. A Subsidiary of The Gorman-Rupp Company. All Rights Reserved.

**⚠ WARNING** Periodic maintenance and inspection is required on all pumps to insure proper operation. Unit must be clear of debris and sediment. Inspect for leaks and loose bolts. Failure to do so voids warranty.

# Self-Priming Centrifugal Pumps

## High Volume Dewatering Cast Iron Models

Refer to form 1808-634-00 for General Operating and Safety Instructions.

### Description

These centrifugal pumps are self-priming (to 20 ft. lift) units designed for high volume liquid transfer - irrigation, de-watering, lawn sprinkling, etc. They can also accommodate semi-solids (up to 3/8" dia.), sediment laden liquids, and liquids with entrained air or gases. Units are equipped with flapper valves to shorten re-prime time. Handles liquids from 40° to 180° F (4° to 82° C). For use with non-flammable, non-abrasive liquids compatible with pump component materials.

### Maintenance

**⚠ WARNING** Make certain that unit is disconnected from power source before attempting to service or remove any component!

**NOTE:** The pump casing should be removed and inspected periodically to insure that any foreign material is not clogging internal pump parts. This unit is equipped with a dual volute pump casing. One of the volutes runs 180°, all the way from the side opposite the discharge into the discharge through a completely enclosed passageway. If foreign material clogs this area, it can be dislodged by using a wire or long spring.

### MECHANICAL SEAL REPLACEMENT

Refer to Figure 1

**IMPORTANT:** Always replace both seal seat (Ref. No. 8) and seal head (Ref. No. 9) to ensure proper mating of components!

1. Unthread fasteners (Ref. No. 6) and remove pump casing (Ref. No. 14) and casing seal (Ref. No. 7) from adapter (Ref. No. 5).
2. Unscrew impeller fastener (Ref. No. 13), (where applicable), and impeller (Ref. No. 11) separately by turning each counterclockwise.

**NOTE:** Most motors use an open end 7/16" wrench across flats on rear of motor shaft (remove bearing cap for access) to prevent shaft from turning. Other motor shafts have a screwdriver slot instead of flats.

3. Unscrew fasteners (Ref. Nos. 4 & 18) and remove adapter, foot (Ref. No. 19), and handle (Ref. No. 3) from motor (Ref. No. 1) mounting face. Seal head will come loose at this time.
4. Push seal seat from adapter recess with a screwdriver.
5. Clean adapter recess before inserting a new seal seat.
6. Carefully wipe polished surface of new seal seat with a clean cloth.
7. Wet rubber portion of seal seat with a light coating of soapy water.
8. Press new seal seat squarely into cavity in adapter. If seal seat does not press squarely into cavity, it can be adjusted in place by pushing on it with a piece of pipe. Always use a piece of cardboard between pipe and seal seat to avoid scratching seal seat. (This is a lapped surface and must be handled very carefully.)
9. After seal seat is in place, insure that it is clean and has not been marred.
10. Using a clean cloth, wipe shaft and

make certain that it is perfectly clean.

11. Secure adapter, foot, and handle on motor mounting face. Carefully guide motor shaft through seal seat.
12. Apply a light coating of soapy water to inside rubber portion of seal head and slide onto shaft (with sealing face first) so that rubber portion is just up over shaft shoulder.

**⚠ CAUTION** Do not touch or wipe polished face of seal head.

13. Replace any impeller shims (Ref. No. 10) which may have been removed in disassembly. (See "Shim Adjustment" below.)
14. Screw impeller back into place, tightening until it is against shaft shoulder.
15. Replace impeller nut (where applicable), and tighten until snug.
16. Remount casing seal and pump casing on adapter.

**IMPORTANT:** Always use a new casing gasket whenever unit is disassembled.

### SHIM ADJUSTMENT

When installing a replacement impeller (Ref. No. 11) or motor (Ref. No. 1), it may be necessary to adjust number of shims (Ref. No. 10) to insure proper running clearance between impeller and casing. Proceed as follows:

**NOTE:** A proper running clearance is less than 0.010".

1. For impeller replacement, add one 0.010" shim in addition to those removed originally.
2. For motor replacement, add two

# **Self-Priming Centrifugal Pumps**

## **High Volume Dewatering Cast Iron Models**

### **Maintenance (Continued)**

0.010" shims in addition to those removed during disassembly.

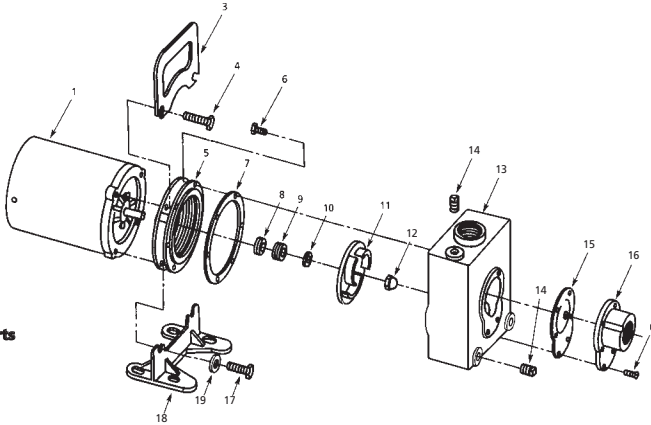
3. Reassemble the pump as described in steps 15, 16 & 17.

**IMPORTANT:** Ensure that the casing is snugly in place and check shaft to make sure it is turning freely (use screwdriver slot in motor to turn shaft). If it turns freely, check to insure that adapter and casing are fitted tight together. If they are not, tighten fasteners (Ref. Nos. 4, 6 and 18) and recheck shaft for free turning. Tighten carefully, turning shaft while tightening so that motor bearings are not damaged in the event that too many shims were installed. If shaft seizes before fasteners are completely tight, disassemble pump and remove one shim and repeat reassembly.

***For Repair Parts, contact dealer where pump was purchased.***

Please provide following information:

- Model number
- Serial number (if any)
- Part description and number as shown in parts list



**Figure 1 – Repair Parts Illustration**

**Repair Parts List**

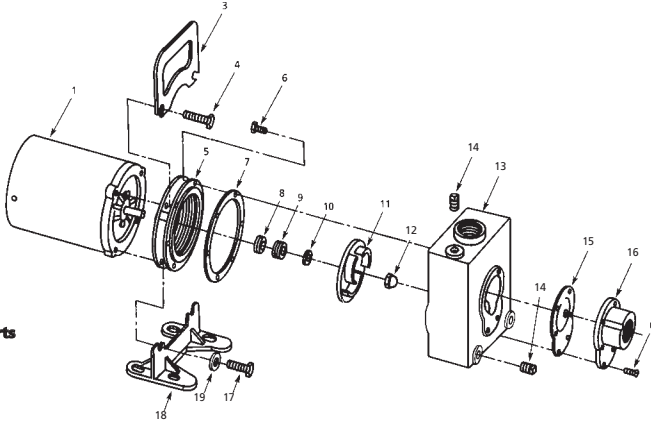
| Ref. No. | Description                                     | Part Number for Models: |                 |                   |               | Qty.        |   |
|----------|-------------------------------------------------|-------------------------|-----------------|-------------------|---------------|-------------|---|
|          |                                                 | 2827-95 (1/2HP)         | 2825-95 (3/4HP) | 2821-95 (1 1/4HP) | 2828-95 (2HP) |             |   |
| 1        | Motor                                           | -1 Phase ODP            | 1626-009-00     | 1626-010-00       | 1626-012-00   | 1626-024-00 | 1 |
|          |                                                 | -3 Phase ODP            | 1626-013-00     | 1626-014-00       | 1626-016-00   | 1626-025-00 |   |
|          |                                                 | -1 Phase TEFC           | 1626-302-00     | 1626-303-00       | 1626-305-00   | 1626-306-00 |   |
|          |                                                 | -3 Phase TEFC           | 1626-308-00     | 1626-309-00       | 1626-311-00   | 1626-312-00 |   |
| 3        | Handle                                          | 1515-000-00             | 1515-000-00     | 1515-000-00       | 1515-000-00   | 1           |   |
| 4        | Fastener                                        | *                       | *               | *                 | *             | 2           |   |
| 5        | Adapter                                         | 1499-000-01             | 1499-000-01     | 1499-000-01       | 1499-000-01   | 1           |   |
| 6        | Fastener                                        | *                       | *               | *                 | *             | 12          |   |
| 7        | Casing seal                                     | 1478-000-00             | 1478-000-00     | 1478-000-00       | 1478-000-00   | 1           |   |
| 8&9 †    | Shaft seal assembly                             | -Buna N                 | 1640-161-90     | 1640-161-90       | 1640-161-90   | 1640-161-90 | 1 |
|          |                                                 | -Viton                  | 1640-161-91     | 1640-161-91       | 1640-161-91   | 1640-161-91 |   |
| 10       | Impeller shim set                               | 1657-000-90             | 1657-000-90     | 1657-000-90       | 1657-000-90   | 1           |   |
| 11       | Impeller                                        | -1 Phase                | 2820-011-01     | 2820-011-03       | 2820-011-05   | 2820-011-07 | 1 |
|          |                                                 | -3 Phase                | 2820-011-02     | 2820-011-04       | 2820-011-06   | 2820-011-08 |   |
| 12       | Impeller fastener                               | 1784-001-00             | 1784-001-00     | 1784-001-00       | 1784-001-00   | 1           |   |
| 13       | Casing kit, (includes Ref. No. 6, 14, 15, & 16) | -w/ Buna Flapper Valve  | 2820-001-B5     |                   |               |             |   |
|          |                                                 | -w/ Viton Flapper Valve | 2820-001-V5     |                   |               |             |   |
|          |                                                 |                         |                 |                   |               |             |   |
| 14       | Pipe plug                                       | *                       | *               | *                 | *             | 3           |   |
| 15       | Flapper valve assembly -Buna N                  |                         | 1674-000-90     | 1674-000-90       | 1674-000-90   | 1674-000-90 | 1 |
|          |                                                 | -Viton                  | 1674-000-91     | 1674-000-91       | 1674-000-91   | 1674-000-91 |   |
| 16       | Suction plate                                   | 1501-000-01             | 1501-000-01     | 1501-000-01       | 1501-000-01   | 1           |   |
| 17       | Fastener                                        | *                       | *               | *                 | *             | 2           |   |
| 18       | Foot                                            | 1506-000-00             | 1506-000-00     | 1506-000-00       | 1506-000-00   | 1           |   |
| 19       | Washer                                          | *                       | *               | *                 | *             | 2           |   |

(\* ) Standard hardware item, available locally; (†) Seal head and seat available as set only.

**For Repair Parts, contact dealer where pump was purchased.**

Please provide following information:

- Model number
- Serial number (if any)
- Part description and number as shown in parts list



**Figure 2 – Repair Parts Illustration**

**Repair Parts List**

| Ref. No. | Description                                    | Part Number for Models: |               |               | Qty.        |   |
|----------|------------------------------------------------|-------------------------|---------------|---------------|-------------|---|
|          |                                                | 2762-95 (1 1/2HP)       | 2761-95 (2HP) | 2767-95 (3HP) |             |   |
| 1        | Motor                                          | -1 Phase ODP            | 1626-012-00   | 1626-024-00   | 1626-026-00 | 1 |
|          |                                                | -3 Phase ODP            | 1626-016-00   | 1626-025-00   | 1626-027-00 |   |
|          |                                                | -1 Phase TEFC           | 1626-305-00   | 1626-306-00   | —           |   |
|          |                                                | -3 Phase TEFC           | 1626-311-00   | 1626-312-00   | —           |   |
| 3        | Handle                                         | 1515-000-00             | 1515-000-00   | 1515-000-00   | 1           |   |
| 4        | Fastener                                       | *                       | *             | *             | 2           |   |
| 5        | Adapter                                        | 1499-000-01             | 1499-000-01   | 1499-000-01   | 1           |   |
| 6        | Fastener                                       | *                       | *             | *             | 12          |   |
| 7        | Casing seal                                    | 1478-000-00             | 1478-000-00   | 1478-000-00   | 1           |   |
| 8&9      | † Shaft seal assembly                          | -Buna N                 | 1640-161-90   | 1640-161-90   | 1640-161-90 | 1 |
|          |                                                | -Viton                  | 1640-161-91   | 1640-161-91   | 1640-161-91 |   |
| 10       | Impeller shim set                              | 1657-000-90             | 1657-000-90   | 1657-000-90   | 1           |   |
| 11       | Impeller                                       | -1 Phase                | 2820-011-09   | 2820-011-0B   | 1496-002-02 | 1 |
|          |                                                | -3 Phase                | 2820-011-0A   | 2820-011-0C   | 1496-002-02 | 1 |
| 12       | Impeller fastener                              | 1784-001-00             | 1784-001-00   | 1784-001-00   | 1           |   |
| 13       | Casing kit, (includes Ref. No. 6, 14, 15, &16) | -w/ Buna Flapper Valve  | 2760-001-B5   |               |             |   |
|          |                                                | -w/ Viton Flapper Valve | 2760-001-V5   |               |             |   |
|          |                                                |                         |               |               |             |   |
| 14       | Pipe plug                                      | *                       | *             | *             | 3           |   |
| 15       | Flapper valve assembly -Buna N                 |                         | 1683-000-90   | 1683-000-90   | 1683-000-90 | 1 |
|          |                                                | -Viton                  | 1683-000-91   | 1683-000-91   | 1683-000-91 |   |
| 16       | Suction plate                                  | 1487-000-01             | 1487-000-01   | 1487-000-01   | 1           |   |
| 17       | Fastener                                       | *                       | *             | *             | 2           |   |
| 18       | Foot                                           | 1506-000-00             | 1506-000-00   | 1506-000-00   | 1           |   |
| 19       | Washer                                         | *                       | *             | *             | 2           |   |

(\*) Standard hardware item, available locally; (†) Seal head and seat available as set only.