

# 1"-2" Self-Priming Chemical Pumps



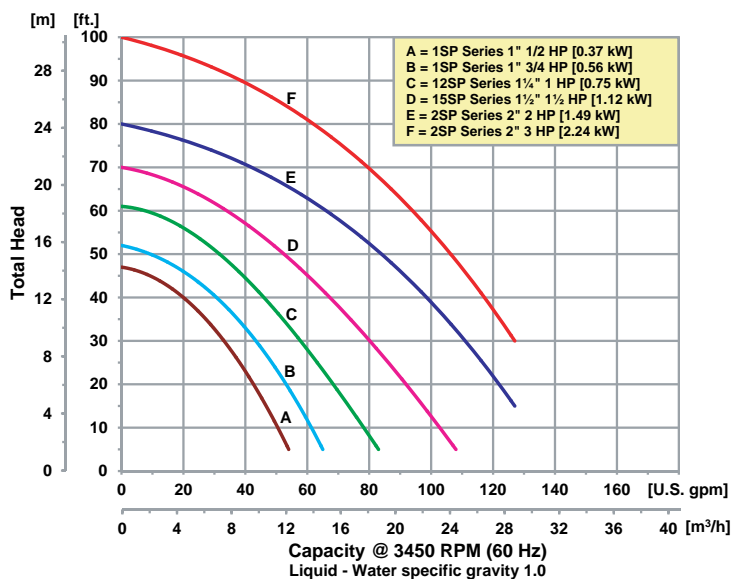
Model  
1SP07C-3P

Model  
2SP30C-3P

- **Cast Iron Construction with EPDM/EPR Seals**
- **Easy Cleanout Pull From Rear Design**
- **1" to 2" NPT Port Sizes**
- **Maximum Temperature 180° F**
- **Maximum Flow 130 GPM**
- **Maximum Head 100 Ft. (43 PSI)**
- **Self-Priming up to 20 Feet with Built-in Check Valve**
- **Self-Cleaning, Clog Resistant Impeller**
- **1/2 to 3 HP 56J Dual Cycle 50/60 Hz Single or Three Phase TEFC Motors**
- **Motors Feature 303 Stainless Steel Shaft**

This line of AMT Self-Priming Centrifugal pumps is designed for industrial and commercial applications requiring high volume liquid transfer, waste water drainage and chemical processing. These pumps feature a self-cleaning clog resistant impeller capable of handling up to 3/8" diameter semi-solid and EPDM/EPR seals for liquid chemical transfer with specific gravities up to 1.3. (Verify chemical capability with liquids) Built-in check valve enables consistent self-priming to 20 feet. Dual volute design reduces radial load on motor. Pumps feature Dual cycle 50/60 Hz TEFC motors.

Performance of Self-Priming Centrifugal Pumps



400 Spring Street • Royersford, PA 19468 USA

[www.amtpump.com](http://www.amtpump.com) • 888-amt-pump (268-7867)

For use with nonflammable liquids compatible with pump component materials. Viton® and Teflon® are registered trademarks of E. I. DuPont.

## Pump Dimensional & Specification Data

| Model      | Curve | HP | PH | ENC  | Voltage @ 60 Hz + | Full Load Amps | SUC* | DIS* | L**         | W**         | H           | Ship Wt. (Lbs.) | Maximum Solids Handling Capacity |
|------------|-------|----|----|------|-------------------|----------------|------|------|-------------|-------------|-------------|-----------------|----------------------------------|
| 1SP05C-1P  | A     | ½  | 1  | TEFC | 115-208/230       | 9/5            | 1    | 1    | 18.0 [45.7] | 9.3 [23.6]  | 9.3 [23.6]  | 55              | 1/4"                             |
| 1SP05C-3P  |       |    | 3  | TEFC | 208-230/460       | 3/2            | 1    | 1    | 17.3 [43.9] | 9.3 [23.6]  | 9.3 [23.6]  | 52              |                                  |
| 1SP07C-1P  | B     | ¾  | 1  | TEFC | 115-208/230       | 9/5            | 1    | 1    | 18.5 [47.0] | 9.3 [23.6]  | 9.3 [23.6]  | 60              |                                  |
| 1SP07C-3P  |       |    | 3  | TEFC | 208-230/460       | 3/2            | 1    | 1    | 18.0 [45.7] | 9.3 [23.6]  | 9.3 [23.6]  | 53              |                                  |
| 12SP10C-1P | C     | 1  | 1  | TEFC | 115-208/230       | 12/6           | 1¼   | 1¼   | 18.8 [47.7] | 9.3 [23.6]  | 9.3 [23.6]  | 61              | 3/8"                             |
| 12SP10C-3P |       |    | 3  | TEFC | 208-230/460       | 4/2            | 1¼   | 1¼   | 17.3 [43.9] | 9.3 [23.6]  | 9.3 [23.6]  | 57              |                                  |
| 15SP15C-1P | D     | 1½ | 1  | TEFC | 115-208/230       | 22/11          | 1½   | 1½   | 20.5 [52.0] | 11.0 [27.9] | 11.0 [28.0] | 83              | 1/2"                             |
| 15SP15C-3P |       |    | 3  | TEFC | 208-230/460       | 6/3            | 1½   | 1½   | 20.3 [51.5] | 11.0 [27.9] | 11.0 [28.0] | 73              |                                  |
| 2SP20C-1P  | E     | 2  | 1  | TEFC | 115-208/230       | 28/14          | 2    | 2    | 21.3 [54.1] | 11.0 [27.9] | 11.0 [28.0] | 85              |                                  |
| 2SP20C-3P  |       |    | 3  | TEFC | 208-230/460       | 7/4            | 2    | 2    | 20.8 [52.8] | 11.0 [27.9] | 11.0 [28.0] | 78              |                                  |
| 2SP30C-1P  | F     | 3  | 1  | TEFC | 115-208/230       | 16             | 2    | 2    | 21.8 [55.4] | 11.0 [27.9] | 11.0 [28.0] | 94              |                                  |
| 2SP30C-3P  |       |    | 3  | TEFC | 208-230/460       | 8/4            | 2    | 2    | 21.3 [54.1] | 11.0 [27.9] | 11.0 [28.0] | 82              |                                  |

(\*) Standard NPT (Female) pipe thread.

(\*\*) This dimension may vary due to motor manufacturer's specifications.

(+) 3-Phase motors can also operate on 50 Hz. (This will change full load amps, service factor and RPM)

NOTE: Dimensions are in inches (centimeters) and have a tolerance of ± 1/4".

NOTE: Electric supply for ALL motors must be within ±10% of nameplate voltage rating (e.g. 230V ±10%= 207 to 253).

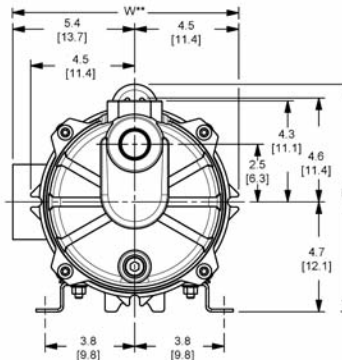
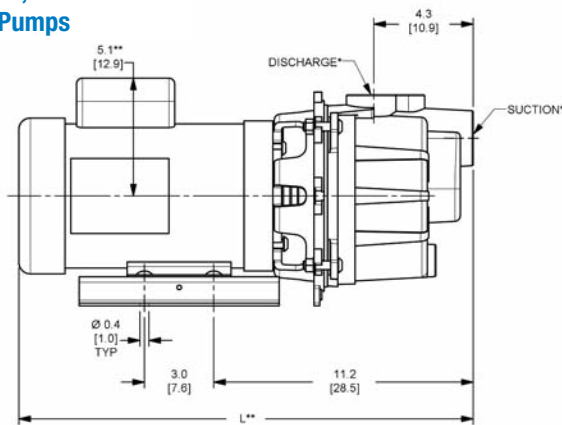
**Do Not Use With Petroleum Based Liquids!**

### Standard Features

- Cast Iron Construction with EPDM/EPR Mechanical Seals
- Built-in Check Valve for Fast Priming
- NEMA 56J Motors with Stainless Steel Shafts
- Maximum Working Pressure 125 PSI
- Available in Dual 50/60 Hz TEFC, Single or Three Phase Motors
- Self-priming to 20 Ft.
- Self-cleaning, Clog Resistant Impellers
- **Designed to handle liquids of specific gravities up to 1.3**
- **Do Not Use With Petroleum Based Liquids!**
- QSP—Quick Ship for Many Models

**Hazardous Duty/Explosion Proof motors available from stock ranging from 1 to 10 HP; CALL FOR QUOTATION & LEAD TIME!**

#### 1", 1-1/4" NPT Pumps



#### 1-1/2", 2" NPT Pumps

