

Model 12ES15C-3P



Model 07ES05C-3P

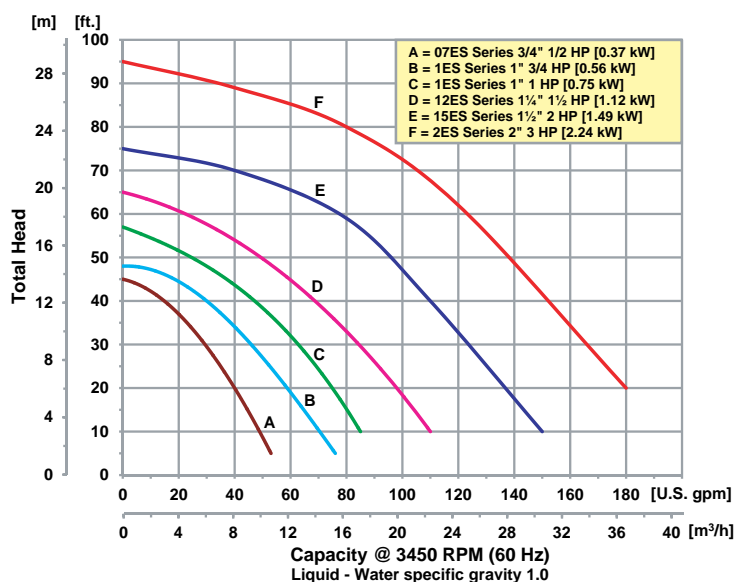
Straight Centrifugal End Suction Chemical Pump

- **Cast Iron Construction**
- **EPDM/EPR Mechanical Seal and O-Rings**
- **Discharge Port Rotates in 45° Increments**
- **Solids Handling, Clog Resistant Impeller**
- **1/2 to 3 HP Dual Cycle 50/60 Hz TEFC 56J NEMA Single or Three Phase Motors**
- **3/4" to 2" NPT Sizes**
- **Maximum Working Pressure 125 PSI**
- **Maximum Flow 180 GPM**
- **Maximum Head 95 Ft. (41 PSI)**
- **Pull-From-Rear Design Permits Easy Servicing Without Disturbing Piping**
- **Multiple 1/2" NPT Drain Ports**

AMT Solids Handling End Suction Centrifugal pumps are designed for continuous-duty OEM, Industrial/Commercial and General Service applications including circulation, chemical processing, liquid transfer and cooling.

Pull-from-rear design for easy service without disturbing any piping. Self-cleaning impellers to prevent clogging and handles solids up to 3/8" diameter depending on the model. Pumps are close coupled to Totally Enclosed Fan Cooled (TEFC) motors. **Pumps are not self-priming and require flooded suction.**

Performance of Straight Centrifugal End Suction Pumps



400 Spring Street • Royersford, PA 19468 USA

www.amtpump.com • 888-amt-pump (268-7867)

For use with nonflammable liquids compatible with pump component materials. Viton® and Teflon® are registered trademarks of E. I. DuPont.

Pump Dimensional & Specification Data

Model	Curve	HP	PH	ENC	Voltage @ 60 Hz +	Full Load Amps	SUC*	DIS*	A**	B	C**	L**	W**	H	Ship Wt. (Lbs.)
07ES05C-1P	A	1/2	1	TEFC	115-208/230	9/5	3/4	3/4	5.4 [13.8]	2.6 [6.7]	5.1 [12.9]	13.9 [35.3]	10.1 [25.7]	9.9 [25.1]	47
07ES05C-3P			3	TEFC	208-230/460	3/2			5.4 [13.8]	2.6 [6.7]	N/A	13.2 [33.5]	10.1 [25.7]	9.5 [24.1]	43
1ES07C-1P	B	3/4	1	TEFC	115-208/230	9/5	1	1	5.4 [13.8]	2.6 [6.7]	5.1 [12.9]	14.4 [36.5]	10.1 [25.7]	9.9 [25.1]	52
1ES07C-3P			3	TEFC	208-230/460	3/2			5.4 [13.8]	2.6 [6.7]	N/A	13.9 [35.3]	10.1 [25.7]	9.5 [24.1]	44
1ES10C-1P	C	1	1	TEFC	115-208/230	12/6	1	1	5.4 [13.8]	2.6 [6.7]	5.1 [12.9]	14.6 [37.1]	10.1 [25.7]	9.9 [25.1]	53
1ES10C-3P			3	TEFC	208-230/460	4/2			5.4 [13.8]	2.6 [6.7]	N/A	13.2 [33.5]	10.1 [25.7]	9.5 [24.1]	48
12ES15C-1P	D	1½	1	TEFC	115-208/230	22/11	1¼	1¼	5.4 [13.8]	3.2 [8.3]	5.1 [12.9]	15.6 [39.6]	10.3 [26.1]	9.9 [25.1]	64
12ES15C-3P			3	TEFC	208-230/460	6/3			5.4 [13.8]	3.2 [8.3]	N/A	15.4 [39.1]	10.3 [26.1]	9.8 [24.9]	54
15ES20C-1P	E	2	1	TEFC	115-208/230	28/14	1½	1½	5.4 [13.8]	3.2 [8.3]	5.0 [12.7]	16.3 [41.4]	10.3 [26.1]	9.8 [24.9]	67
15ES20C-3P			3	TEFC	208-230/460	7/4			5.4 [13.8]	3.2 [8.3]	N/A	15.9 [40.4]	10.3 [26.1]	9.8 [24.9]	59
2ES30C-1P	F	3	1	TEFC	115-208/230	16	2	2	5.4 [13.8]	3.2 [8.3]	5.0 [12.7]	16.8 [42.6]	10.3 [26.1]	9.8 [24.9]	75
2ES30C-3P			3	TEFC	208-230/460	8/4			5.4 [13.8]	3.2 [8.3]	N/A	16.4 [41.6]	10.3 [26.1]	9.8 [24.9]	63

(*) Standard NPT (Female) pipe thread.

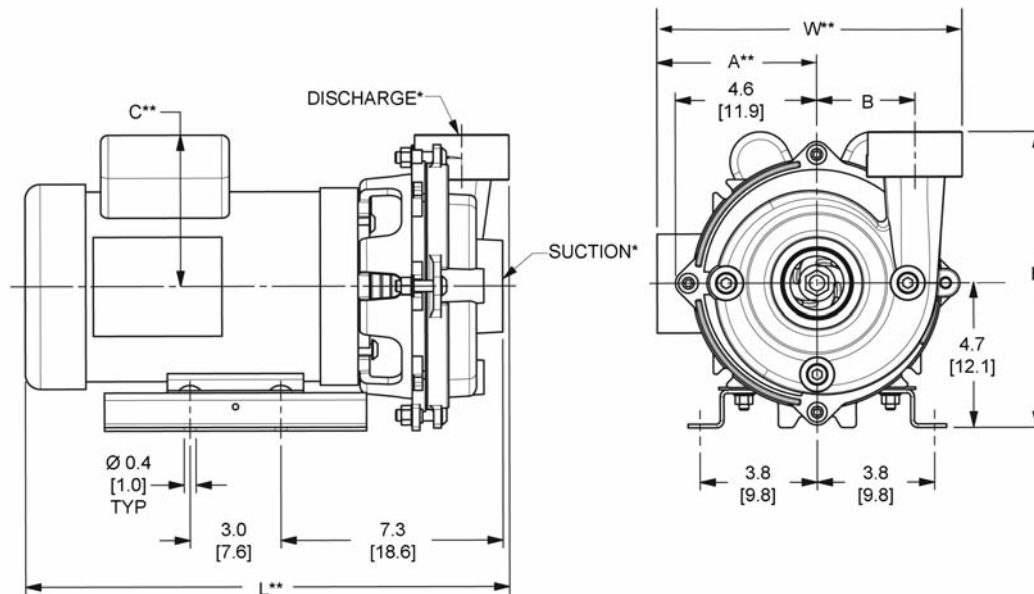
(**) This dimension may vary due to motor manufacturer's specifications.

(+) 3-Phase motors can also operate on 50 Hz. (This will change full load amps, service factor and RPM)

NOTE: Dimensions are in inches (centimeters) and have a tolerance of ± 1/4".

NOTE: Electric supply for ALL motors must be within ±10% of nameplate voltage rating (e.g. 230V ±10%= 207 to 253).

Maximum Solids Handling Capacity: 3/8" Diameter



Standard Features

- Cast Iron Construction
- EPDM/EPR Mechanical Seal and O-rings
- 303 Stainless Steel Motor Shaft
- NEMA 56J TEFC Single or Three Phase Motors
- NEMA Dual Cycle 50/60 Hz Base Mounted Motor
- Self-cleaning Impeller
- Discharge Rotates in 45° Increments
- Maximum Working Pressure 125 PSI
- Maximum Temperature 180° F
- Front Drain Plugs
- QSP—Quick Ship Pump for Many Models

**Hazardous Duty/Explosion Proof motors available from stock ranging from 1 to 10 HP;
CALL FOR QUOTATION & LEAD TIME!**