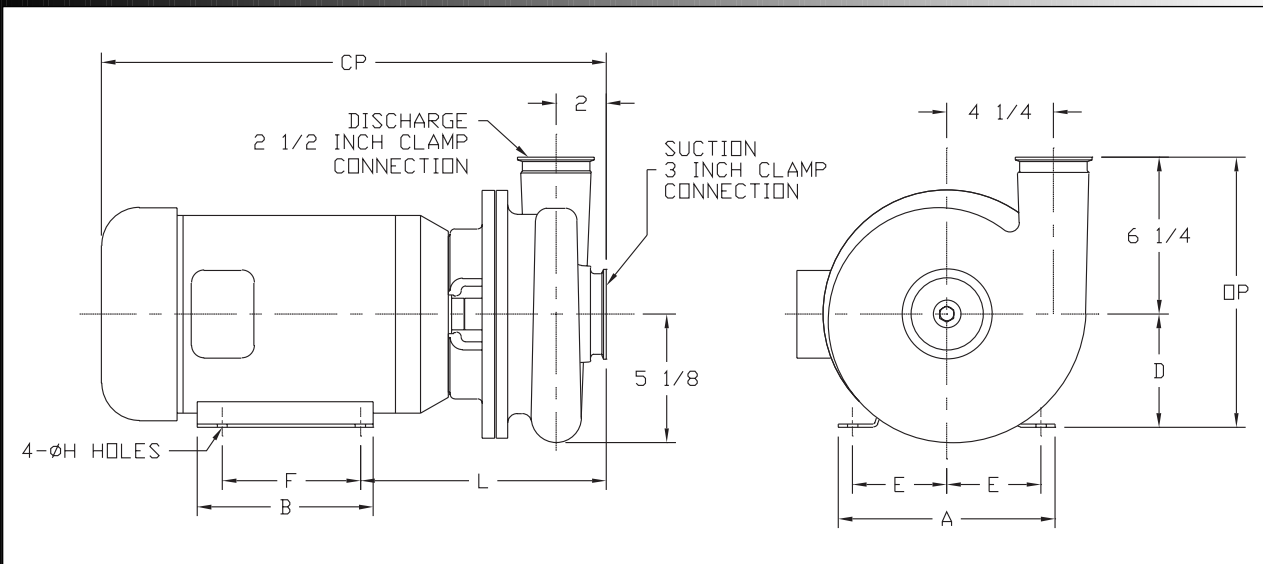




Ampco Centrifugal Pumps

Data Sheet

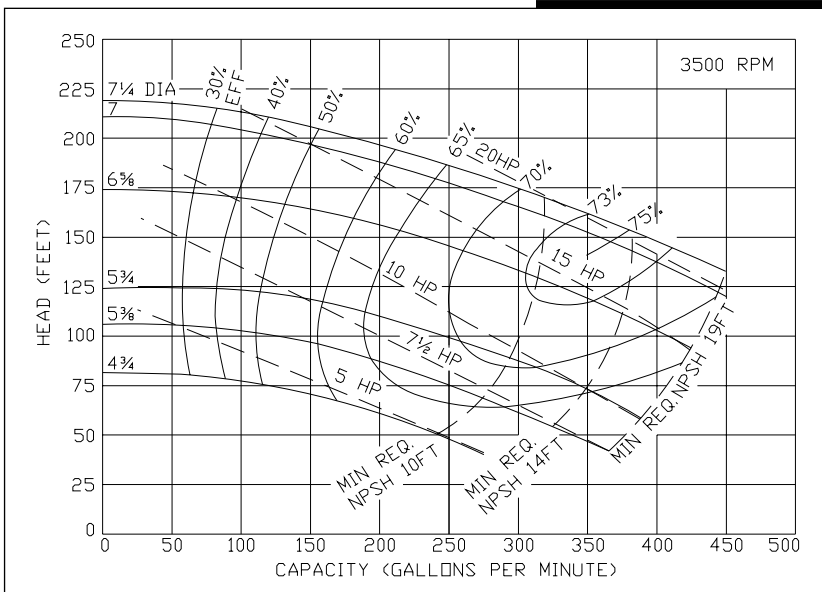
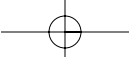
Model MC2/MCH2 3x2¹/₂



	TEFC MOTOR			DIMENSIONS IN INCHES (For Reference Only)									APPROX. WEIGHT (LBS)
	HP	RPM	FRAME	A (typ)	B (typ)	D	E	F	H	L	CP	OP	
MC2	2	1750	145JM	6-1/2	6	3-1/2	2-3/4	5	11/32	9-7/32	17-17/32	9-3/4	92
MC2	3	1750	182JM	8-5/8	6-1/2	4-1/2	3-3/4	4-1/2	13/32	9-27/32	18-29/32	10-3/4	127
MC2	5	3500	184JM	8-5/8	6-1/2	4-1/2	3-3/4	4-1/2	13/32	9-27/32	20-7/16	10-3/4	121
MC2	7-1/2	3500	184JM	8-5/8	6-1/2	4-1/2	3-3/4	5-1/2	13/32	9-27/32	21-15/16	10-3/4	140
MC2	10	3500	215JM	9-1/2	8	5-1/4	4-1/4	7	13/32	10-27/32	21-15/16	11-1/2	179
MC2	15	3500	215JM	9-1/2	8	5-1/4	4-1/4	7	13/32	10-27/32	23-1/16	11-1/2	202
MCH2	20	3500	256JM	11-1/2	11-1/2	6-1/4	5	10	17/32	12-3/32	26-15/16	12-1/2	228

MATERIAL SPECIFICATIONS

PART NAME	STAINLESS STEEL
Casing & Cover	316L Stainless
Impeller	316L Stainless
Motor Shaft	Steel
Shaft Sleeve	316L Stainless
Adapter	Cast Iron



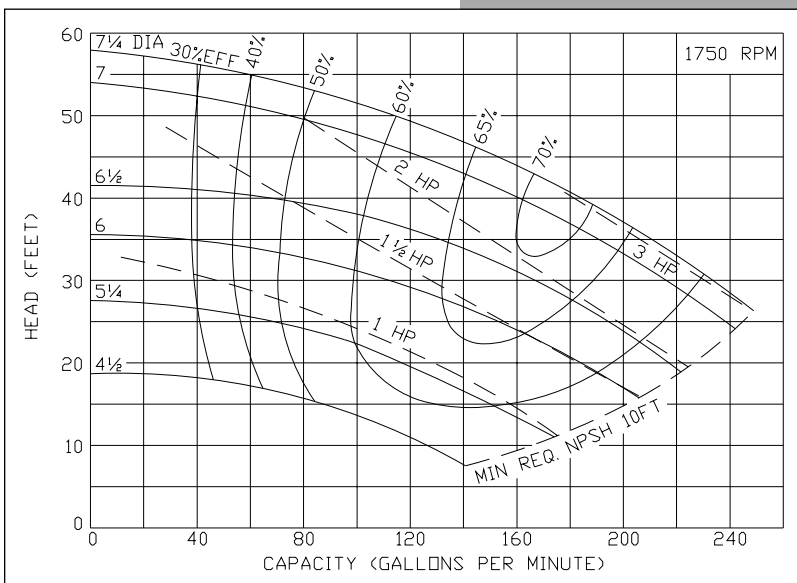
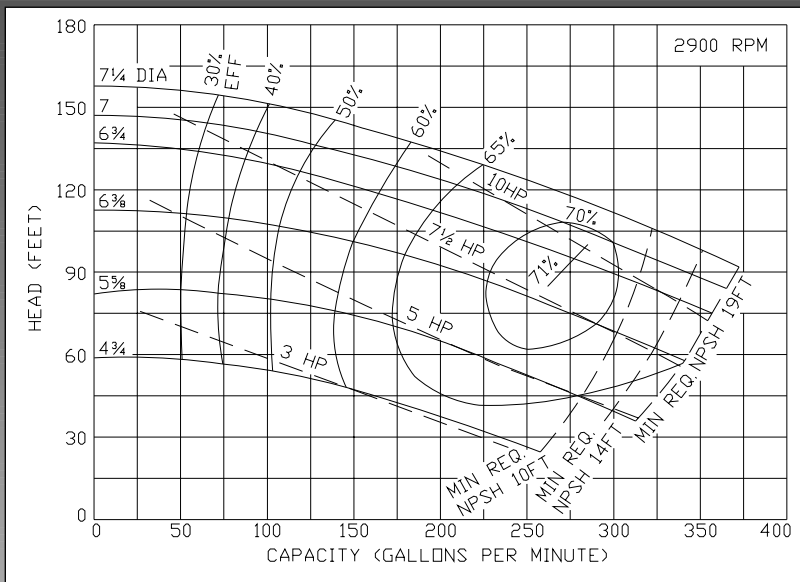
Ampco Centrifugal Pumps

Model MC2/MCH2
3x2 1/2

Curves show approximate characteristics based on clear 68° water. Rated point is guaranteed.

MC2/MCH2 pumps are in conformance with 3A sanitary standards for centrifugal pumps for milk and milk products, Number 02-09.

Standard M Series pumps have a 32RA (150 grit) finish, but they are also available in an unpolished version.



Ampco Pumps Company

4424 West Mitchell Street
Milwaukee, Wisconsin 53214
PHONE (414) 643-1852
FAX (414) 643-4452

