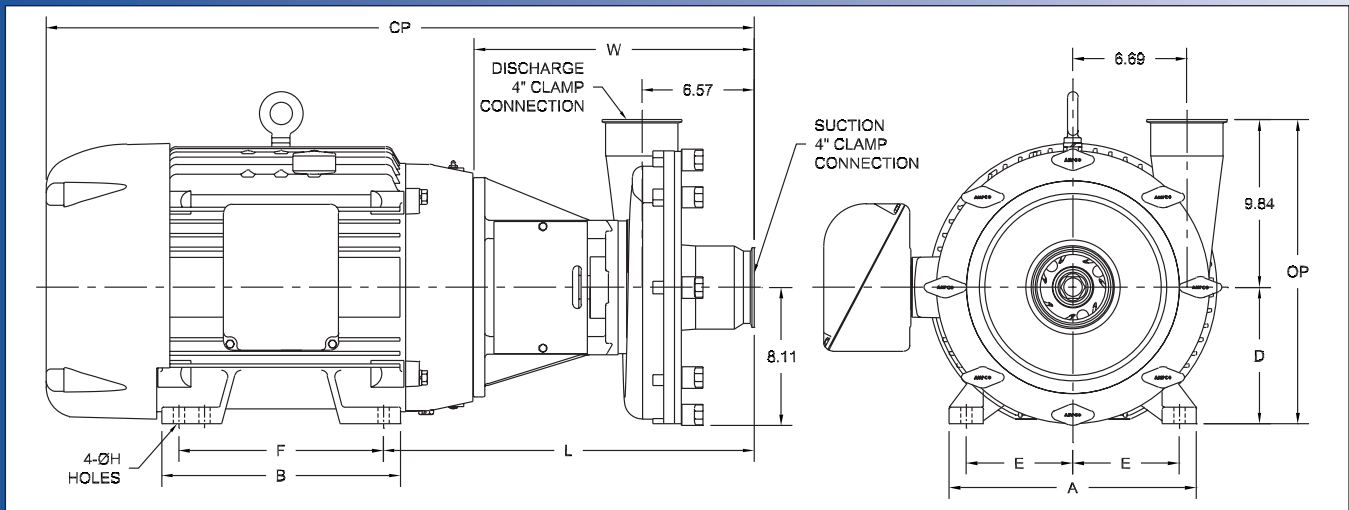
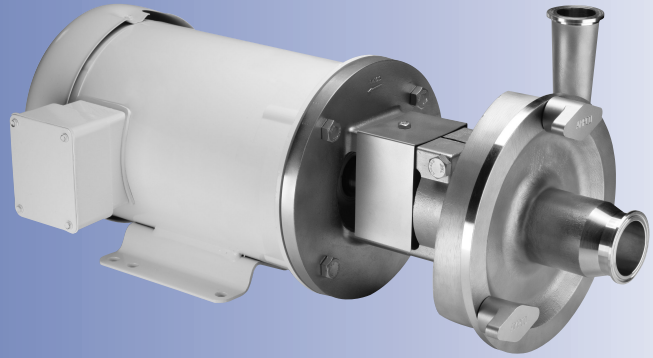


# Ampco Centrifugal Pumps

DATA SHEET

MODEL LD-X051 4X4



TEFC MOTOR			DIMENSIONS IN INCHES (For Reference Only)										APPROX WEIGHT (LBS)
HP	RPM	FRAME	A (typ)	B (typ)	D	E	F	ØH	L	W	CP	OP	
7-1/2	1750	213TC	9-1/2	8	5-1/4	4-1/4	5-1/2	13/32	20.09	15.84	31.10	15.09	300
10	1750	215TC	9-1/2	8	5-1/4	4-1/4	7	13/32	20.09	15.84	32.23	15.09	310
15	1750	254TC	11-1/2	11-1/2	6-1/4	5	8-1/4	17/32	20.59	15.84	33.41	16.09	424
20	1750	256TC	11-1/2	11-1/2	6-1/4	5	10	17/32	20.59	15.84	35.50	16.09	445
25	1750	284TC	12-3/4	12-3/4	7	5-1/2	9-1/2	17/32	20.59	15.84	37.18	16.84	578

## MATERIAL SPECIFICATIONS

PART NAME	STAINLESS STEEL
Casing, Cover & Impeller	316L Stainless
Stub Shaft	316L Stainless
Adapter	304 Stainless

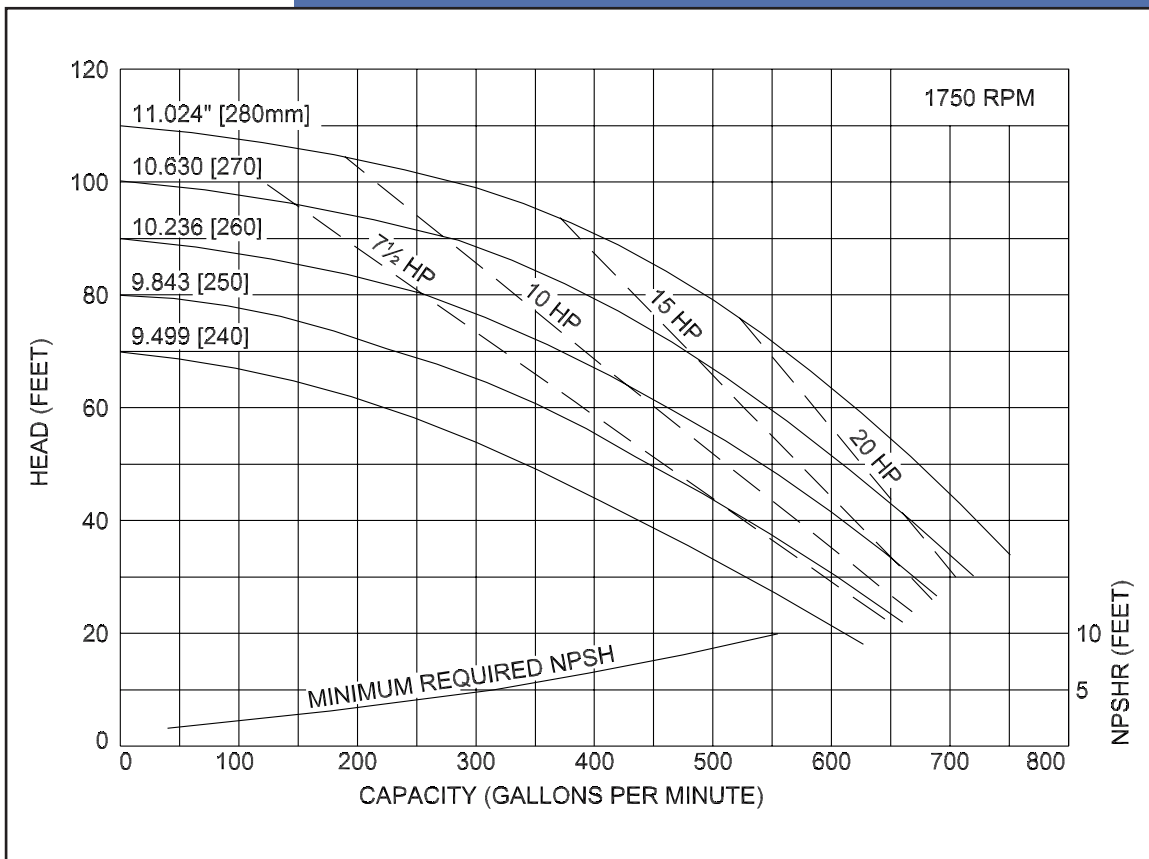


# Ampco Centrifugal Pumps

MODEL LD-X051 4X4

Curves show approximate characteristics based on clear 68° water.  
Rated point is guaranteed.

LD-Series pumps have standard stainless steel adapters and silicon carbide vs. carbon seals.



LD pumps are in conformance with 3A sanitary standards for centrifugal and positive rotary pumps for milk and milk products, Number 02-10.

LD-Series pumps have a standard 32RA (150 grit) finish, on all product contact surfaces.

## Ampco Pumps Company

Milwaukee, Wisconsin - PHONE (414) 643-1852 - FAX (414) 643-4452