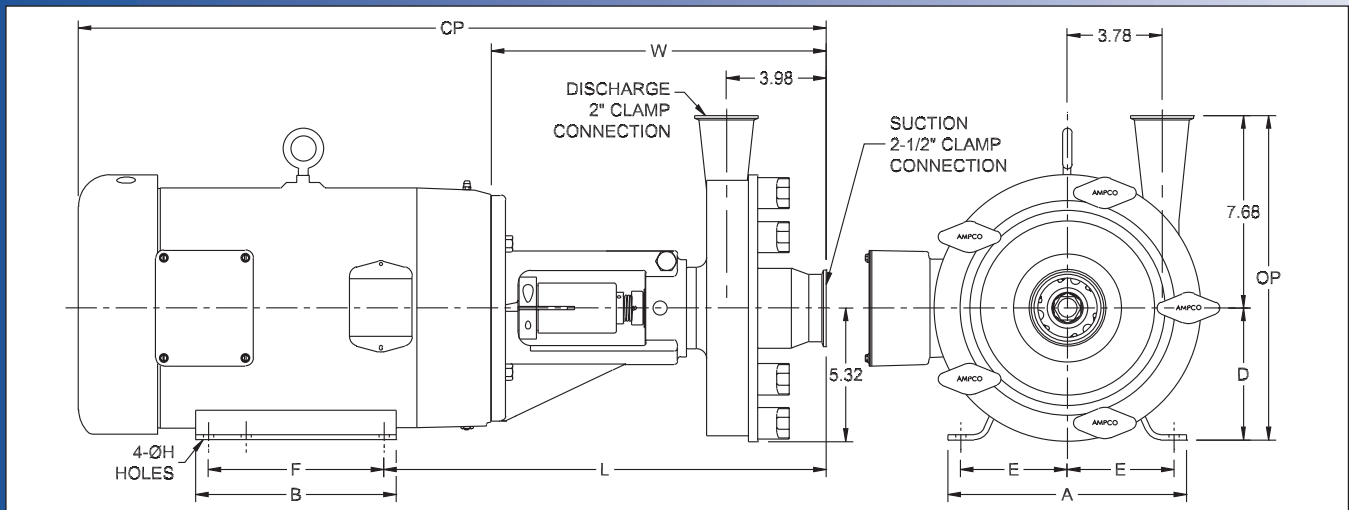
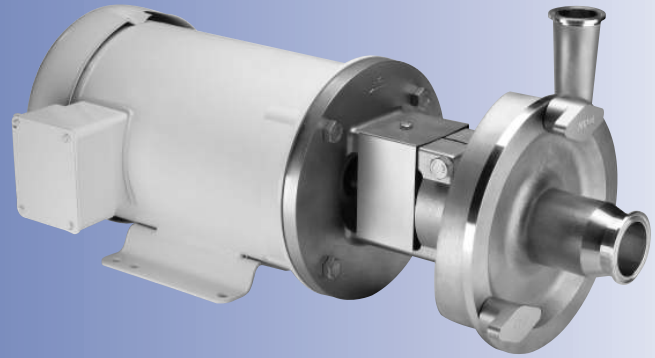


Ampco Centrifugal Pumps

DATA SHEET

MODEL LD-R41 2½X2
MODEL LD-R42 2½X2



TEFC MOTOR			DIMENSIONS IN INCHES (For Reference Only)										APPROX WEIGHT (LBS)
HP	RPM	FRAME	A (typ)	B (typ)	D	E	F	ØH	L	W	CP	OP	
1	1750	143TC	6-1/2	6	3-1/2	2-3/4	4	11/32	16.09	13.34	24.40	11.18	93
1-1/2	1750	145TC	6-1/2	6	3-1/2	2-3/4	5	11/32	16.09	13.34	24.40	11.18	100
2	1750	145TC	6-1/2	6	3-1/2	2-3/4	5	11/32	16.09	13.34	24.40	11.18	103
3	1750	182TC	8-5/8	6-1/2	4-1/2	3-3/4	4-1/2	13/32	16.85	13.35	27.04	12.18	133
7-1/2	3500	184TC	8-5/8	6-1/2	4-1/2	3-3/4	5-1/2	13/32	16.85	13.35	28.53	12.18	153
10	3500	215TC	9-1/2	8	5-1/4	4-1/4	7	13/32	17.60	13.35	28.62	12.93	187
15	3500	215TC	9-1/2	8	5-1/4	4-1/4	7	13/32	17.60	13.35	30.50	12.93	227
20	3500	256TC	11-1/2	11-1/2	6-1/4	5	10	17/32	18.27	13.52	34.65	13.93	354
25	3500	284TSC	12-3/4	12-3/4	7	5-1/2	9-1/2	17/32	18.27	13.52	36.65	14.68	447

MATERIAL SPECIFICATIONS

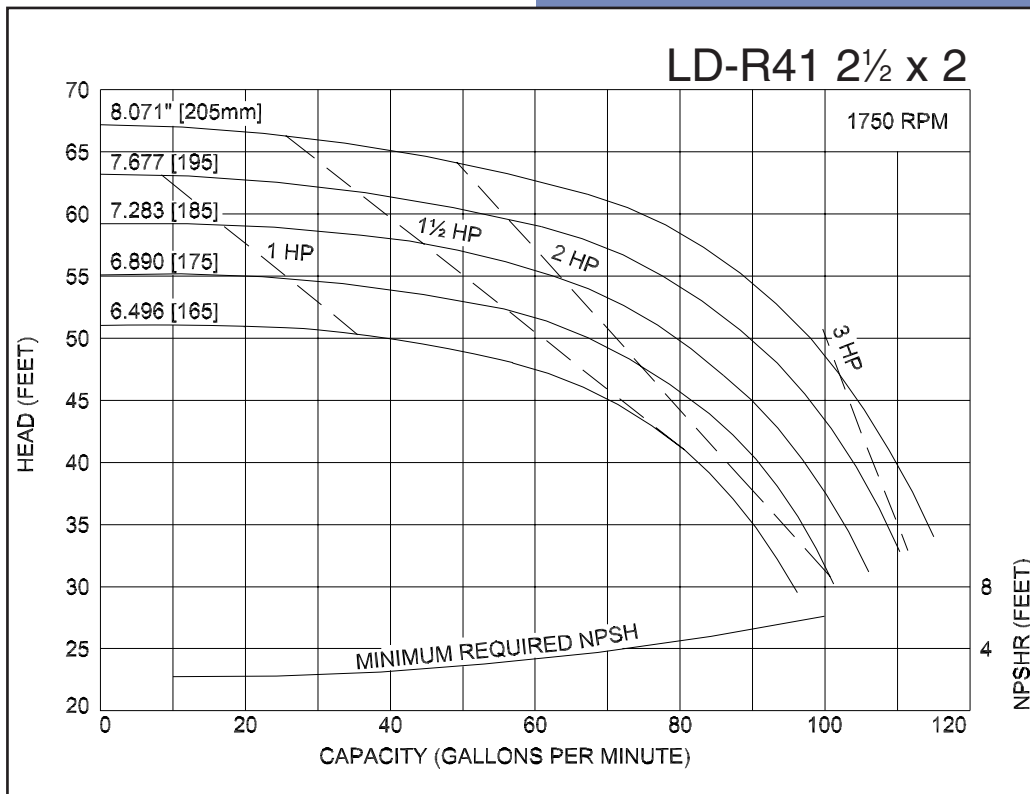
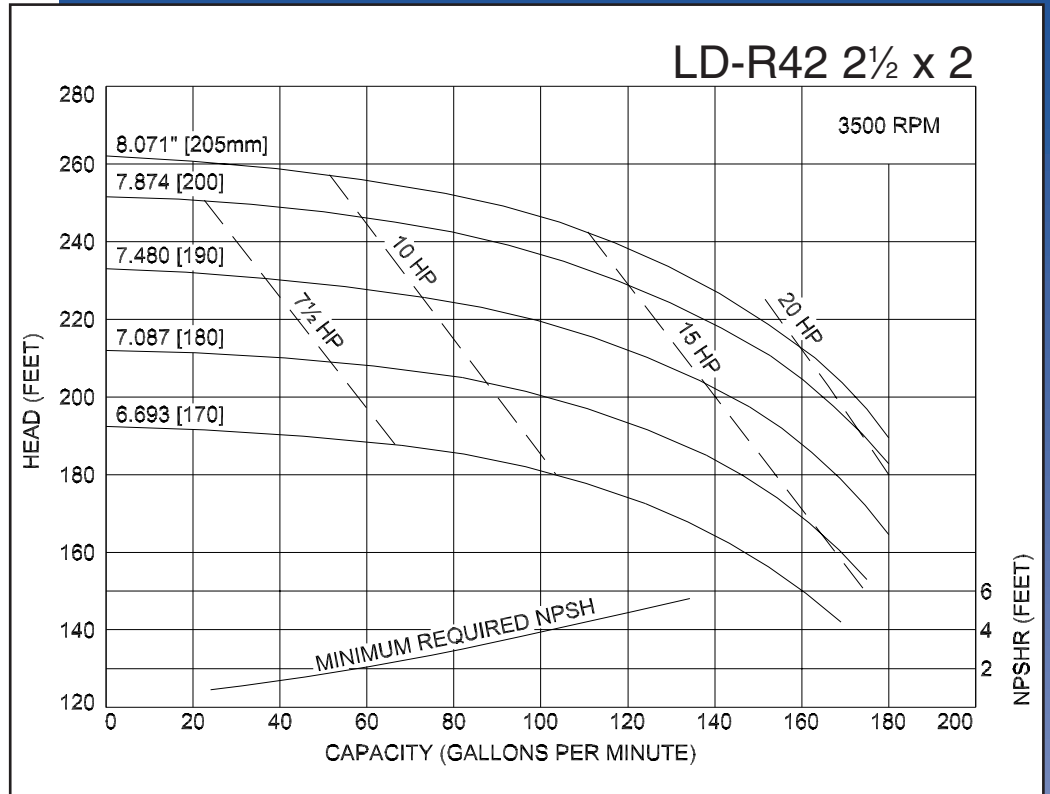
PART NAME	STAINLESS STEEL
Casing, Cover & Impeller	316L Stainless
Stub Shaft	316L Stainless
Adapter	304 Stainless

MODEL LD-R41 2½ X2
 MODEL LD-R42 2½ X2

Ampco Centrifugal Pumps

Curves show approximate characteristics based on clear 68° water.
 Rated point is guaranteed.

LD-Series pumps have standard stainless steel adapters and silicon carbide vs. carbon internal seals and carbon vs. ceramic external seals.



LD pumps are in conformance with 3A sanitary standards for centrifugal and positive rotary pumps for milk and milk products, Number 02-09.

LD-Series pumps have a standard 32RA (150 grit) finish, on all product contact surfaces.

Ampco Pumps Company

4424 West Mitchell Street
 Milwaukee, Wisconsin 53214
 PHONE (414) 643-1852
 FAX (414) 643-4452