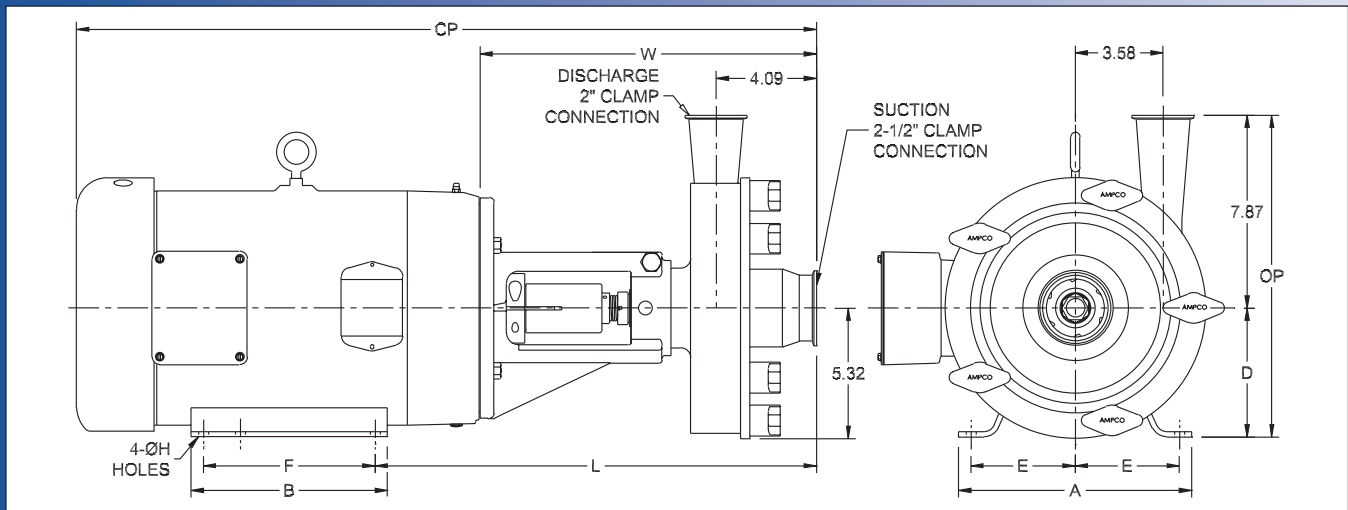
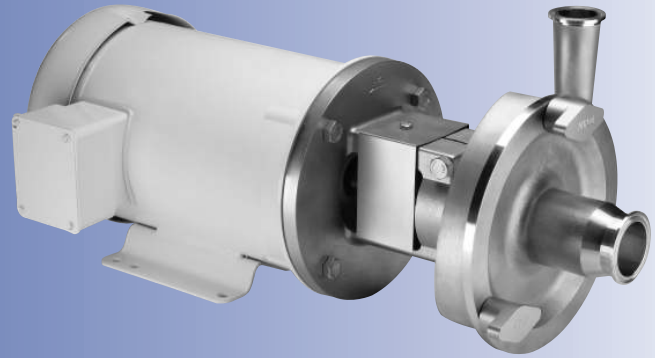


Ampco Centrifugal Pumps

DATA SHEET

MODEL LD-R132 2 1/2 X 2



TEFC MOTOR			DIMENSIONS IN INCHES (For Reference Only)										APPROX WEIGHT (LBS)
HP	RPM	FRAME	A (typ)	B (typ)	D	E	F	ØH	L	W	CP	OP	
7-1/2	3500	184TC	8-5/8	6-1/2	4-1/2	3-3/4	5-1/2	13/32	17.23	13.73	28.91	12.37	163
10	3500	215TC	9-1/2	8	5-1/4	4-1/4	7	13/32	17.98	13.73	29.00	13.12	193
15	3500	215TC	9-1/2	8	5-1/4	4-1/4	7	13/32	17.98	13.73	30.88	13.12	235
20	3500	256TC	11-1/2	11-1/2	6-1/4	5	10	17/32	18.64	13.89	35.02	14.12	360
25	3500	284TSC	12-3/4	12-3/4	7	5-1/2	9-1/2	17/32	18.64	13.89	37.02	14.87	453
30	3500	286TSC	12-3/4	12-3/4	7	5-1/2	11	17/32	18.64	13.89	37.02	14.87	475

MATERIAL SPECIFICATIONS

PART NAME	STAINLESS STEEL
Casing, Cover & Impeller	316L Stainless
Stub Shaft	316L Stainless
Adapter	304 Stainless

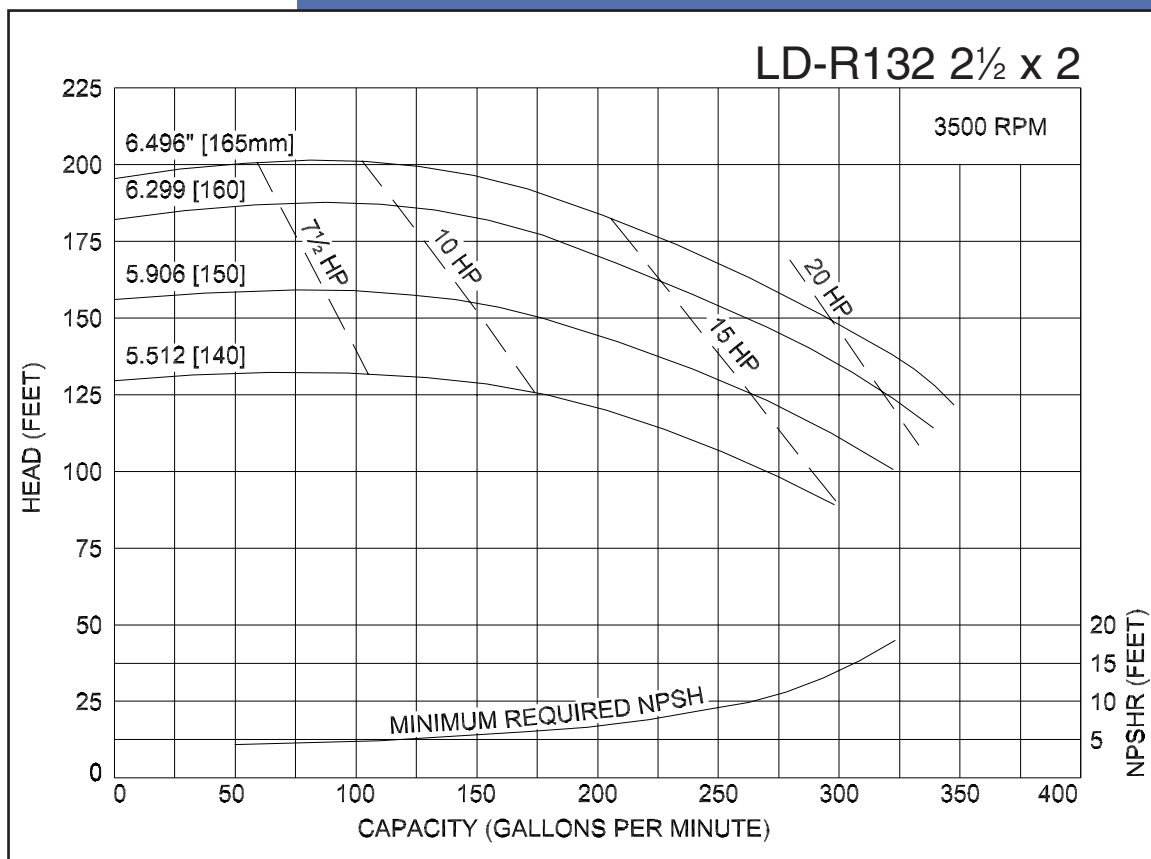


Ampco Centrifugal Pumps

MODEL LD-R132 2 1/2 X 2

Curves show approximate characteristics based on clear 68° water.
Rated point is guaranteed.

LD-Series pumps have standard stainless steel adapters and silicon carbide vs. carbon internal seals and carbon vs. ceramic external seals.



LD pumps are in conformance with 3A sanitary standards for centrifugal and positive rotary pumps for milk and milk products, Number 02-09.

LD-Series pumps have a standard 32RA (150 grit) finish, on all product contact surfaces.

Ampco Pumps Company

4424 West Mitchell Street - Milwaukee, Wisconsin 53214 - PHONE (414) 643-1852 - FAX (414) 643-4452