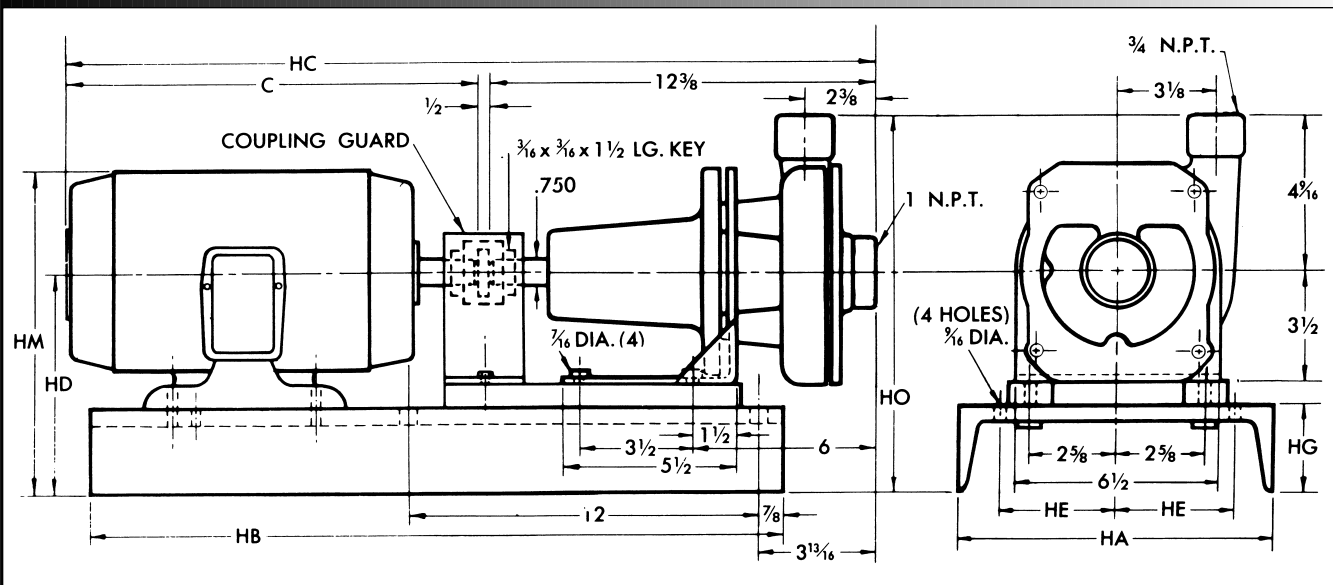
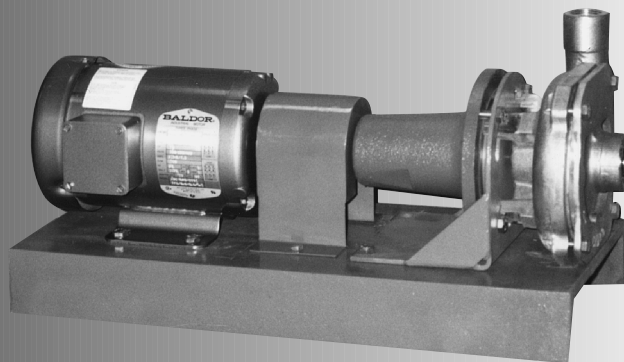




Ampco Centrifugal Pumps

Data Sheet

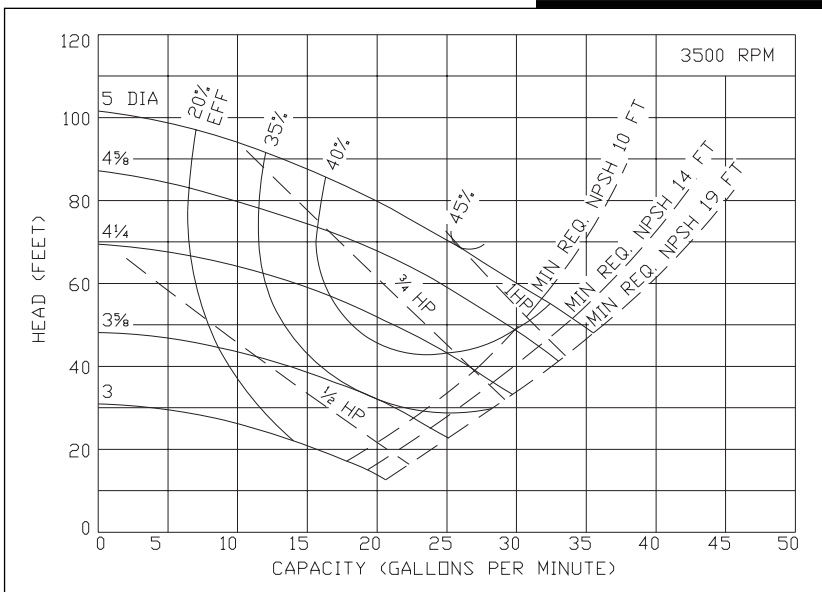
Model KP 1x^{3/4}
Stainless Steel



			DIMENSIONS IN INCHES (For Reference Only)								
TYPE	PUMP SIZE	FRAME SIZE	C	HA	HB	HC	HD	HE	HG	HM	HO
KP2	1 X 3/4	48	11-1/2	8	20	24-3/4	5-3/8	2-3/4	1-7/8	8-1/2	9-15/16
KP2	1 X 3/4	56 & 56H	12-1/2	8	20	25-3/8	5-3/8	2-3/4	1-7/8	8-31/32	9-15/16
KP2	1 X 3/4	56HZ, 143T, 145T	13-1/16	8	20	25-15/16	5-3/8	2-3/4	1-7/8	9-9/32	9-15/16
KP2	1 X 3/4	182T & 184T	15-3/8	10	22	28-1/4	7-1/8	3-3/4	2-5/8	11-3/4	11-11/16

MATERIAL SPECIFICATIONS

PART NAME	STAINLESS STEEL
Casing & Cover	316 Stainless
Cover	316 Stainless
Impeller	316 Stainless
Shaft	Steel
Frame	Cast Iron

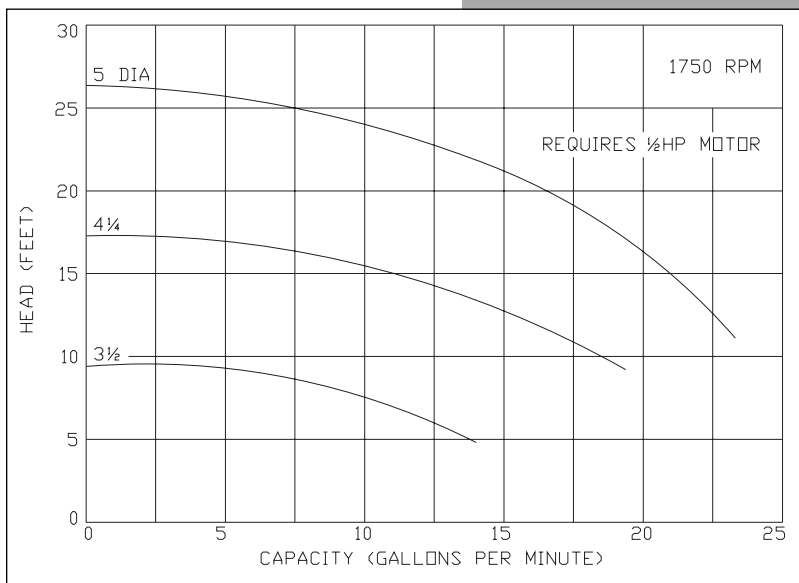
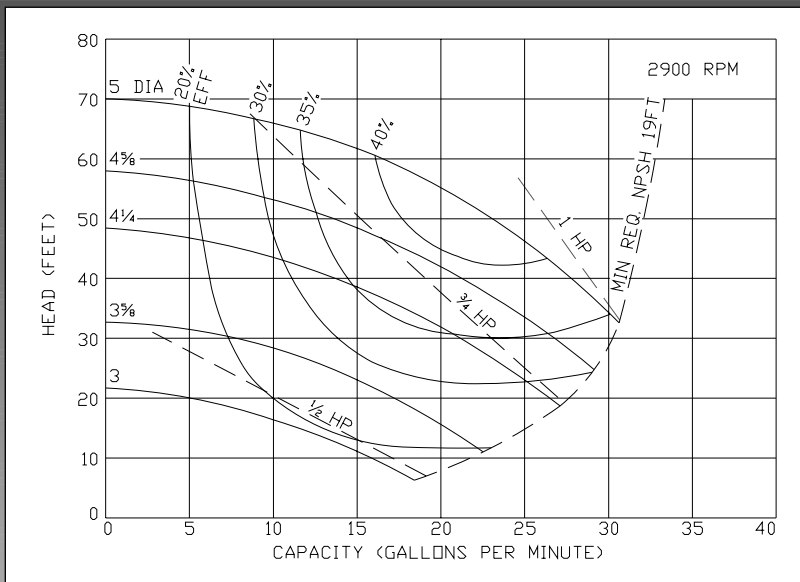


Ampco Centrifugal Pumps

Model KP 1x^{3/4}
Stainless Steel

Curves show approximate characteristics based on clear 68° water. Rated point is guaranteed.

Standard K Series pumps have threaded NPT connections.
Seal options include Type 21 and Type 9 with choice of sealing materials.



Ampco Pumps Company

4424 West Mitchell Street
Milwaukee, Wisconsin 53214
PHONE (414) 643-1852
FAX (414) 643-4452