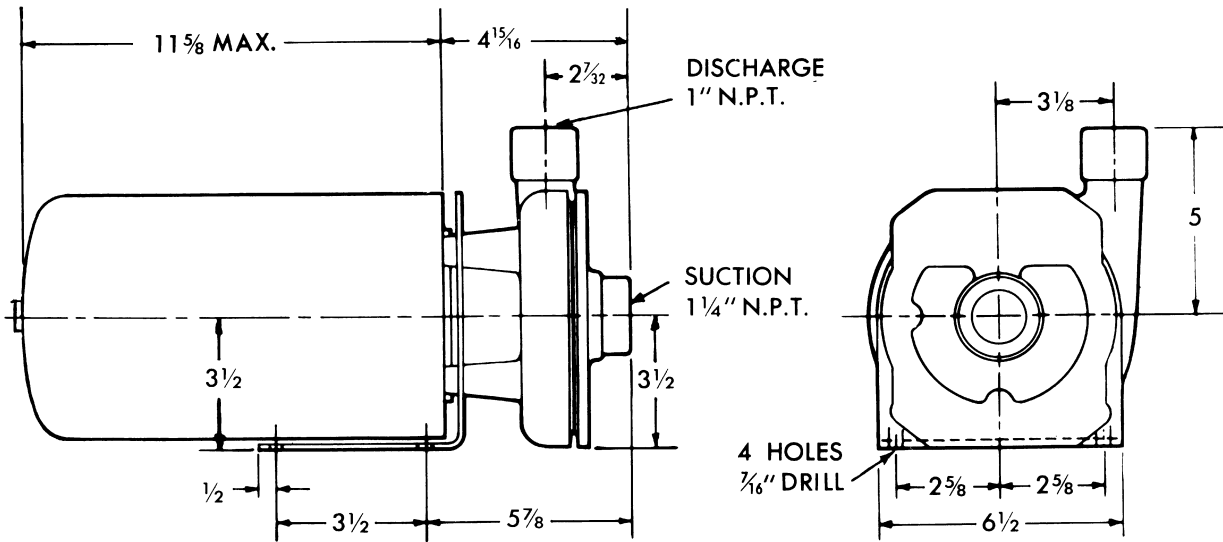
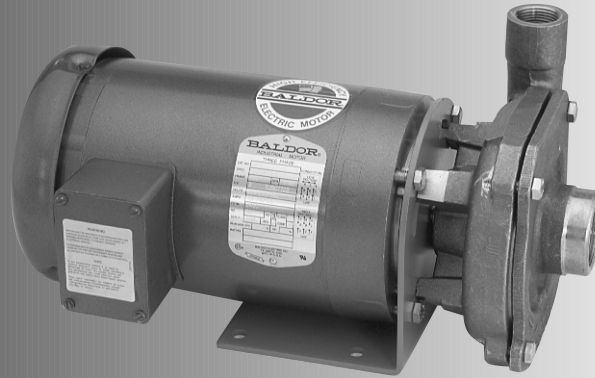




Ampco Centrifugal Pumps

Data Sheet

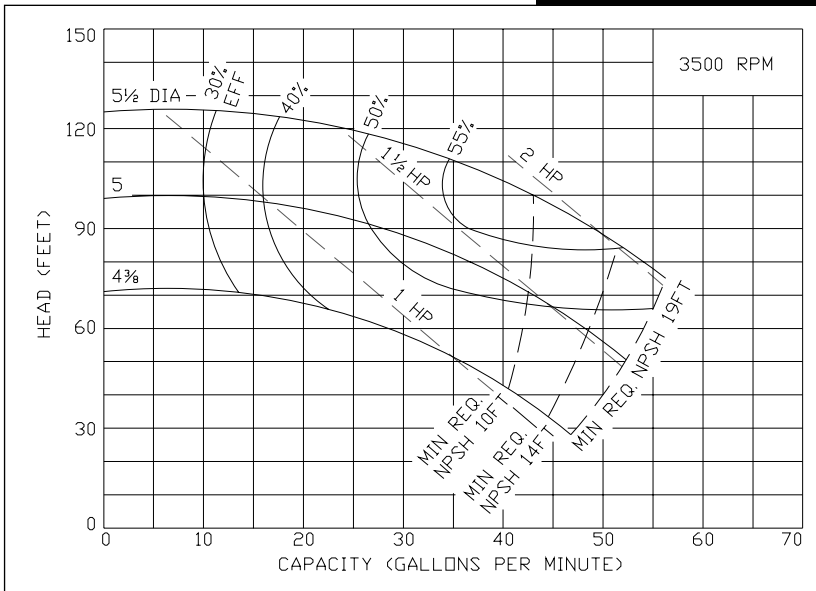
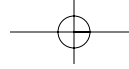
Model KC2 1 1/4 x 1



HP	FRAME	APPROX. WEIGHT (LBS)
1/2	56J	48
1	56J	50
1-1/2	56J	58
2	56J	63
3	56J	67

MATERIAL SPECIFICATIONS

PART NAME	NICKEL ALUMINUM BRONZE	STAINLESS STEEL
Casing	AMPCO® 483	316 Stainless
Cover	AMPCO® 483	316 Stainless
Impeller	AMPCO® 483	316 Stainless
Bracket	Steel	Steel

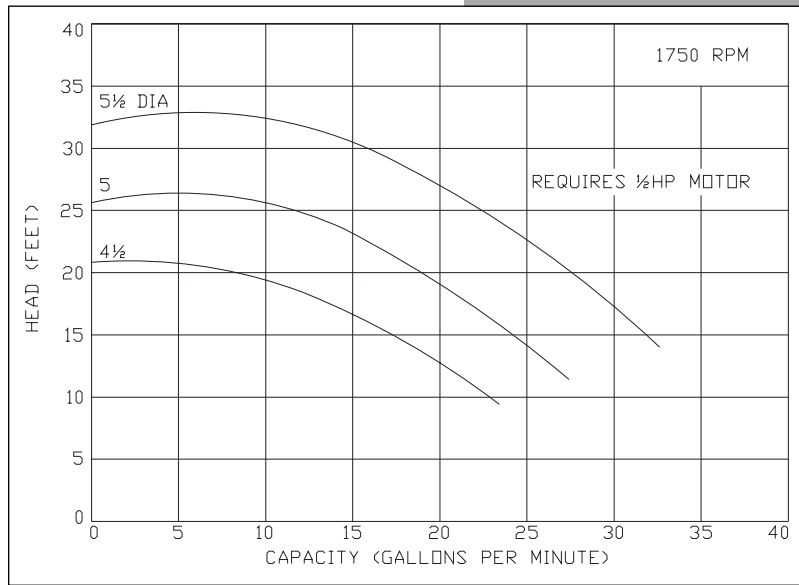
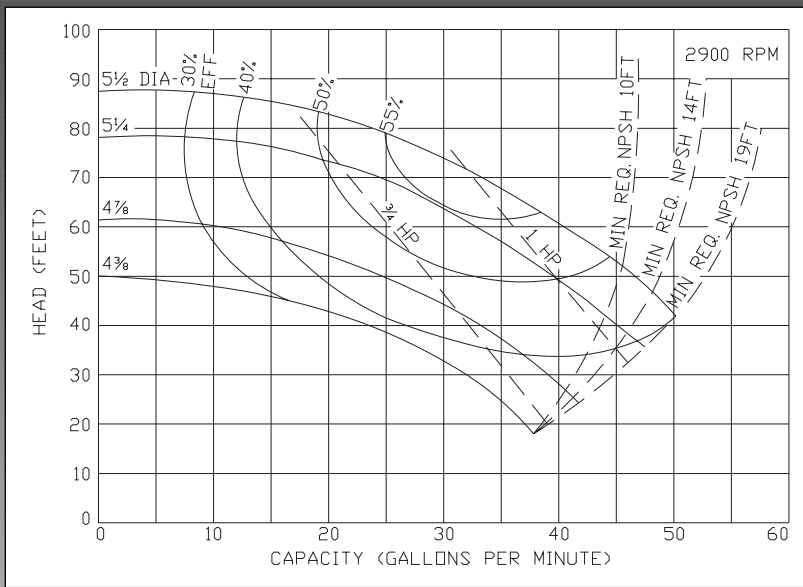


Ampco Centrifugal Pumps

Model KC2 1 1/4 x 1

Curves show approximate characteristics based on clear 68° water. Rated point is guaranteed.

Standard K Series pumps have threaded NPT connections and are mounted on 56J frame motors. Seal options include Type 21 and Type 9 with choice of sealing materials.



Ampco Pumps Company

4424 West Mitchell Street
 Milwaukee, Wisconsin 53214
 PHONE (414) 643-1852
 FAX (414) 643-4452

