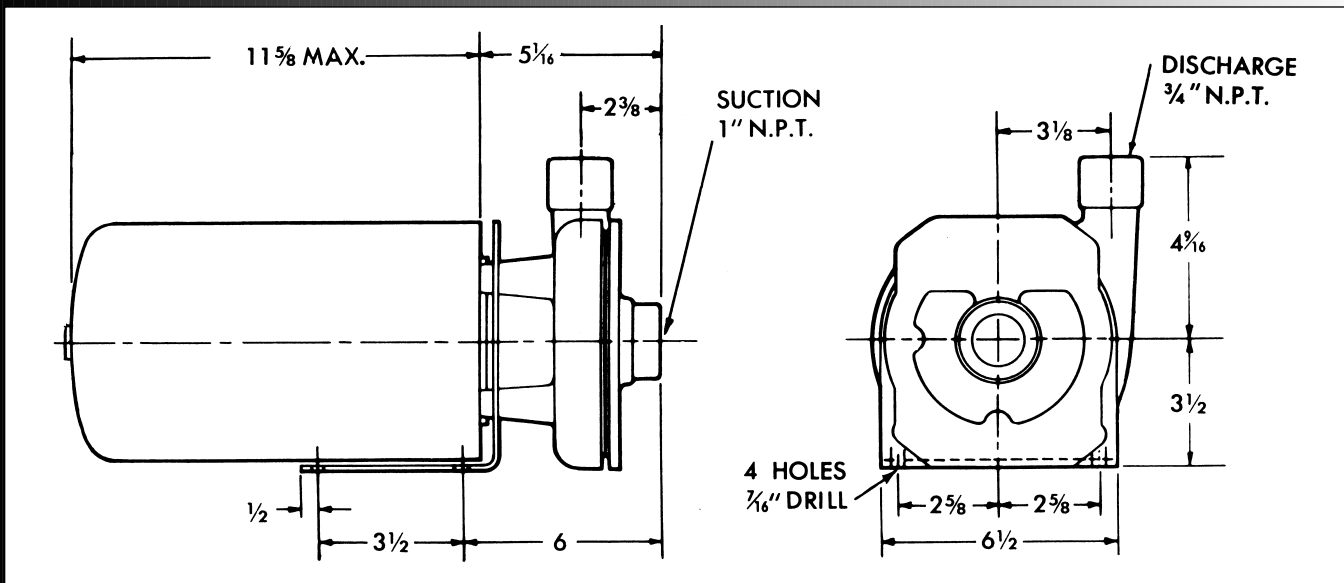
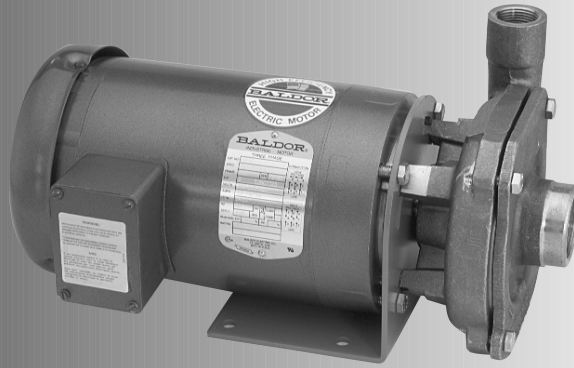




Ampco Centrifugal Pumps

Data Sheet

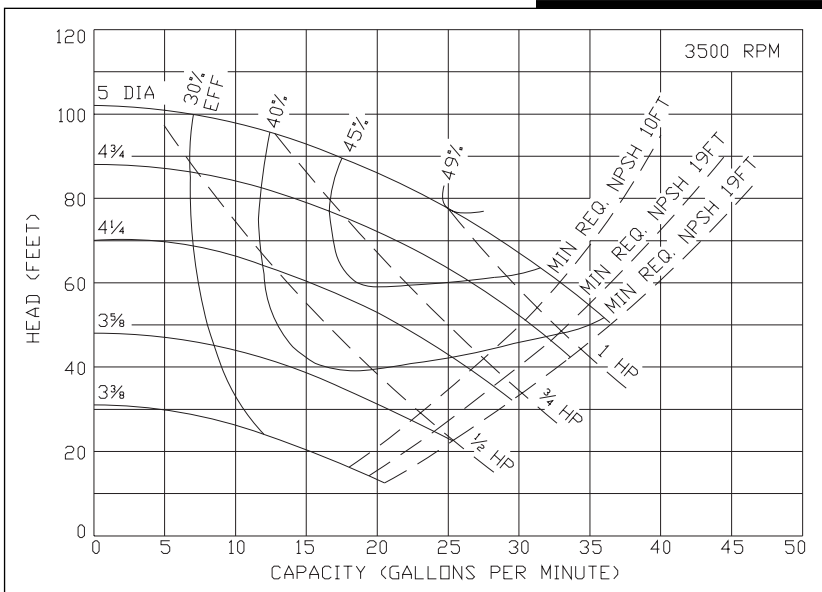
Model KC2 1x^{3/4}
Nickel Aluminum Bronze



HP	FRAME	APPROX. WEIGHT (LBS)
1/2	56J	46
3/4	56J	48
1	56J	52
2	56J	61

MATERIAL SPECIFICATIONS

PART NAME	NICKEL ALUMINUM BRONZE
Casing	AMPCO® 483
Cover	AMPCO® 483
Impeller	AMPCO® 483
Bracket	Steel

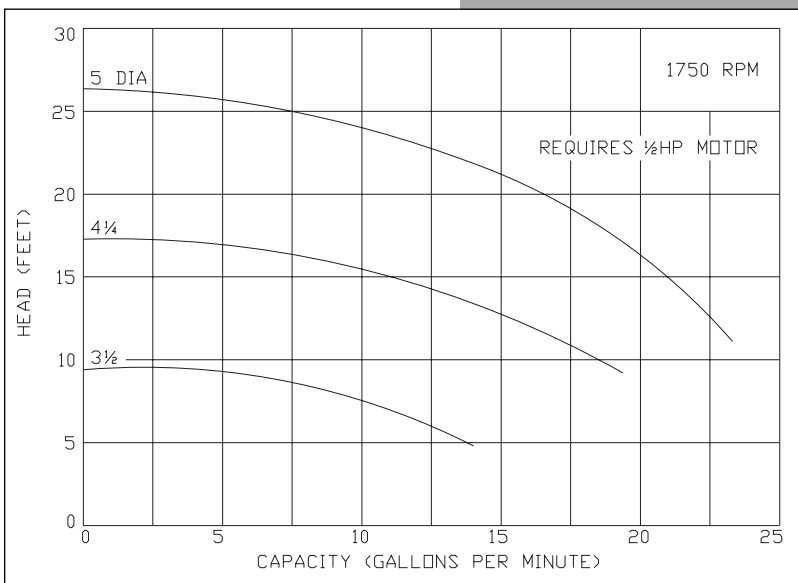
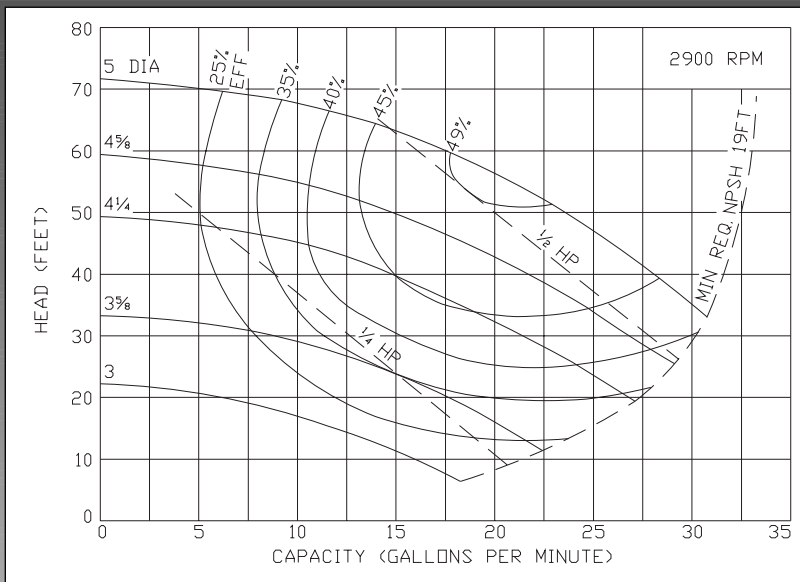


Ampco Centrifugal Pumps

Model KC2 1x^{3/4}
Nickel Alumin Bronze

Curves show approximate characteristics based on clear 68° water. Rated point is guaranteed.

Standard K Series pumps have threaded NPT connections and are mounted on 56J frame motors. Seal options include Type 21 and Type 9 with choice of sealing materials.



Ampco Pumps Company

4424 West Mitchell Street
Milwaukee, Wisconsin 53214
PHONE (414) 643-1852
FAX (414) 643-4452