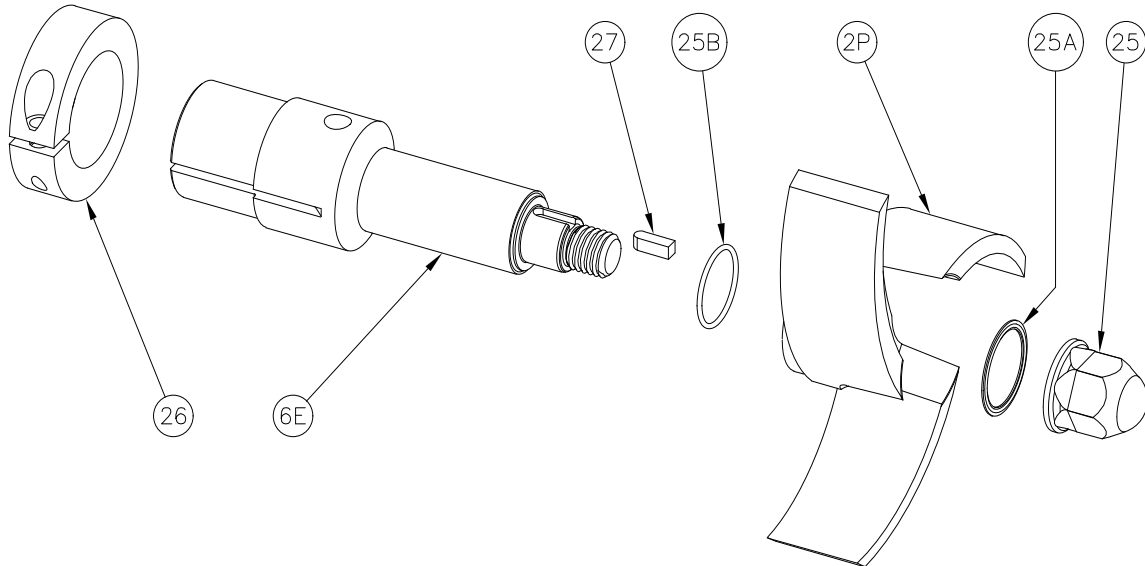


## AC Series Maintenance Manual Addendum For AC+ Design Pumps

### Additional Parts For AC+ Design

Key	Description	Qty.
2P	AC+ Impeller	1
6E	AC+ Stub shaft	1
25	AC+ Impeller nut	1
25A	AC+ Impeller nut gasket	1
25B	AC+ Impeller back gasket	1
26	AC+ Shaft collar	1
27	AC+ Impeller key	1

### AC+ Shaft Design Drawing



### Necessary Equipment

- 3/8" Diameter Rod – For securing shaft when tightening / loosening impeller nut
- 5/8" Socket Wrench – For impeller nut AC+ 114 Pumps
- 7/8" Socket Wrench – For impeller nut AC+ 216, 218, 328, & 4410 Pumps

### Bolt Torques

Collars		Impeller Nuts	
56C/140TC/180TC	85 in-lbs	AC+ 114	18 ft-lbs
210TC/250TC	135 in-lbs	AC+ 216/218/	95 ft-lbs
280TC/280TSC/	20 ft-lbs	328/4410	
320TC/320TSC			