

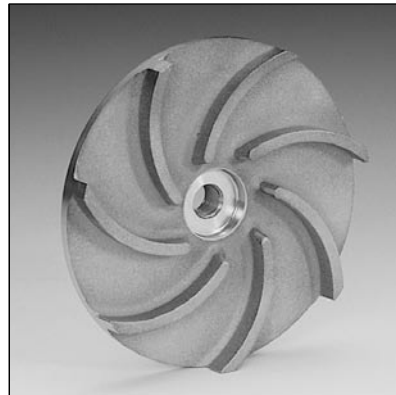
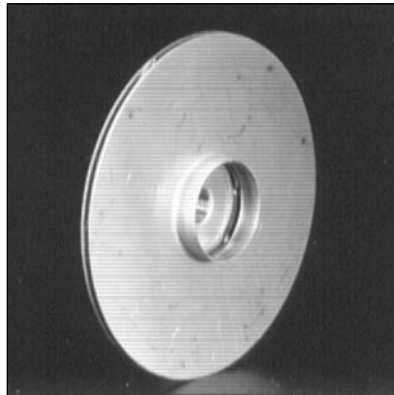
Repair Parts

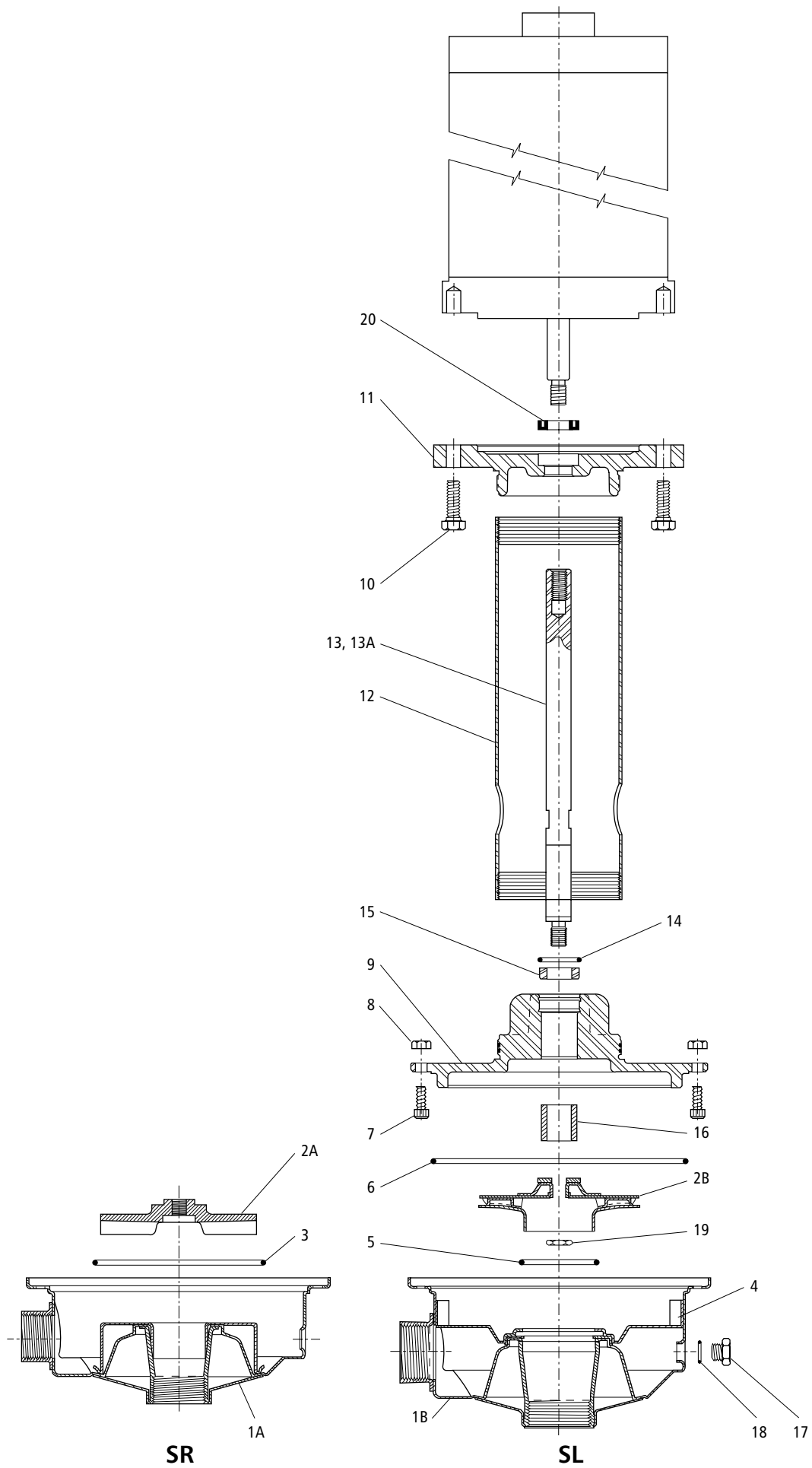
MODEL

NPV

Vertically Immersed Stainless Steel End Suction Pump

Effective August, 2004





Bill of Material							
Item	Description	Material	Quantity	Repair Parts Order No.			
SR ONLY	1A	Casing, pump SR	AISI 304 SS	1	1SR	2SR	3SR
					1L499	1L440	1L441
	2A	Impeller (open)	AISI 316 SS	1	2K562 (3.00)	2L710 (3.44)	2L717 (3.75)
					2K561 (3.25)	2L709 (3.75)	2L716 (4.19)
					2K560 (3.50)	2L708 (4.06)	2L715 (4.44)
					2K559 (3.75)	2L707 (4.31)	2L714 (4.62)
					2K558 (4.00)	2L706 (4.62)	2L713 (4.94)
					2K557 (4.31)	2L705 (5.06)	2L712 (5.25)
2K710 (5.00)					2L704 (5.31)	2L711 (5.44)	
				2K711 (5.38)	—	—	
3A	O-ring, internal casing	Viton	1	5L109	—	—	
3B	O-ring, internal casing	EPR		5K252	—	—	
SL ONLY	1B	Casing, pump SL	AISI 304 SS	1	1SL	2SL	3SL
					1L81	1L82	1L83
	2B	Impeller (closed)	AISI 304 SS	1	2L59 (4.06)	2L50 (3.88)	2L55 (3.63)
					2L45 (4.44)	2L51 (4.25)	2L56 (4.06)
					2L42 (4.75)	2L52 (4.62)	2L57 (4.38)
					2L46 (5.19)	2L53 (4.88)	2L58 (4.62)
					2L44 (5.75)	2L54 (5.06)	2L49 (4.75)
					2L47 (6.13)	2L48 (5.25)	2L701 (5.00)
					—	2L699 (5.50)	2L702 (5.38)
					—	2L700 (5.94)	—
4	Guidevane	AISI 304 SS	1	3L23	3L24	3L25	
5A	O-ring, impeller	Viton	1	5L75	5L76	5L76	
5B	O-ring, impeller	EPR		5L81	5L82	5L82	
COMMON	6A	O-ring, casing	Viton	1	5K206		
	6B	O-ring, casing	EPR		5K193		
	7	¼ - 20NC – 2A x .50 long socket head cap screw	AISI 304 SS	8	13K268		
	8	¼ - 20NC hex nut	AISI 304 SS	8	13K269		
	9	Pump mounting plate	AISI 303 SS	1	1L502		
	10	¾ - 16NC – 2A x 1.0 long hex head bolt	Plated Steel	4	13K194		
	11	Motor mounting plate	Cast Iron	1	1L503		
	12	Tube, support, 14 inch	AISI 304 SS	1	6K117		
		Tube, support, 24 inch			6K123		
	13	Shaft, 14 inch	AISI 304 SS	1	4K417		
		Shaft, 24 inch			4K428		
	13A	Shaft, 14 inch	AISI 304 SS	1	4K441		
		Shaft, 24 inch	Ceramic Coated		4K443		
	14	Snap ring	Stainless Steel	1	4K419		
	15	Bushing	Nitronic 60 Stainless	1	4K416		
	16	Bearing	Viton	1	7K474		
			Carbon (CTI 25)		4K418		
			EPR		7K1743		
	17	Plug, drain and vent	AISI 304 SS	2	6L3		
	18A	O-ring, drain and vent plug	Viton	1	5L99		
18B	O-ring, drain and vent plug	EPR	5L80				
19	Nut, impeller	300 Series SS	1	13K6			
20	Seal, u-cup	Teflon	1	10K73			

Goulds Pumps is a brand of ITT Water Technology, Inc.
- a subsidiary of ITT Industries, Inc.

Goulds Pumps and the ITT Engineered Blocks Symbol are
registered trademarks and tradenames of ITT Industries.

© 2004 ITT Water Technology, Inc.
PRINTED IN U.S.A.

www.goulds.com
SPECIFICATIONS ARE SUBJECT TO CHANGE WITHOUT NOTICE.

Goulds Pumps



ITT Industries