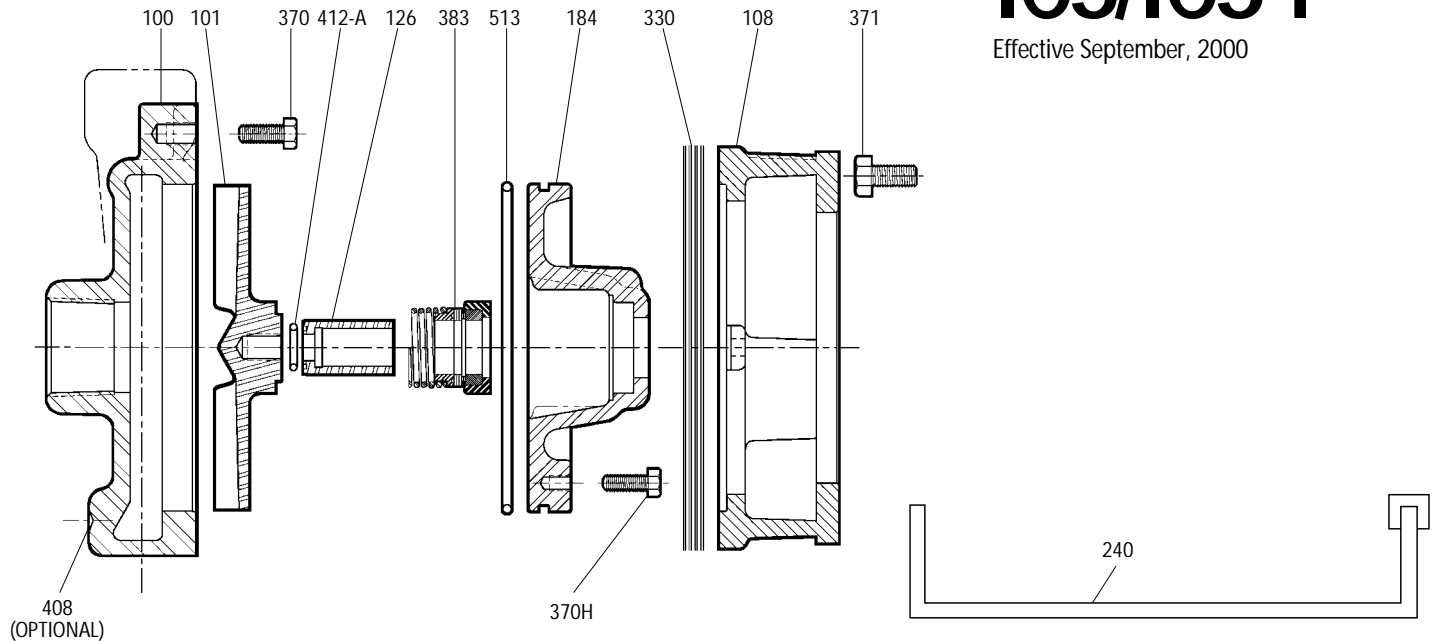


For XS-Group power frame individual parts, see XS-Group power frame repair parts page.



Replacement Parts Listing			Part Order No.	
Item No.	Description	Materials of Construction	1 SS 1 x 1 1/4 - 5	2 SS 1 1/4 x 1 1/2 - 5
100	Casing	AISI 316 SS	1K278	1K279
101	Impeller		See Impeller Reference Chart	
108	Adapter	Cast iron	1K281	
126	Shaft sleeve	AISI 316 SS	4K382	
184	Seal housing		1K280	
240	Motor support	Steel	9K187	
	Rubber channel	Rubber	9K188	
330	Shim pack	Plastic	4K383	
370	H.H. screw, adapter to casing	AISI 316 SS	13K157	
370H	H.H. screw, adapter to seal hsg.		13K257	
371	H.H. screw, adapter to motor		13K256	
383	Mechanical seal	standard	Carbon/sil car/viton	
		optional	Carbon/sil car/EPR	
412A	O-ring, impeller	Viton	5K215	
513	O-ring, casing		5K 216	

Impeller Reference Chart	
Part No.	Diameter
2K499	5 3/8
2K500	5 1/8
2K501	5
2K502	4 7/8
2K503	4 3/4
2K504	4 1/2
2K505	4 1/4
2K506	3 11/16
2K507	3 3/4
2K508	3 1/2
2K509	3 3/8
2K510	3 3/16
2K511	3

NOTE: For complete power frame assembly use part #14L61.

NOTE: For motor pricing see end suction price booklet.