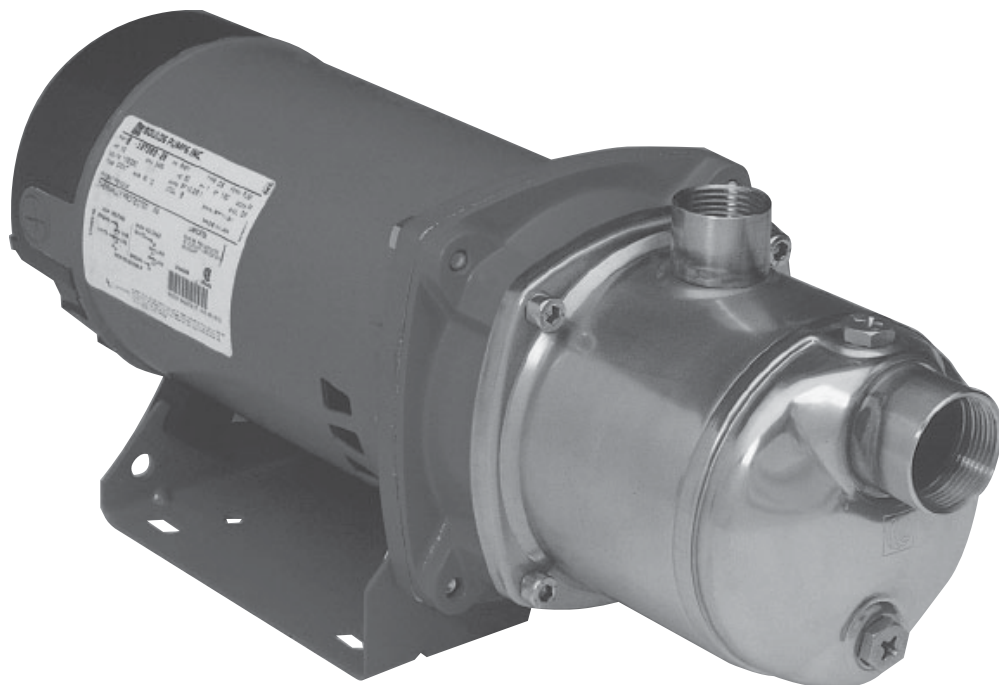


# HMS



# HMS

Item No.	Part Description	Material	Repair Part No.		Quantity		
1	Screw, casing	400 SS	13K271		4		
2	Pump, casing with plug and Viton o-rings	316L SS	See Chart Below		1		
3	O-ring, fill and drain plug	Viton	5L99		2 each		
4	Fill and drain plug	316 SS	6L3		2 each		
5	Impeller bolt	316 SS	13L119		1		
6	Impeller lock washer	316 SS	13L120		1		
7	Diffuser cover, first stage	316L SS	7L363		2		
8	Impeller spacer	316L SS	See Chart		See Chart		
8A	Impeller spacer (Intermediate)	316L SS	See Chart		See Chart		
9	O-ring, impeller	EPR	5L83		See Chart		
		Optional Viton	5L90				
10	Impeller	316L SS	See Chart		See Chart		
11	Diffuser, intermediate	316L SS	7L357		See Chart		
11A	Diffuser with bushing	316L SS	See Chart		See Chart		
12	Diffuser, last stage	316L SS	3L36		1		
13	Washer, mechanical seal	316 SS	13L118				
14	Mechanical seal	Varies	See mechanical seal application chart		1		
15	O-ring, casing	EPR	5K222		1		
		Optional Viton	5K216				
Before SN: F0264029 • After SN: F0264029 •							
16	Seal housing	316L SS	1L444	1L552	1		
17	Motor adapter	Aluminum	1K350	1K453	1		
18	Shaft, pump	316L SS	See Chart		1		
19	Shaft coupling	316 SS	4K492		1		
20	Foot, pump	Steel	4K450		1		
21	Screw, motor to motor adapter	Steel	13K194		4		
22	Spacer	Rubber	9K188**		1		
23*	Motor, 1 PH ODP	303 SS	SFE04853	SFE05853	SFE06853	SFE07853	1
	Motor, 3 PH ODP		SFE04873	SFE05873	SFE06873	SFE07878	
	Motor, 1 PH TEFC		SFE04821	SFE05821	SFE06821	SFE07821	
	Motor, 3 PH, TEFC		SFE04876	SFE05876	SFE06876	SFE07876	
24	Shaft Sleeve	Tungsten Carbide	See Chart		See Chart		

\* 575 V motors available. Consult factory.

\*\* For all single phase ODP units use 9K286.

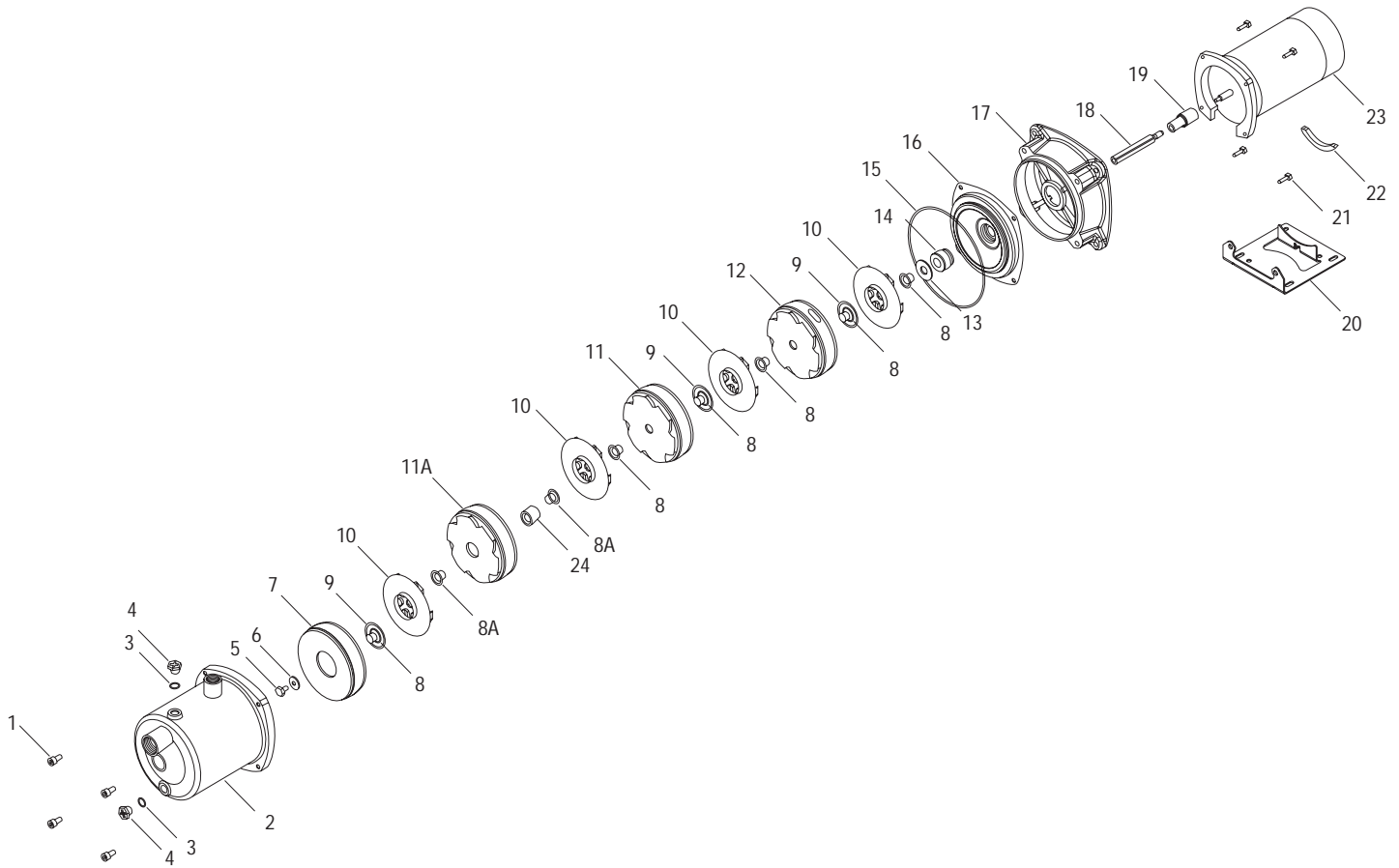
Rotary	Stationary	Elastomer	Metal Parts	Part No.
Carbon	Silicon Carbide	EPR	316SS	10K140
		Viton		10K141
Silicon Carbide				

• For pumps used in conjunction with the AquaBoost pumping system, use SN F0265181.

Part Name	2 Stage	3 Stage	4 Stage	5 Stage
Case	1L445	1L446	1L447	1L448
Shaft	4L444	4L445	4L446	4L447

Part Name	Repair Part Number	Quantity				
		2 Stage	3 Stage	4 Stage	5 Stage	
Impeller	1HMS	2L160	2	3	4	5
	2HMS	2L170				
O-ring imp.	EPR	5L83	2	3	4	5
	Viton	5L90				
Diffuser, int. with viton o-ring	7L357	0	0	1	2	
Diffuser with bushing	7L351	0	1	1	1	
Spacer, impeller	4L177	4	4	6	8	
Spacer, impeller Intermediate	4L176	0	2	2	2	
Shaft sleeve	4L180	0	1	1	1	

# HMS



Goulds Pumps is a brand of ITT Water Technology, Inc.  
- a subsidiary of ITT Industries, Inc.

Goulds Pumps, G&L Pumps and the  
ITT Engineered Blocks Symbol are registered  
trademarks and tradenames of ITT Industries.

PRINTED IN U.S.A.

[www.goulds.com](http://www.goulds.com)

SPECIFICATIONS ARE SUBJECT TO CHANGE WITHOUT NOTICE.

Goulds Pumps



ITT Industries