



# Submersible Effluent Pump

**MODEL 3885**

## WE Series

PROSURANCE AVAILABLE FOR RESIDENTIAL APPLICATIONS.

### APPLICATIONS

Specifically designed for the following uses:

- Homes
- Farms
- Trailer courts
- Motels
- Schools
- Hospitals
- Industry
- Effluent systems

### SPECIFICATIONS

#### Pump

- Solids handling capabilities:  $\frac{3}{4}$ " maximum.
- Discharge size: 2" NPT.
- Capacities: up to 140 GPM.
- Total heads: up to 128 feet TDH.
- Temperature: 104°F (40°C) continuous, 140°F (60°C) intermittent.
- See order numbers on reverse side for specific HP, voltage, phase and RPM's available.

### FEATURES

- **Impeller:** Cast iron, semi-open, non-clog with pump-out vanes for mechanical seal protection. Balanced for smooth operation. Silicon bronze impeller available as an option.
- **Casing:** Cast iron volute type for maximum efficiency. 2" NPT discharge.
- **Mechanical Seal: SILICON CARBIDE VS. SILICON CARBIDE** sealing faces. Stainless steel metal parts, BUNA-N elastomers.

- **Shaft:** Corrosion-resistant, stainless steel. Threaded design. Locknut on all models to guard against component damage on accidental reverse rotation.
- **Fasteners:** 300 series stainless steel.
- Capable of running dry without damage to components.
- Designed for continuous operation when fully submerged.

### MOTORS

- Fully submerged in high-grade turbine oil for lubrication and efficient heat transfer.
- Class B insulation on  $\frac{1}{3}$ -1½ HP models.
- Class F insulation on 2 HP models.

### Single phase (60 Hz):

- Capacitor start motors for maximum starting torque.
- Built-in overload with automatic reset.
- SJTOW or STOW severe duty oil and water resistant power cords.
- $\frac{1}{3}$  – 1 HP models have NEMA three prong grounding plugs.
- 1½ HP and larger units have bare lead cord ends.

### Three phase (60 Hz):

- Class 10 overload protection must be provided in separately ordered starter unit.
- STOW power cords all have bare lead cord ends.

### Designed for Continuous Operation:

Pump ratings are within the motor manufacturer's recommended working limits,

can be operated continuously without damage when fully submerged.

■ **Bearings:** Upper and lower heavy duty ball bearing construction.

■ **Power Cable:** Severe duty rated, oil and water resistant. Epoxy seal on motor end provides secondary moisture barrier in case of outer jacket damage and to prevent oil wicking. Standard cord is 20'. Optional lengths are available.

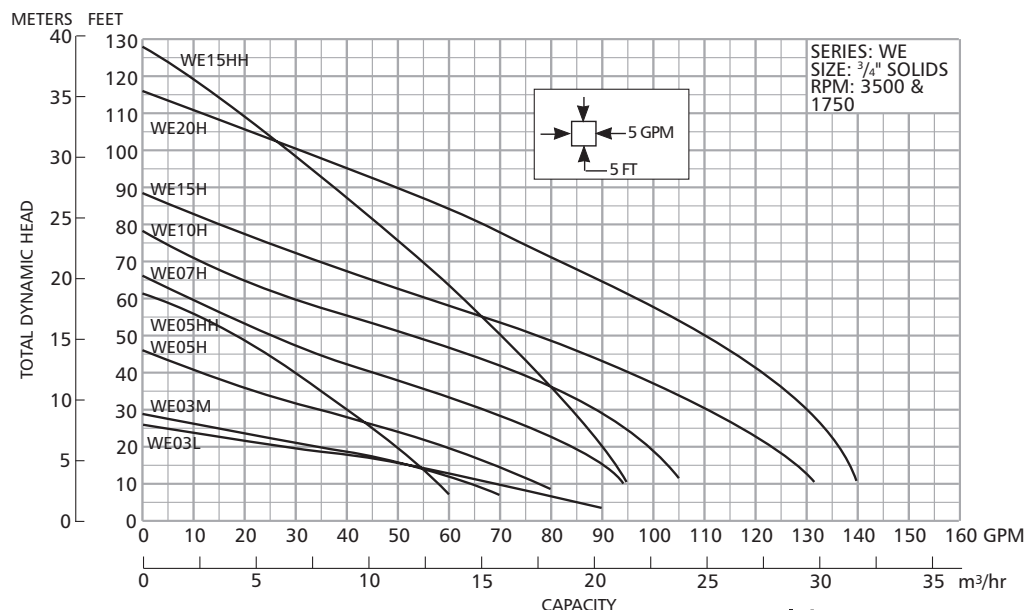
■ **O-ring:** Assures positive sealing against contaminants and oil leakage.

### AGENCY LISTINGS



Tested to UL 778 and CSA 22.2 108 Standards By Canadian Standards Association File #LR38549

Goulds Pumps is ISO 9001 Registered.



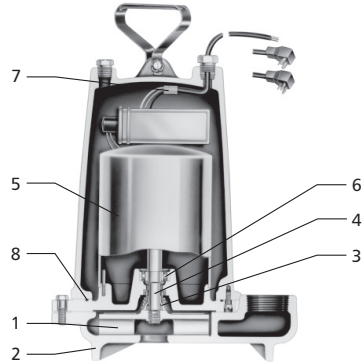
# Submersible Effluent Pump

**MODEL 3885**

# WE Series

**COMPONENTS**

Item No.	Description
1	Impeller
2	Casing
3	Mechanical Seal
4	Motor Shaft
5	Motor
6	Ball Bearings
7	Power Cable
8	Casing O-Ring



**MODELS**

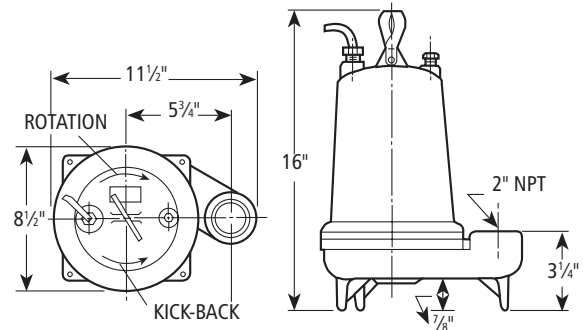
Order No.	HP	Volts	Phase	Max. Amp.	RPM	Solids	Wt. (lbs.)					
WE0311L	1/3	115	1	10.7	1750	3/4"	56					
WE0318L		208										
WE0312L		230										
WE0311M		115										
WE0318M		208										
WE0312M		230										
WE0511H	1/2	115	3	14.5	3500	3/4"	60					
WE0518H		208										
WE0512H		230										
WE0538H		200										
WE0532H		230										
WE0534H		460										
WE0537H		575										
WE0511HH		115										
WE0518HH		208										
WE0512HH		230										
WE0538HH		200										
WE0532HH		230										
WE0534HH	460											
WE0537HH	575											
WE0718H	3/4	208	3	11.0	3500	3/4"	70					
WE0712H		230										
WE0738H		200										
WE0732H		230										
WE0734H		460										
WE0737H		575										
WE1018H	1	208	3	14.0	3500	3/4"	80					
WE1012H		230										
WE1038H		200										
WE1032H		230										
WE1034H		460										
WE1037H		575										
WE1518H		1 1/2		208				3	17.5	3500	3/4"	83
WE1512H				230								
WE1538H				200								
WE1532H				230								
WE1534H				460								
WE1537H				575								
WE1518HH	208											
WE1512HH	230											
WE1538HH	200											
WE1532HH	230											
WE1534HH	460											
WE1537HH	575											
WE2012H	2	230	3	18.0	3500	3/4"	83					
WE2038H		200										
WE2032H		230										
WE2034H		460										
WE2037H		575										

**PERFORMANCE RATINGS** (gallons per minute)

Order No.	WE03L	WE03M	WE05H	WE07H	WE10H	WE15H	WE05HH	WE15HH	WE20H
HP	1/3	1/3	1/2	3/4	1	1 1/2	1/2	1 1/2	2
RPM	1750	1750	3500	3500	3500	3500	3500	3500	3500
5	86	-	-	-	-	-	-	-	-
10	70	63	78	94	-	-	58	95	-
15	52	52	70	90	103	128	53	93	138
20	27	35	60	83	98	123	49	90	136
25	-	-	48	76	94	117	45	87	133
30	-	-	35	67	88	110	40	83	130
35	-	-	22	57	82	103	35	80	126
40	-	-	-	45	74	95	30	77	121
45	-	-	-	35	64	86	25	74	116
50	-	-	-	25	53	77	-	70	110
55	-	-	-	-	40	67	-	66	103
60	-	-	-	-	30	56	-	63	96
65	-	-	-	-	20	45	-	58	89
70	-	-	-	-	-	35	-	55	81
75	-	-	-	-	-	25	-	51	74
80	-	-	-	-	-	-	-	47	66
90	-	-	-	-	-	-	-	37	49
100	-	-	-	-	-	-	-	28	30

**DIMENSIONS**

(All dimensions are in inches. Do not use for construction purposes.)



Goulds Pumps is a brand of ITT Water Technology, Inc. – a subsidiary of ITT Industries, Inc.

Goulds Pumps and the ITT Engineered Blocks Symbol are registered trademarks and tradenames of ITT Industries.

Goulds Pumps

