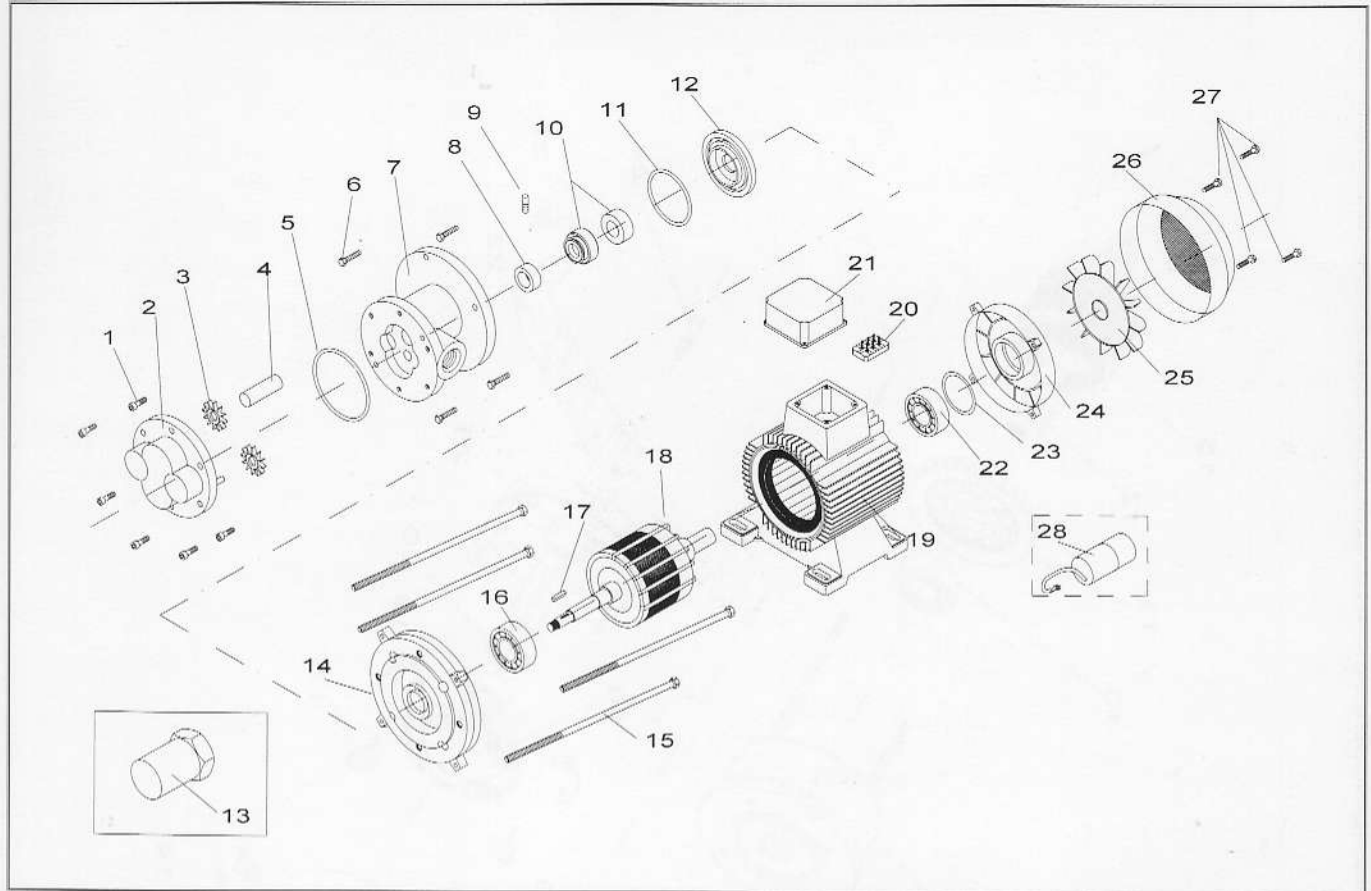


"IN 25 (C.A.÷A.C.)"

EL/POMPA IN 25 C.A.

EL/PUMP IN 25 A.C.



Gli esplosi contenuti in questo catalogo sono indicativi e possono essere modificati in qualsiasi momento senza preavviso.
 The exploded drawing in this catalogue are indicative and can be changed in every moment without notice.

- | | | |
|------------------------------------|-----|--------------------------------------|
| Vite fissaggio coperchio | .1 | 1. Screw for fix cover |
| Coperchio pompa | .2 | 2. Pump cover |
| Ingranaggio | .3 | 3. Gear |
| Albero ingranaggio | .4 | 4. Gear shaft |
| O-ring coperchio pompa | .5 | 5. O-ring body pump cover |
| Vite | .6 | 6. Screw |
| Corpo pompa | .7 | 7. Body pump |
| Anello bloccaggio Tenuta meccanica | .8 | 8. Mechanical seal's sliding ring |
| Grano | .9 | 9. Grub screw |
| Tenuta meccanica | .10 | 10. Mechanical seal |
| O-ring supporto Tenuta meccanica | .11 | 11. Mechanical seal's O-ring support |
| Disco di supporto Tenuta meccanica | .12 | 12. Mechanical seal disc support |
| By-pass | .13 | 13. By-pass |
| Calotta anteriore motore | .14 | 14. Front motor cover |
| Tirante motore | .15 | 15. Motor tie rod |
| Cuscinetto anteriore | .16 | 16. Front bearing |
| Chiavetta girante | .17 | 17. Impeller key |
| Albero con pacco rotorico | .18 | 18. Shaft with parcel rotor |
| Cassa motore | .19 | 19. Motor case |
| Morsettiera | .20 | 20. Terminal box |
| Tappo copri morsettiera | .21 | 21. Terminal box cover |
| Cuscinetto posteriore | .22 | 22. Back bearing |
| Anello di compensazione | .23 | 23. Compensation ring |
| Calotta posteriore | .24 | 24. Back cover |
| Ventola di raffreddamento | .25 | 25. Cooling fan |
| Calotta copri ventola | .26 | 26. Back sheet cover |
| Vite di fissaggio calotta | .27 | 27. Screw for fix cover |
| Condensatore-solo V.230 1F | .28 | 28. Capacitor - only V.230 1P |

DESCRIZIONE	COD.	DESCRIPTION
IN 25 V.230 1F C.A.	01CIN252	IN 25 V.230 1P A.C.
IN 25 V.208 1F Hz60 C.A.	01CIN251	IN 25 V.208 1P Hz60 A.C.
IN 25 V.230/400 3F C.A.	01CIN253	IN 25 V.230/400 3P A.C.
IN 25 V.230/400 3F Hz60 C.A.	01CIN2531	IN 25 V.230/400 3P Hz60 A.C.