

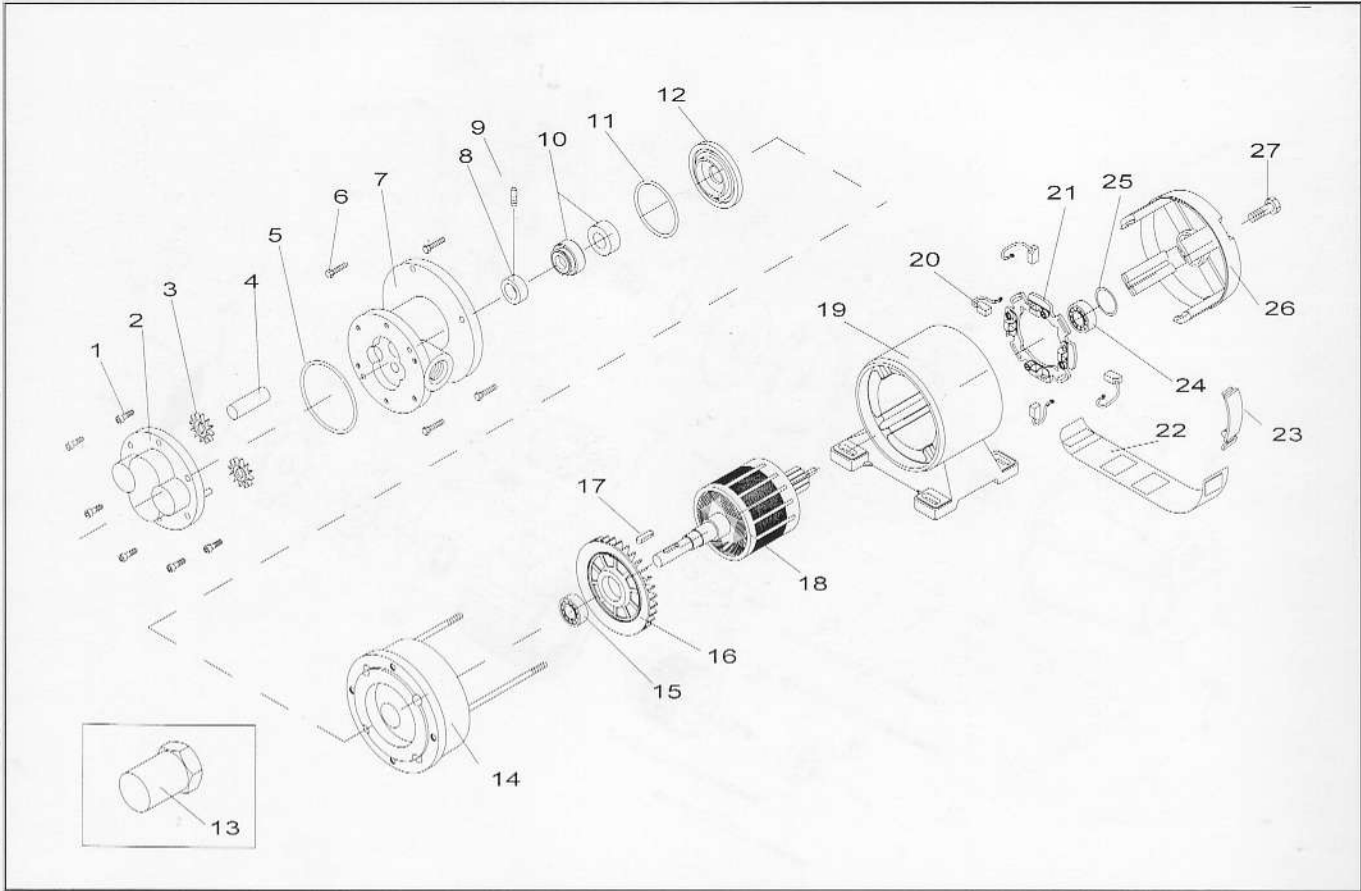
# "IN 12 ÷ IN 25 (C.C.÷D.C.)"

EL/POMPA IN 12 ÷ IN 25 C.C.

EL/PUMP IN 12 ÷ IN 25 D.C.



Gli esplosi contenuti in questo catalogo sono indicativi e possono essere modificati in qualsiasi momento senza preavviso.  
 The exploded drawings in this catalogue are indicative and can be changed in every moment without notice.



- |  |                                      |
|--|--------------------------------------|
| Vite fissaggio coperchio .1            | 1. Screw for fix cover               |
| Coperchio pompa .2                     | 2. Pump cover                        |
| Ingranaggio .3                         | 3. Gear                              |
| Albero ingranaggio .4                  | 4. Gear shaft                        |
| O-ring coperchio pompa .5              | 5. O-ring body pump cover            |
| Vite .6                                | 6. Screw                             |
| Corpo pompa .7                         | 7. Body pump                         |
| Anello bloccaggio Tenuta meccanica .8  | 8. Mechanical seal's sliding ring    |
| Grano .9                               | 9. Grub screw                        |
| Tenuta meccanica .10                   | 10. Mechanical seal                  |
| O-ring supporto Tenuta meccanica .11   | 11. Mechanical seal's O-ring support |
| Disco di supporto Tenuta meccanica .12 | 12. Mechanical seal disc support     |
| By-pass .13                            | 13. By-pass                          |
| Calotta anteriore motore .14           | 14. Front motor cover                |
| Cuscinetto anteriore .15               | 15. Front bearing                    |
| Ventola di raffreddamento .16          | 16. Cooling fan                      |
| Chiavetta girante .17                  | 17. Impeller key                     |
| Albero con pacco rotorico .18          | 18. Shaft with parcel rotor          |
| Cassa motore .19                       | 19. Motor case                       |
| Spazzole .20                           | 20. Brushes                          |
| Anello porta spazzole .21              | 21. Brushes holder ring              |
| Fascetta copri spazzole .22            | 22. Protection strip for brushes     |
| Clip .23                               | 23. Clip                             |
| Cuscinetto posteriore .24              | 24. Back bearing                     |
| Anello di compensazione .25            | 25. Compensation ring                |
| Calotta posteriore motore .26          | 26. Back motor cover                 |
| Vite di sbloccaggio asse .27           | 27. Screw for shaft unblock          |

DESCRIZIONE	COD.	DESCRIPTION
IN 12 V.12 C.C.	<b>01CIN120</b>	IN 12 V.12 D.C.
IN 12 V.24 C.C.	<b>01CIN121</b>	IN 12 V.24 D.C.
IN 25 V.12 C.C.	<b>01CIN250</b>	IN 25 V.12 D.C.
IN 25 V.24 C.C.	<b>01CIN251</b>	IN 25 V.24 D.C.