

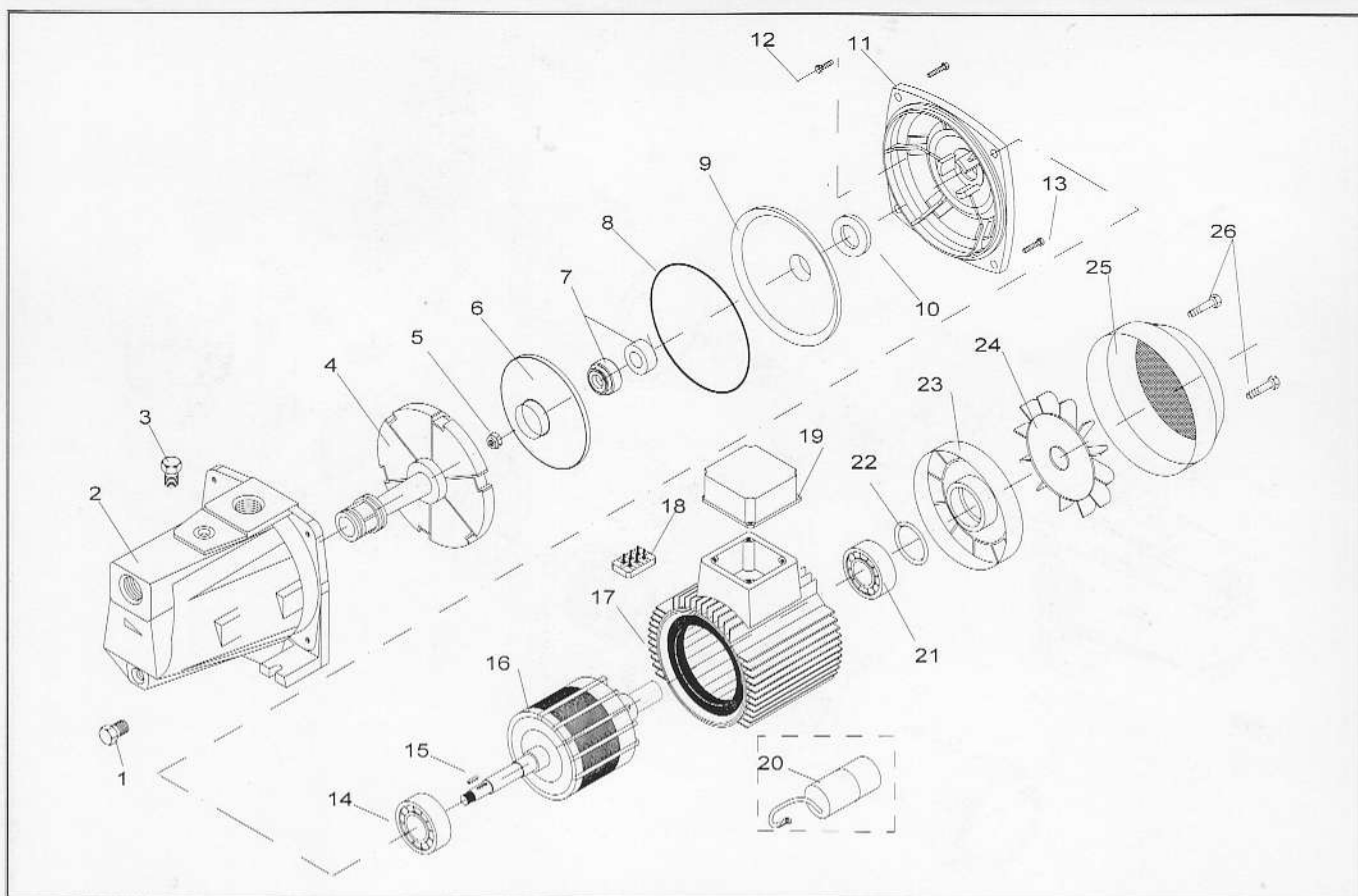
# "ECOJET 1B ÷ ECOJET 2B (C.A ÷ A.C.)"

EL/POMPA ECOJET 1B ÷ ECOJET 2B C.A.

EL/PUMP ECOJET 1B ÷ ECOJET 2B A.C.



Gli esplosi contenuti in questo catalogo sono indicati e possono essere modificati in qualsiasi momento senza preavviso.  
 The exploded drawings in this catalogue are indicative and can be changed in every moment without notice.



- |                                |                             |
|--------------------------------|-----------------------------|
| Vite scarico .1                | 1. Screw for discharge      |
| Corpo pompa .2                 | 2. Body pump                |
| Vite carico .3                 | 3. Screw for charge         |
| Diffusore + Venturi .4         | 4. Diffuser + Venturi       |
| Dadi fissaggio girante .5      | 5. Nut for impeller block   |
| Girante .6                     | 6. Impeller                 |
| Tenuta meccanica .7            | 7. Mechanical seal          |
| O-ring .8                      | 8. O-ring                   |
| Disco acciaio inox .9          | 9. Inox disk                |
| Anello paraspruzzi .10         | 10. Spash guard ring        |
| Raccordo pompa motore .11      | 11. Motor pump fitting      |
| Vite fissaggio motore .12      | 12. Screw for fix motor     |
| Vite fissaggio pompa .13       | 13. Screw for fix pump      |
| Cuscinetto anteriore .14       | 14. Motor front bearing     |
| Chiavetta girante .15          | 15. Impeller key            |
| Albero con pacco rotorico .16  | 16. Shaft with parcel rotor |
| Cassa motore .17               | 17. Motor case              |
| Morsettiera .18                | 18. Terminal box            |
| Tappo copri morsettiera .19    | 19. Terminal box cover      |
| Condensatore-solo V.230 1F .20 | 20. Capacitor-only V.230 1P |
| Cuscinetto posteriore .21      | 21. Back bearing            |
| Anello di compensazione .22    | 22. Compensation ring       |
| Calotta posteriore .23         | 23. Back cover              |
| Ventola di raffreddamento .24  | 24. Cooling fan             |
| Calotta copri ventola .25      | 25. Back sheet cover        |
| Viti fissaggio calotta .26     | 26. Screw for fix cover     |

DESCRIZIONE	COD.	DESCRIPTION
ECOJET 1 B V.230 1F C.A.	<b>01EJ1B2</b>	ECOJET 1 B V.230 1P A.C.
ECOJET 1 B V.230/400 3F C.A.	<b>01EJ1B3</b>	ECOJET 1 B V.230/400 3P A.C.
ECOJET 2 B V.230 1F C.A.	<b>01EJ2B2</b>	ECOJET 2 B V.230 1P A.C.
ECOJET 2 B V.110 1F C.A.	<b>01EJ2B21</b>	ECOJET 2 B V.110 1P A.C.
ECOJET 2 B V.230/400 3F C.A.	<b>01EJ2B3</b>	ECOJET 2 B V.230/400 3P A.C.