

Fluid-o-Tech stainless steel rotary vane pumps



The inlet and outlet ports are 3/8" NPT threaded.

The pump is equipped with a built-in by-pass. Upon request the pump is also available without by-pass.

The motor coupling may be either direct through a metallic clamp or through an elastic coupling.

All models, upon request, are available:

- with special clearances (suffix - H) for temperature higher than 70°C (158°F) max 90°C (194°F)
- with Viton/EPDM seals (suffix - V/E) for special fluids
- NSF listed pumps for potable water
In this case the prefix for each model is PA instead of PO.

The rotary vane pumps, manufactured by Fluid-o-Tech and sold worldwide under the trademark Rotoflow are volumetric pumps, designed for pumping water and aggressive liquids with low flow at high pressure.

Technical features and manufacturing characteristics

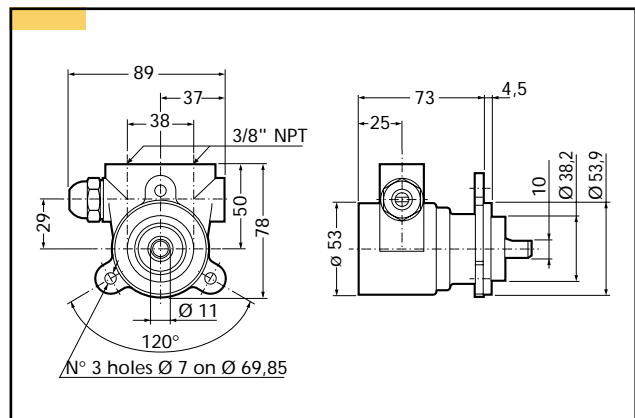
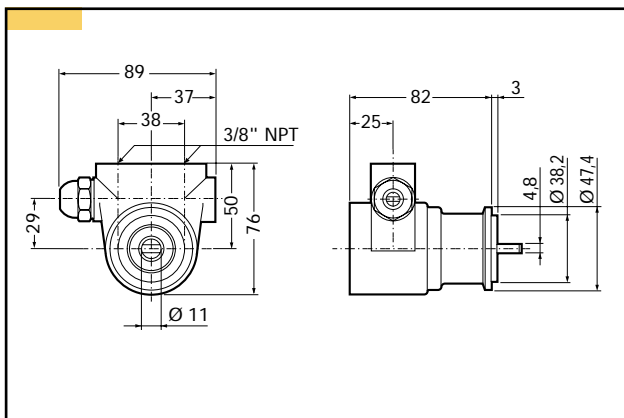
The rotary vane pump is stainless steel AISI 303 made, while the pumping chamber and the vanes are in graphitic carbon.



NSF listed pumps available for potable water.

Main applications

- Soda circulation in post-mix drink dispensers
- Cooling systems
- Reverse osmosis
- Ultra-filtration



Fluid-o-Tech
<http://www.fluidotech.it>

Via Morimondo, 23
20143 Milano - Italy
Tel. (39) 02 8917071
Fax (39) 02 89170799

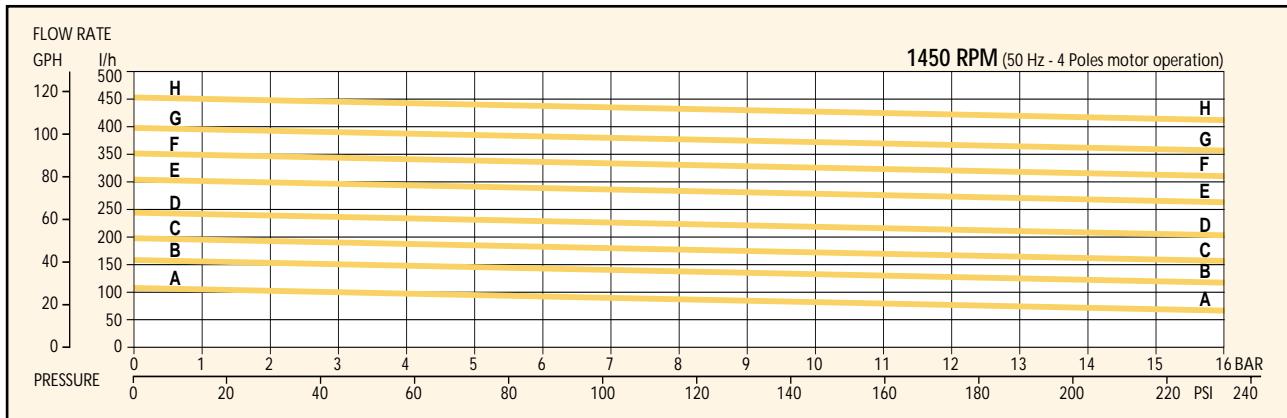
161 Atwater St.,
Plantville CT (USA) 06479
Tel. (1) (860) 276-9270
Fax (1) (860) 620-0193

AF204, 8-10-17, Fukasawa,
Setagaya, Tokyo 158-0081 Japan
Tel. (81) (0) 3-3705-5440
Fax (81) (0) 3-5707-7414

Fluid-o-Tech stainless steel rotary vane pumps

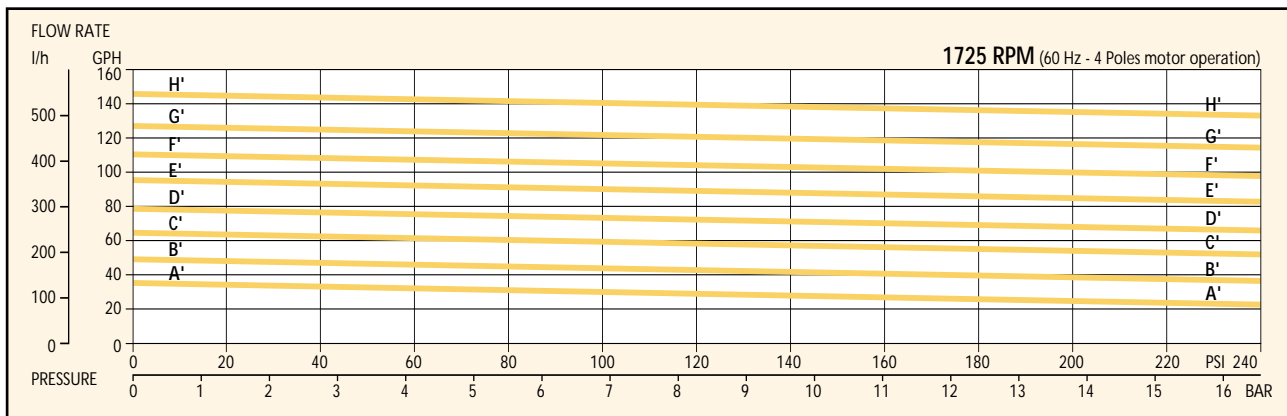
MODEL PO/PA	0710	0711	0711F	110	111	111F	1510	1511	1511F	210	211	211F
Flow (l/h) at 2 BAR		100			150			190			236	
Flow (l/h) at 7 BAR		89			139			179			225	
Flow (l/h) at 14 BAR		70			120			160			206	
Figure		A-A			B-B			C-C			D-D	
Mount	Clamp	Clamp	Flange	Clamp	Clamp	Flange	Clamp	Clamp	Flange	Clamp	Clamp	Flange
By-Pass	NO	YES	YES	NO	YES	YES	NO	YES	YES	NO	YES	YES

MODEL PO/PA	2510	2511	2511F	310	311	311F	3500	3501	3511F	410	411	411F
Flow (l/h) at 2 BAR		295			345			390			445	
Flow (l/h) at 7 BAR		284			334			379			434	
Flow (l/h) at 14 BAR		265			315			360			415	
Figure		E-E			F-F			G-G			H-H	



<MODEL PO/PA	0710	0711	0711F	110	111	111F	1510	1511	1511F	210	211	211F
Flow (GPH) at 20 PSI		34			49			64			78	
Flow (GPH) at 100 PSI		30			45			60			74	
Flow (GPH) at 200 PSI		24			39			54			68	
Figure		A'-A'			B'-B'			C'-C'			D'-D'	
Mount	Clamp	Clamp	Flange	Clamp	Clamp	Flange	Clamp	Clamp	Flange	Clamp	Clamp	Flange
By-Pass	NO	YES	YES	NO	YES	YES	NO	YES	YES	NO	YES	YES

MODEL PO/PA	2510	2511	2511F	310	311	311F	3500	3501	3511F	410	411	411F
Flow (GPH) at 20 PSI		95			111			127			144	
Flow (GPH) at 100 PSI		91			107			123			140	
Flow (GPH) at 200 PSI		85			101			117			134	
Figure		E'-E'			F'-F'			G'-G'			H'-H'	



Pump weight: 1,1 kg / 2.5 Lbs (clamp mount) 1,2 kg / 2.7 Lbs (flange mount) - Characteristics at constant motor speed, water at 20°C / 68°F and by-pass blocked

PO - S - 10/01 Ed.



Fluid-o-Tech
<http://www.fluidotech.it>

Via Morimondo, 23
 20143 Milano - Italy
 Tel. (39) 02 8917071
 Fax (39) 02 89170799

161 Atwater St.,
 Plantsville CT (USA) 06479
 Tel. (1) (860) 276-9270
 Fax (1) (860) 620-0193

AF204, 8-10-17, Fukasawa,
 Setagaya, Tokyo 158-0081 Japan
 Tel. (81) (0) 3-3705-5440
 Fax (81) (0) 3-5707-7414