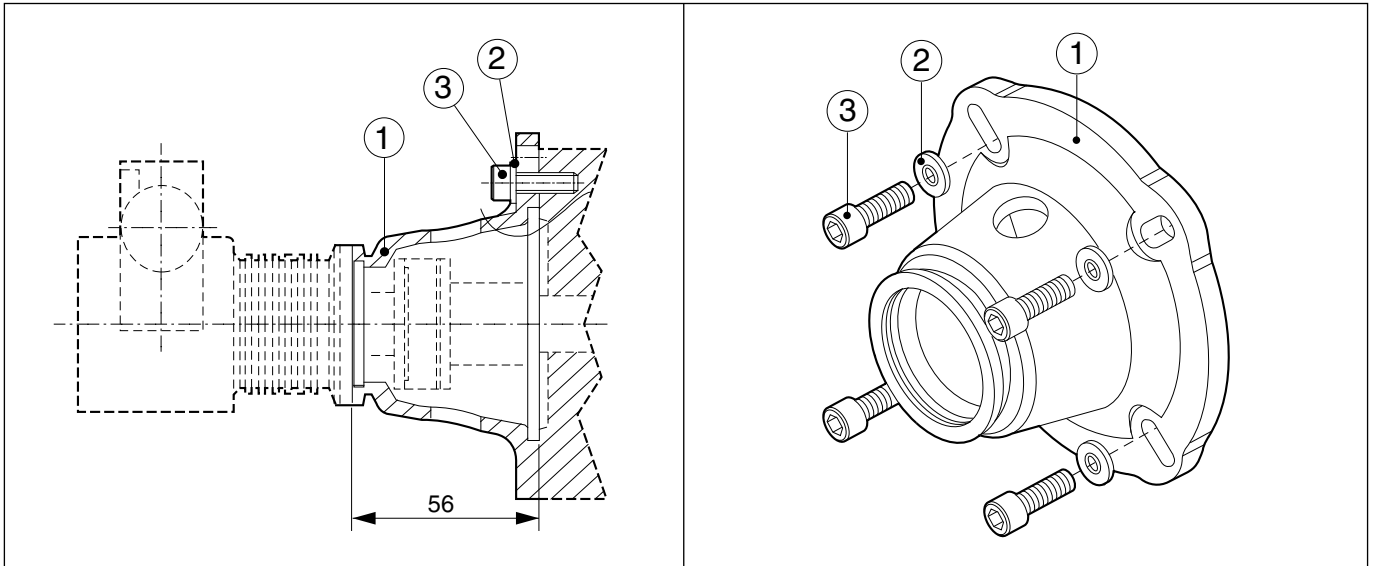


Fluid-o-Tech Rotary Vane Pumps

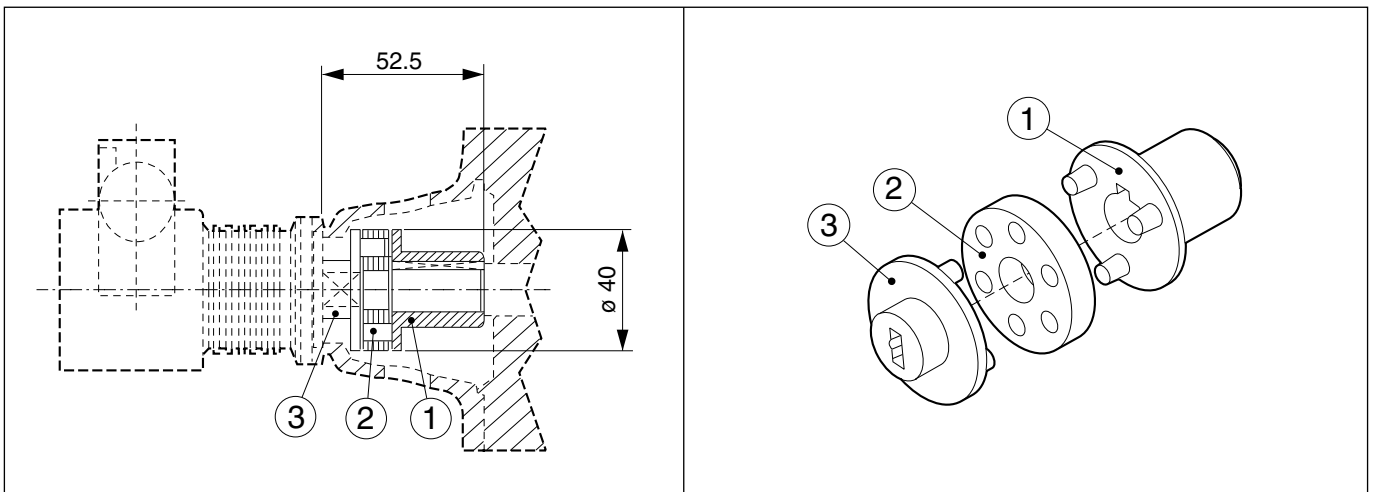
Coupling and adapter for M71 UNEL-MEC frame motors

Adapter M71 - B14 (code 3000070)



POS.	DESCRIPTION	DWG	CODE
1	Adapter M71 B14	22347	6000490
2	6 mm washer	22358	6000570
3	Screw T.C.E.I M6x20	22359	6000580

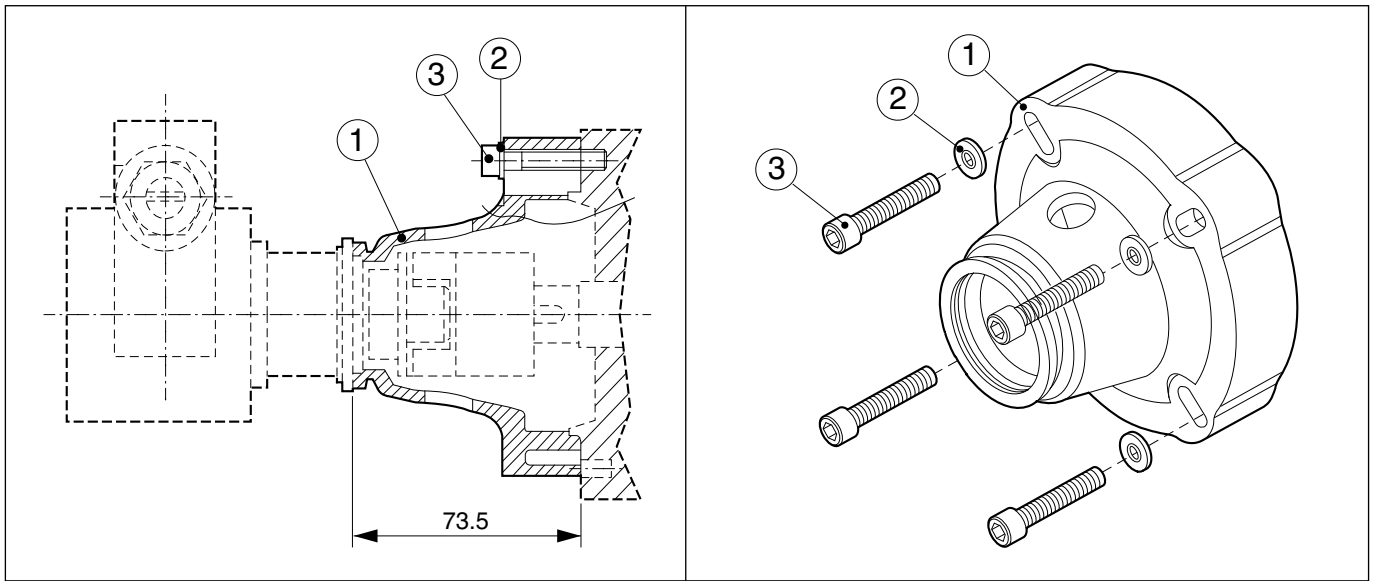
Coupling M71 - B14 (code 3000040)



POS.	DESCRIPTION	DWG	CODE
1	Coupling with 14 mm bore	22235	5000080
2	Spider	22039	6000100
3	Coupling - Flat side	22346	6000360

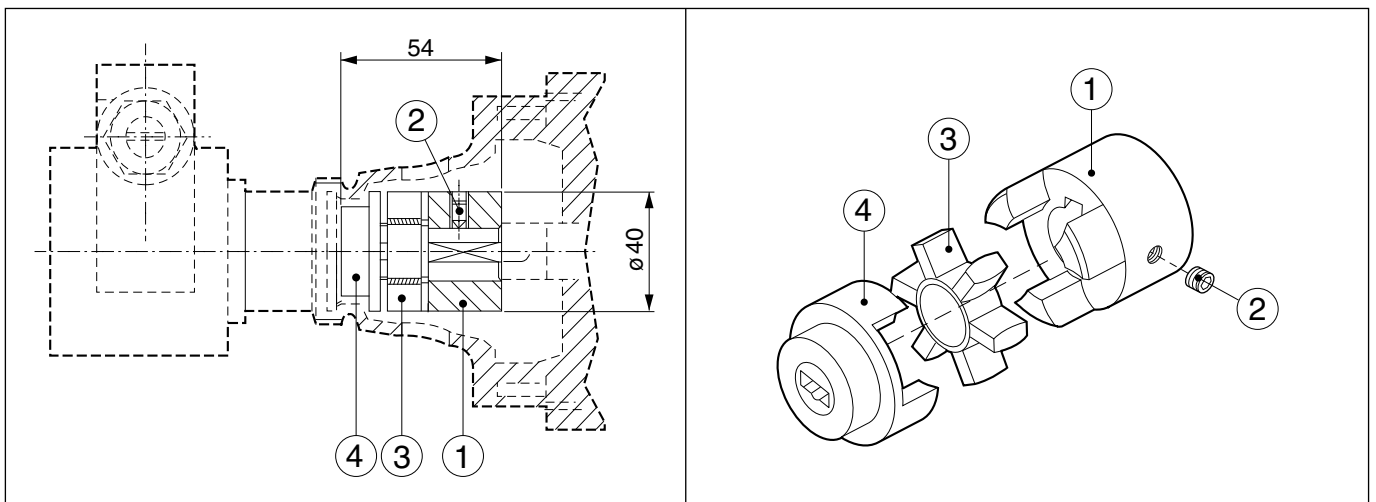
Fluid-o-Tech Rotary Vane Pumps Coupling and adapter for M80 UNEL-MEC frame motors

Adapter M80 - B14 (code 3000090)



POS.	DESCRIPTION	DWG	CODE
1	Adapter M80 B14	28031	6000540
2	6 mm washer	22358	6000570
3	Screw T.C.E.I M6x35	28033	6000590

Coupling M80 - B14 (code 3000080)



POS.	DESCRIPTION	DWG	CODE
1	Coupling with 19 mm bore	28032/1	6000860
2	Set screw M6x8	28034	6000600
3	Spider	28032/3	6000880
4	Coupling - Flat side	28032/2	6000870

PO ADPT - M80 - 05 2000 Edition

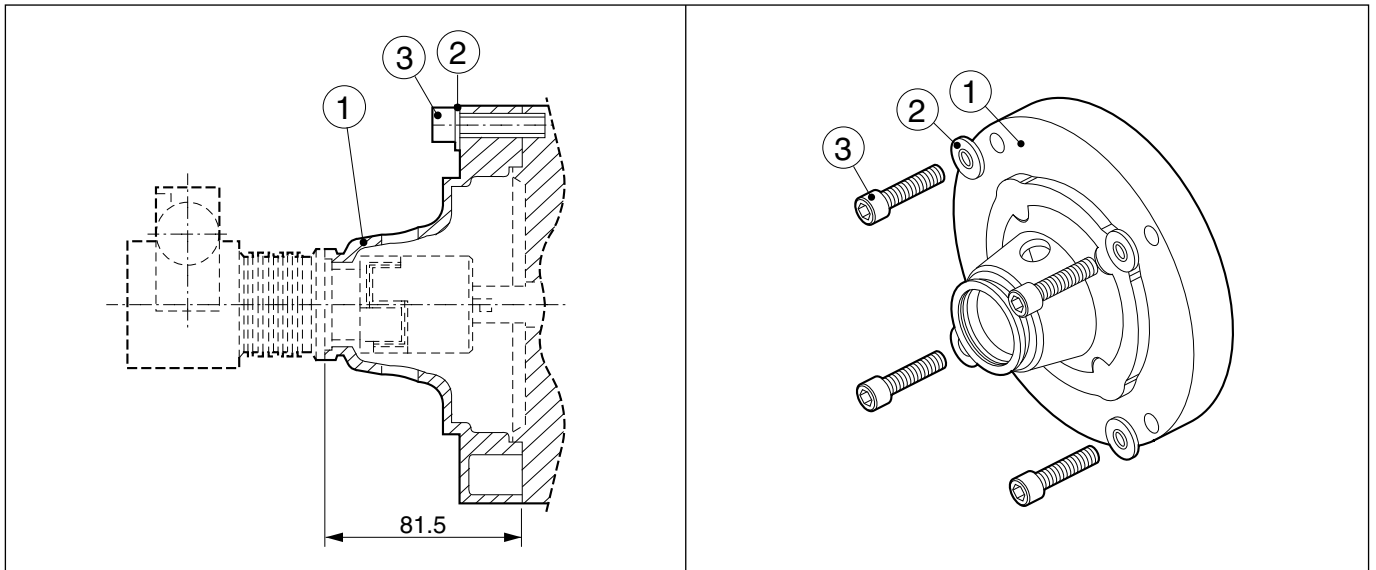


Fluid-o-Tech srl

20143 Milano - Via Morimondo, 23 - Tel. (39) 02 8917071 - Fax (39) 02 89170799 - <http://www.fluidotech.it>

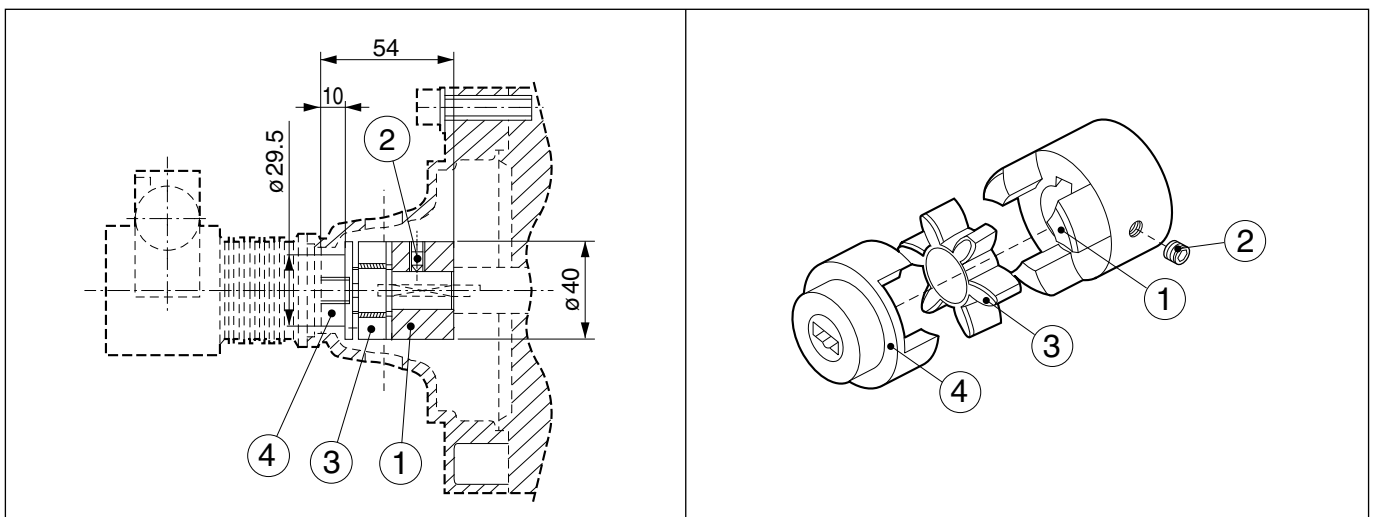
Fluid-o-Tech Rotary Vane Pumps Coupling and adapter for Nema 56C frame motors

Adapter NEMA 56C (code 3000140)



POS.	DESCRIPTION	DWG	CODE
1	Adapter for NEMA 56C	22385	6000830
2	Washer 10 mm	22391	6000850
3	Screw T.C.E.I 3/8" - 16x38 UNC	22390	6000840

Coupling NEMA 56C (code 3000130)



POS.	DESCRIPTION	DWG	CODE
1	Coupling with 5/8" bore	22386/1	6000900
2	Set screw M6x8	28034	6000600
3	Spider	28032/3	6000880
4	Coupling - Flat side	28032/2	6000870

PO ADPT - 56C - 05 2000 Edition



Fluid-o-Tech srl
20143 Milano - Via Morimondo, 23
Tel. (39) 02 8917071 - Fax (39) 02 89170799
<http://www.fluidotech.it>

Fluid-o-Tech International, Inc
161 Atwater St., Plantsville, CT 06479
Tel. (860) 276-9270 - Fax (860) 620-0193