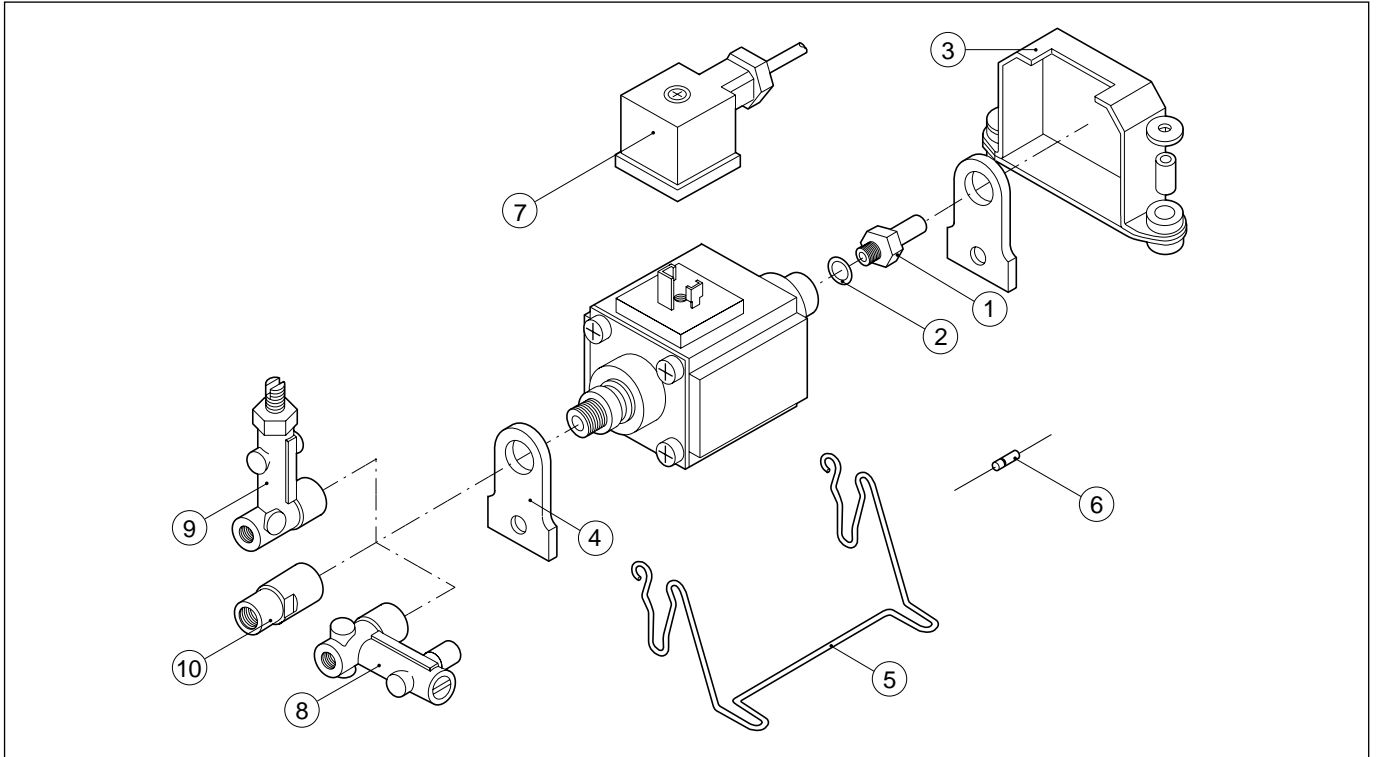


Fluid-o-Tech oscillating piston pumps accessories and fittings



POS.	DESCRIPTION	MATERIAL	FOT DWG	FOT CODE	NOTE
1	HOSE FITTING	BRASS	23165	6050220	
2	HOSE FITTING O-RING	NBR	23292	6050430	
		VITON	23451	6050449	
3	METAL BRACKET		A	3050050	
			B	3050060	
4	RUBBER BRACKET	NBR	23106	6050180	
5	WIRE BRACKET	S.S.	23036	6050100	
6	DIODE		23027	6050020	1 A diode
			23457	6051010	3 A diode
7	PLUG+DIODE+WIRE		C1A	3050090	wire towards/inlet
			C1B	3050100	wire towards/outlet
8	BY-PASS	BRASS	C5	3050030	
9	1/8" GAS flow regulator	BRASS	B2N	3050039	NBR seals
			B2V	-	Viton seals
10	1/8" GAS fitting	BRASS	R1N	3090009	
	1/8" GAS fitting with Viton seals	BRASS	M1N	3050009	
	1/8" GAS fitting with Viton seals	BRASS	M1V	3050089	
	1/8" GAS fitting	PLASTIC	M2N	3110009	
	1/8" GAS fitting with Viton seals	PLASTIC	M2V	3110019	
	1/8" GAS high flow fitting	BRASS	M3N	3050019	
	1/8" GAS high flow fitting with Viton seals	BRASS	M3V	3050049	
	1/8" GAS high flow PTFE seal fitting	BRASS	M3T	3050099	
	1/8" NPT high flow fitting	BRASS	M9N	3050079	
1/8" NPT high flow fitting with Viton seals	BRASS	M9V	3050109		

VIP - ACCESSORIES - 09 2000 ED



Fluid-o-Tech srl
 20143 Milano - Via Morimondo, 23
 Tel. (39) 02 8917071 - Fax (39) 02 8917079
<http://www.fluidotech.it>

Fluid-o-Tech International, Inc
 161 Atwater St., Plantsville, CT 06479
 Tel. (860) 276-9270 - Fax (860) 620-0193