

# Fluid-o-Tech Magnet Drive Gear Pumps MGBR2 DC Pump-Brushless Motor unit

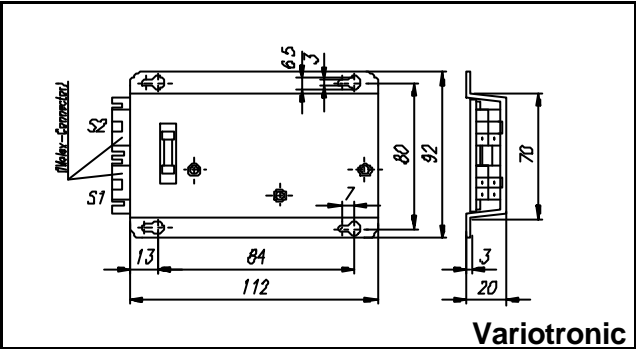
MGBR2  
BULLETIN  
06/98 Edition

**VD-3-54.14 characteristics**

Nominal Voltage	(V DC)	24
Voltage Range	(V DC)	10-30
Nominal Speed	(Rpm)	5000
Nominal Torque	(mNm)	100
Nominal Current	(A)	4,2
Nominal Output Power	(W)	52

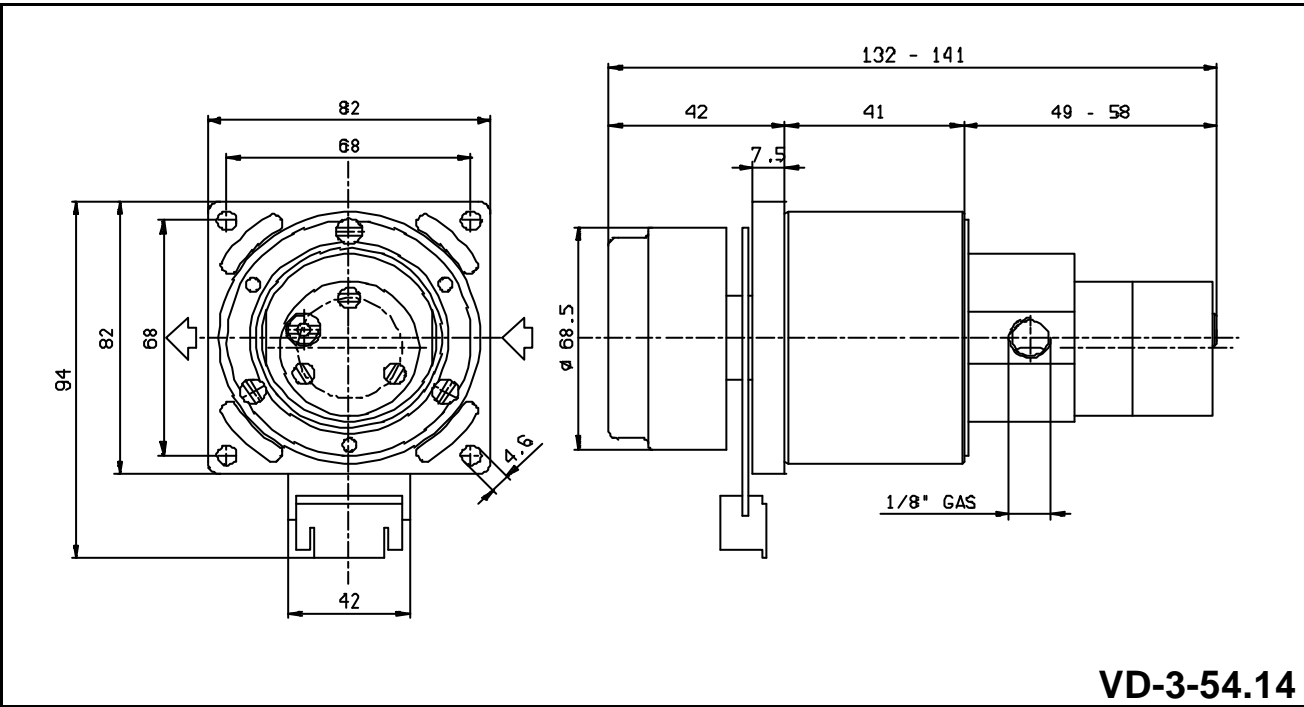
**Variotronic 500 -Voltage Control System-**

Electronic driver for operation of brushless DC motors through voltage and drive load.  
The motor current is permanently limited to its maximum value. Direction of rotation can be changed externally or internally by a solder bridge on the board.



**Variotronic 501 -Speed Control System-**

Electronic driver for operation of brushless DC motors with a nominal current up to 5A.  
In order to change the speed it is possible to change the resistor value on the pcb or to apply an additional external signal to the pcb.  
Direction of rotation can be set by using a solder bridge on the board.



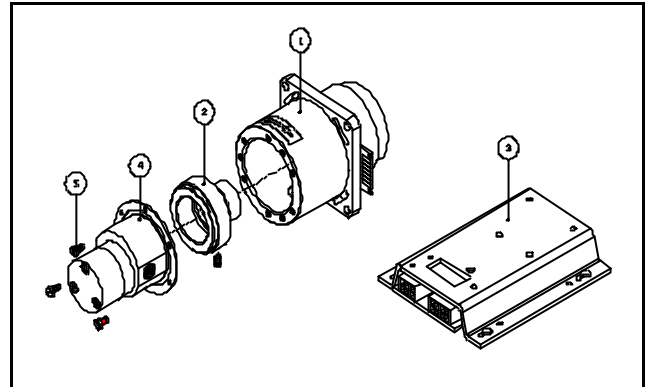
**Fluid-o-Tech** s.r.l.  
20143 Milano - Via Morimondo, 23  
Tel. (39) 02 8917071 - Fax (39) 02 89170799

**Fluid-o-Tech International, Inc.**  
161 Atwater st. - Plantsville, CT 06479 USA  
Tel. (860) 276 9270 - Fax (860) 620 0193

# Fluid-o-Tech Magnet Drive Gear Pumps MGBR2 DC Pump-Brushless Motor unit

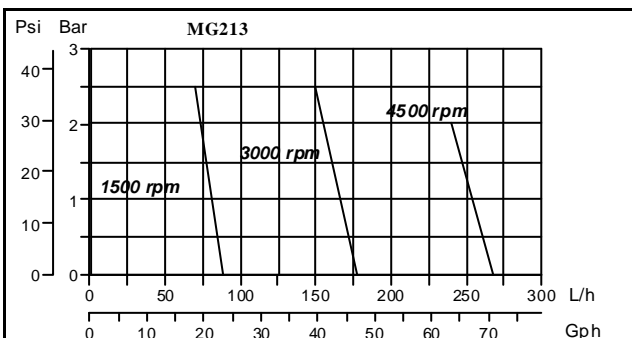
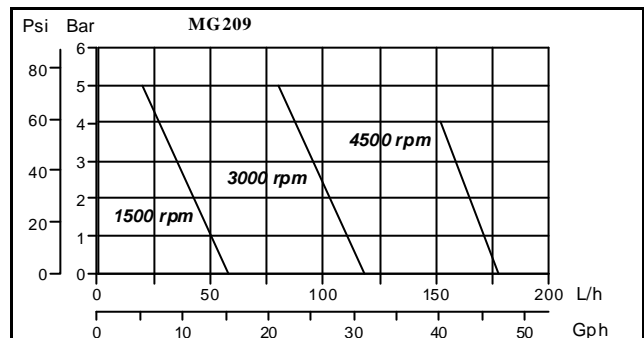
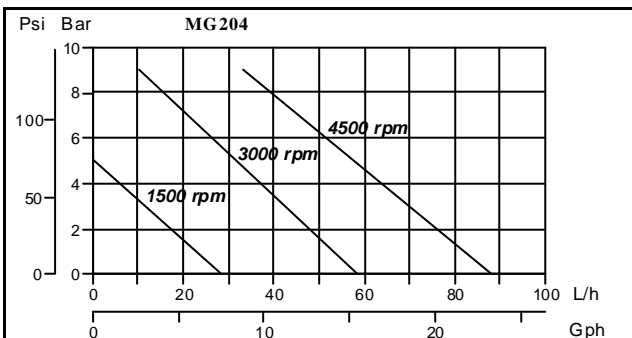
MGBR2  
BULLETIN  
06/98 Edition

Pos.	1	2	3	4	5	6
	MG2	09	X	P	S	17
1	MG2 = Magnet drive gear pump 200 series					
2	04 = 4 mm gears width 09 = 9 mm gears width 13 = 13 mm gears width					
3	X = Body in stainless steel AISI 316					
4	T = PTFE gears/bushings P = Peek gears/bushings					
5	S=Without relief valve C=With relief valve					
6	17 = 1/8 " NPT in-line connections					



### Legenda

Pos.	Description	Code
1	Adapter Motor VD-3-54.14	6230570
2	Driving magnet 6 mm bore	5230030
3	Variotronic 500/501	-
4	Pump	-
5	Pump screw M3X6	6210030



When ordering the complete package MGBR2, which includes motor, driving magnet, screws and adapter, please refer to code 3230340

Please specify the pump model as well.

Ex. MGBR2 + MG209XPS17

**Fluid-o-Tech** s.r.l.  
20143 Milano - Via Morimondo, 23  
Tel. (39) 02 8917071 - Fax (39) 02 89170799

**Fluid-o-Tech International, Inc.**  
161 Atwater st. - Plantsville, CT 06479 USA  
Tel. (860) 276 9270 - Fax (860) 620 0193