

Fluid-o-Tech Magnetic Drive Gear Pumps MGBR1 DC Pump-Brushless Motor unit

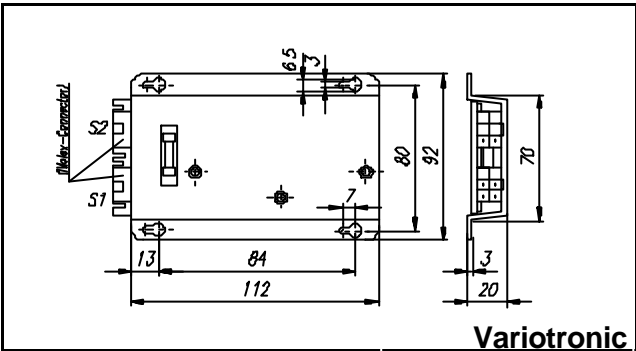
MGBR1
BULLETIN
06/98 Edition

VD-3-43.10 characteristics

Nominal Voltage	(V DC)	24
Voltage Range	(V DC)	10-30
Nominal Speed	(Rpm)	6000
Nominal Torque	(mNm)	56
Nominal Current	(A)	2,8
Nominal Output Power	(W)	35

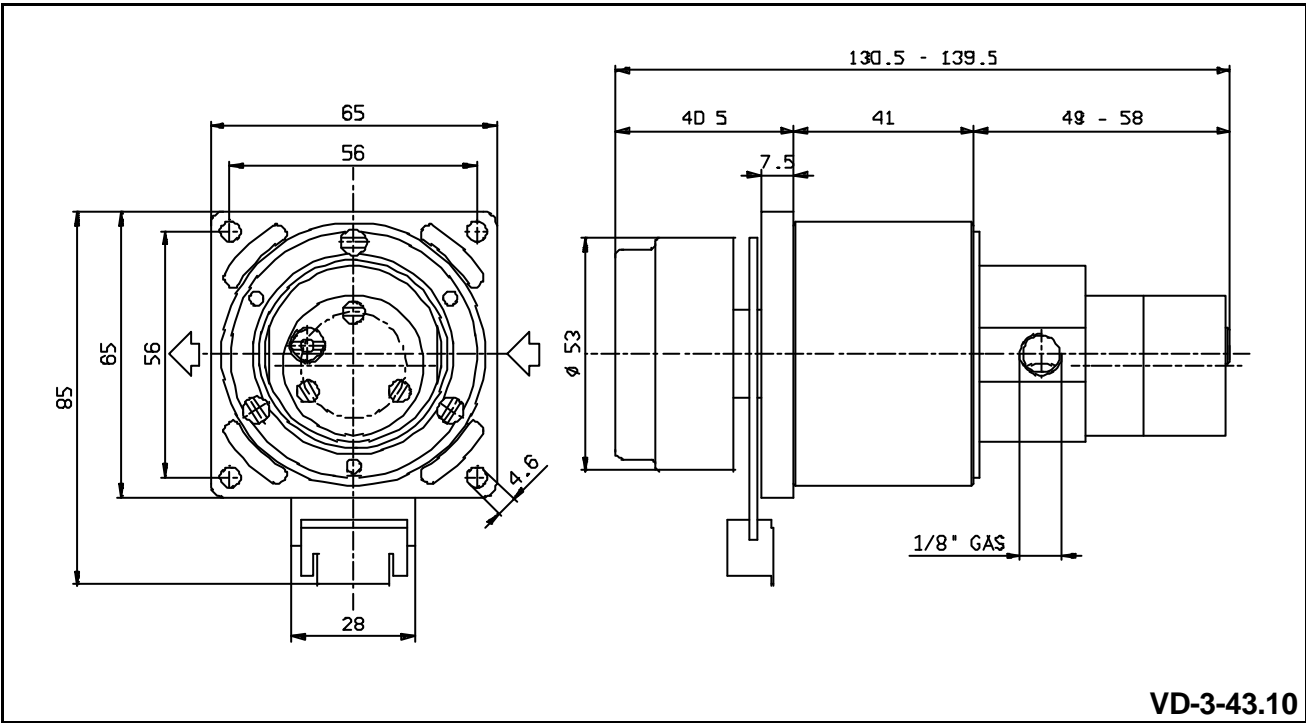
Variotronic 400 -Voltage Control System-

Electronic driver for operation of brushless DC motors through voltage and drive load.
The motor current is permanently limited to its maximum value. Direction of rotation can be changed externally or internally by a solder bridge on the board.



Variotronic 401 -Speed Control System-

Electronic driver for operation of brushless DC motors with a nominal current up to 5A.
In order to change the speed it is possible to change the resistor value on the pcb or to apply an additional external signal to the pcb.
Direction of rotation can be set by using a solder bridge on the board.



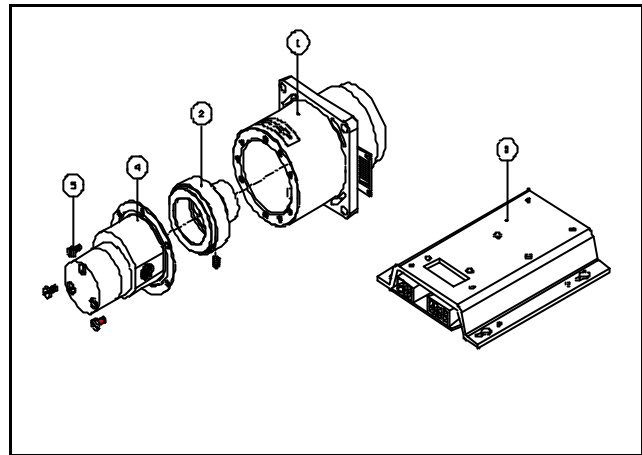
Fluid-o-Tech s.r.l.
20143 Milano - Via Morimondo, 23
Tel. (39) 02 8917071 - Fax (39) 02 89170799

Fluid-o-Tech International, Inc.
161 Atwater st. - Plantsville, CT 06479 USA
Tel. (860) 276 9270 - Fax (860) 620 0193

Fluid-o-Tech Magnetic Drive Gear Pumps MGBR1 DC Pump-Brushless Motor unit

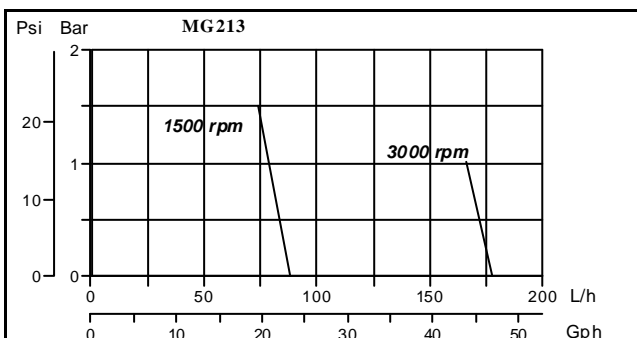
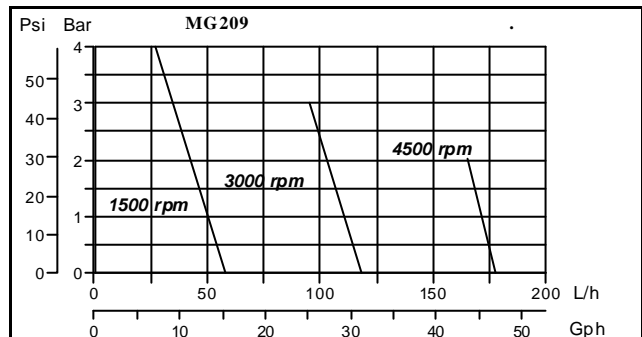
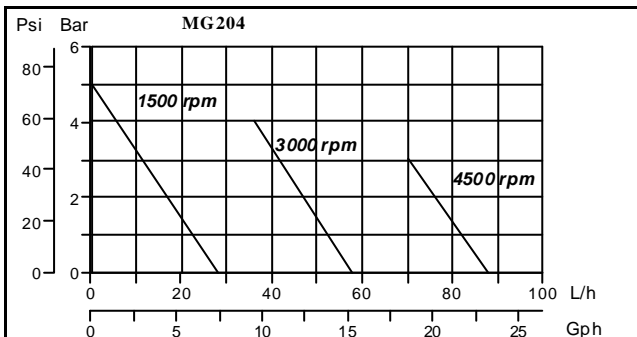
MGBR1
BULLETIN
06/98 Edition

Pos.	1	2	3	4	5
6					
17	MG2	09	X	P	S
1	MG2 = Magnet drive gear pump 200 series				
2	04 = 4 mm gears width 09 = 9 mm gears width 13 = 13 mm gears width				
3	X = Body in stainless steel AISI 316				
4	T = PTFE gears/bushings P = Peek gears/bushings				
5	S=Without relief valve C=With relief valve				
6	17 = 1/8 " NPT in-line connections				



Legenda

Pos.	Description	Code
1	Adapter Motor VD-3-43.10	6230570 6920031
2	Driving magnet 5 mm bore	5230020
3	Variotronic 400/401	-
4	Pump	-
5	Pump screws M3X6	6210030



When ordering the complete package MGBR1, which includes motor, driving magnet, screws and adapter, please refer to code 3230210

Please specify the pump model as well.

Ex. MGBR1 + MG209XPS17

Fluid-o-Tech s.r.l.
20143 Milano - Via Morimondo, 23
Tel. (39) 02 8917071 - Fax (39) 02 89170799

Fluid-o-Tech International, Inc.
161 Atwater st. - Plantsville, CT 06479 USA
Tel. (860) 276 9270 - Fax (860) 620 0193