

# Fluid-o-Tech "Duplex" oscillating piston pumps



The "Duplex" oscillating piston pump is one of a range of new generation oscillating pumps of compact size which embodies design excellence coupled with outstanding performances and reliability.

The "Duplex" pump designed for pumping liquids at low pressure and capacity, operates on the oscillating piston principle.

Motion occurs when the coil is energized with unidirectional impulses created by an alternating current passing through a diode.

## Technical features and manufacturing characteristics

The "Duplex" pump is brass made with threaded female 1/8" inlet and outlet ports, while the ball valves are in glass/EPDM.

The piston working inside a metallic tube is in stainless steel.

The pump may be mounted in any mode on shock absorbing supports for the best quiet operation.

## Electrical characteristics:

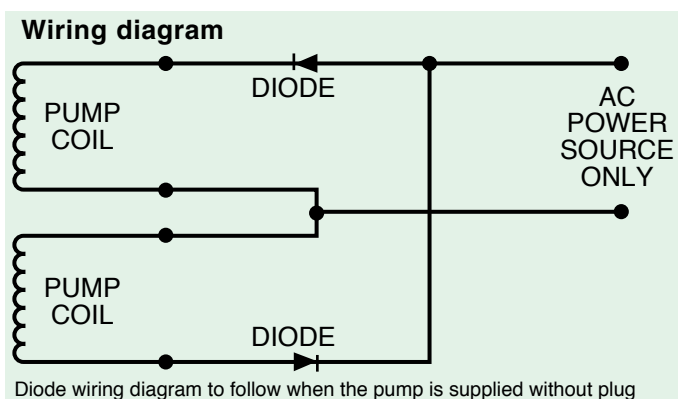
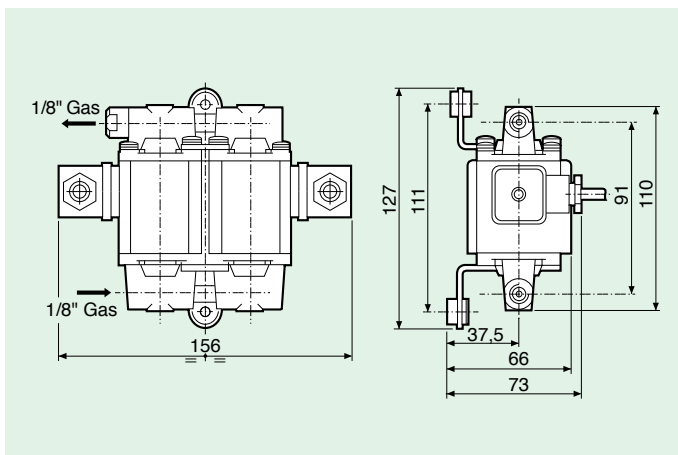
Voltage: 220/240V-50Hz, 100/110V-50/60 Hz

Power: 140 W

Current consumption: 1.6 A at 220V/50Hz  
2.7 A at 110V/60Hz

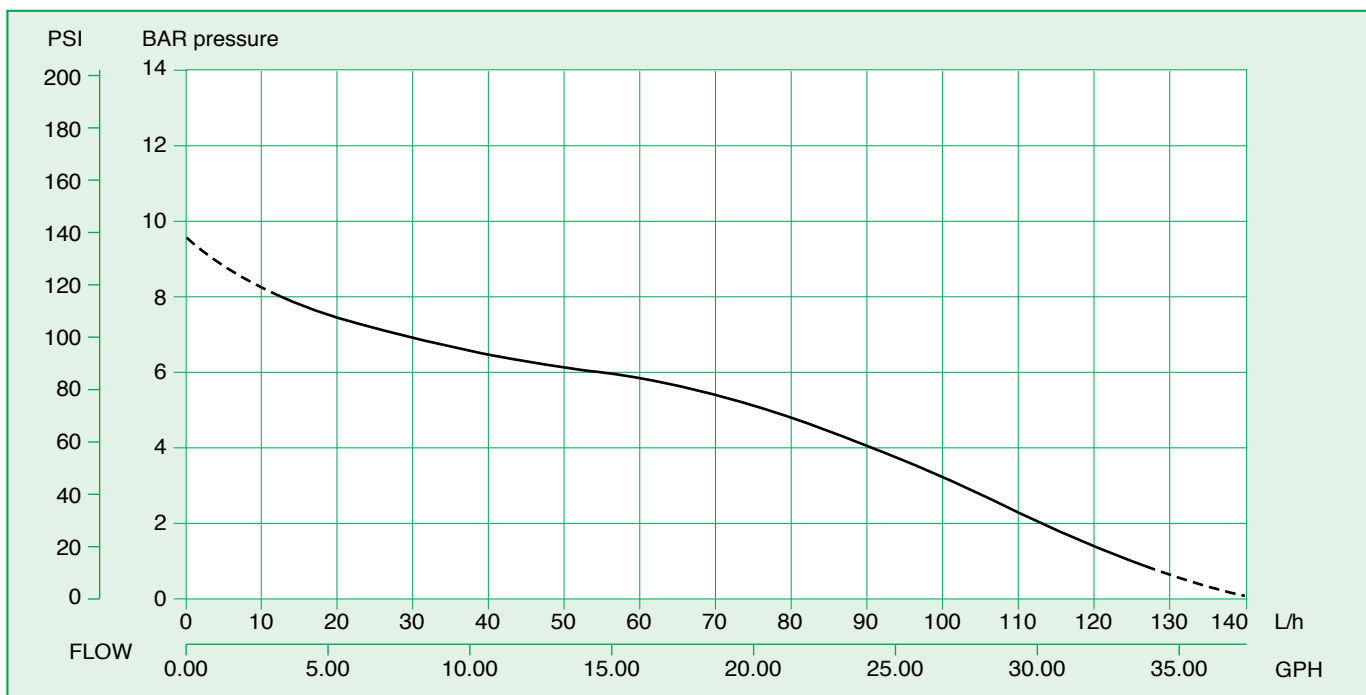
## Main applications:

- Beverage vending machines
- Post-mix drink dispensers
- Reverse osmosis
- Water carbonators
- Ultra - filtration



# Fluid-o-Tech "Duplex" oscillating piston pumps

MODEL	VOLTAGE (V)	FREQUENCY (Hz)	CURRENT CONSUMPTION (A)
4008 PAAL M3N 00C1	220/240	50	1,6
4008 PAAF M3N 00C1	100/110	50/60	2,7



**Fluid-o-Tech** srl

20143 Milano - Via Morimondo, 23 - Tel. (39) 02 8917071 - Fax 02 89170799  
<http://www.fluidotech.it>

VIP DP - 02 00 ED