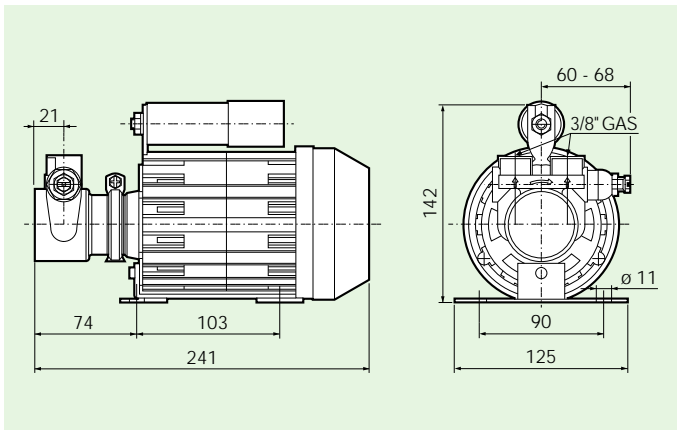


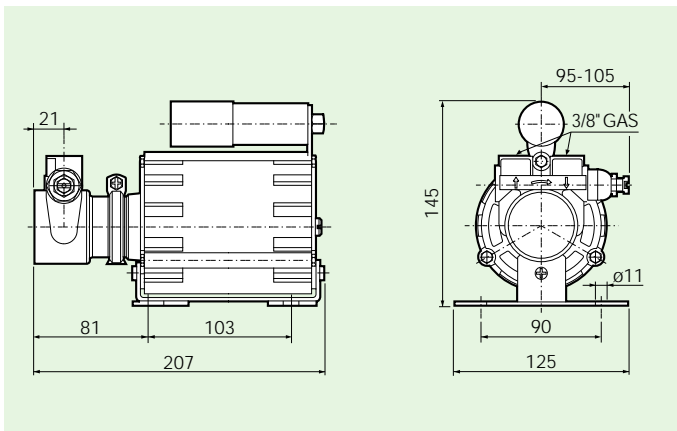
# Fluid-o-Tech rotary vane pumps "Compact"



6900428 (Continuous Duty)



6900098 (Intermittent Duty)



The rotary vane pumps "Compact", manufactured by Fluid-o-Tech and sold worldwide under the trademark Rotoflow, are the smallest volumetric pumps now available on the market for pumping water and moderate aggressive liquids.

## Technical features and manufacturing characteristics

The rotary vane pump "Compact" is brass made with a stainless steel AISI 304 rotor, while the pumping chamber and the vanes are made of graphitic carbon. The inlet and outlet ports are 3/8" GAS threaded.

The pump is equipped with a built-in balanced by-pass able to maintain the set pressure for variations of the inlet pressure.

## Electrical motor characteristics

Drive type	6900428	6900098
Voltage (V)	230 AC	230 AC
Frequency (Hz)	50	50/60
Poles	4	4
Rated speed (rpm)	1320	1320
Current consumption (A)	1	1,4
Output power (W)	120	120
Pump motor weight (kg)	4	4,1

- NSF listed pumps for potable water

In this case the prefix for each model is PA instead of PO.



## Main applications

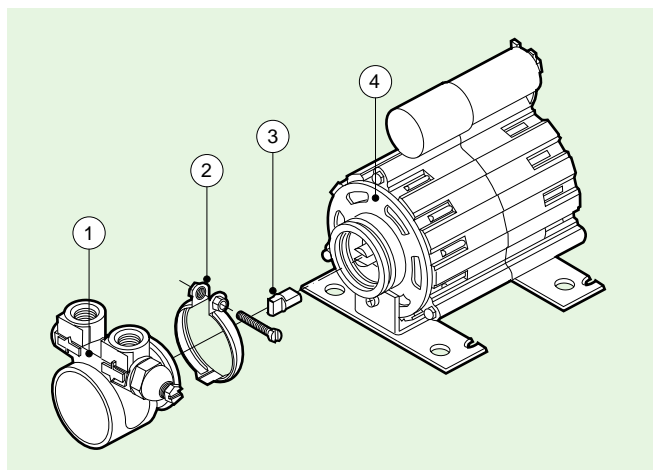
- Beverage vending machines
- Espresso coffee machines
- Reverse osmosis
- Ultra-filtration
- Cooling systems



**Fluid-o-Tech** srl  
 20143 Milano - Via Morimondo, 23  
 Tel. (39) 02 8917071 - Fax (39) 02 89170799  
<http://www.fluidotech.it>

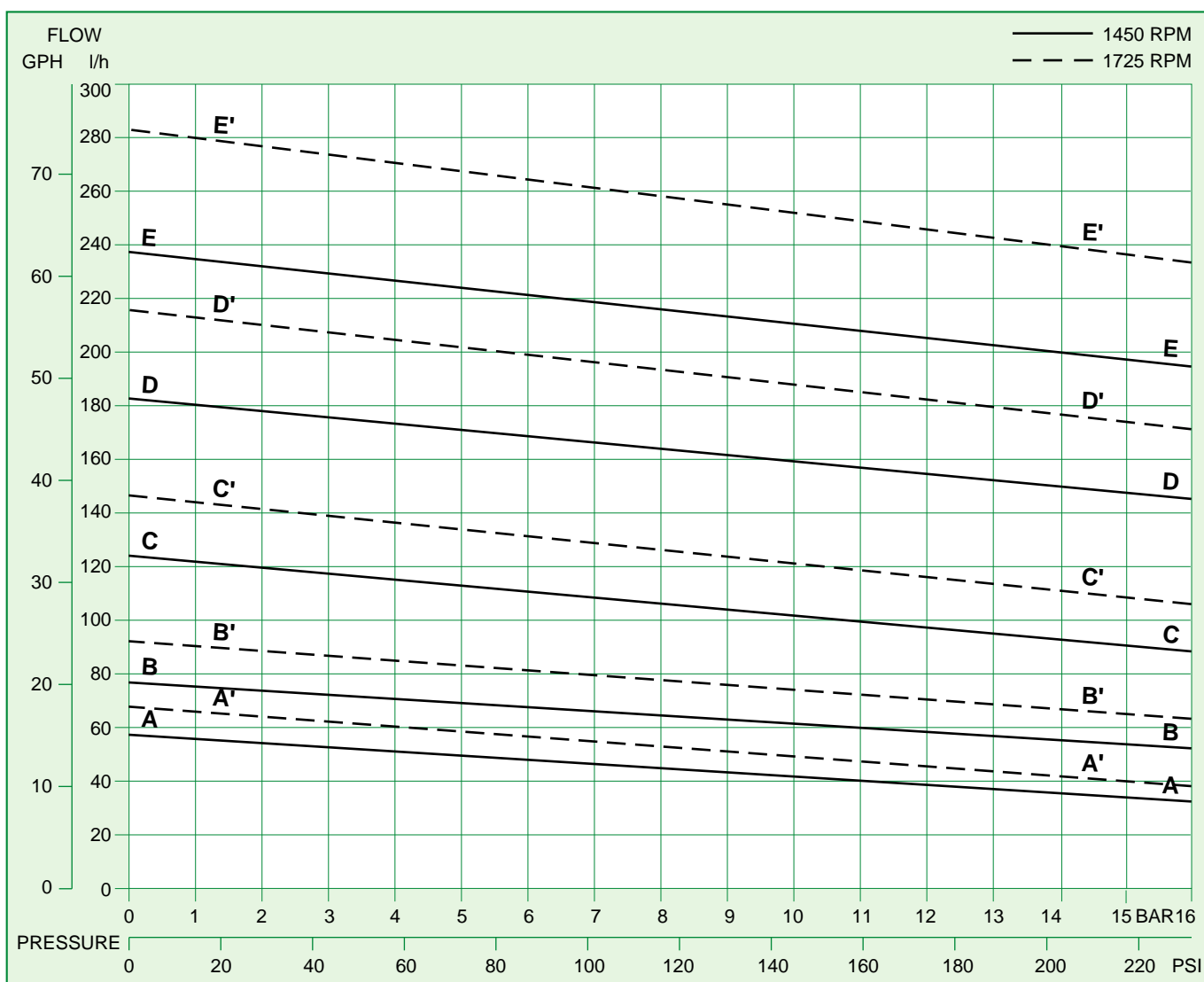
**Fluid-o-Tech** International, Inc  
 161 Atwater St., Plantsville, CT 06479  
 Tel. (860) 276-9270 - Fax (860) 620-0193

# Fluid-o-Tech rotary vane pumps "Compact"



Pos.	Description	Intermittent duty	Continuous duty
1	Pump	-	-
2	V-band clamp	3000160	3000160
3	Coupling	6000910	6000910
4	Driver	6900098 (C0137.00)	6900428 (C0137.18)

Model	By-Pass	Figure at 50 Hz	Figure at 60 Hz
PO 032	BALANCED	A-A	A'-A'
PO 052	BALANCED	B-B	B'-B'
PO 102	BALANCED	C-C	C'-C'
PO 152	BALANCED	D-D	D'-D'
PO 202	BALANCED	E-E	E'-E'



- Characteristics with water at 20 C and by-pass blocked

- Figures of flow are averages - Pump weight: 0,9 kg - Use filter before pump inlet not larger than 20µ



**Fluid-o-Tech** srl

20143 Milano - Via Morimondo, 23 - Tel. (39) 02 8917071 - Fax (39) 02 89170799 - <http://www.fluidotech.it>

COMP. - 06 99 ED