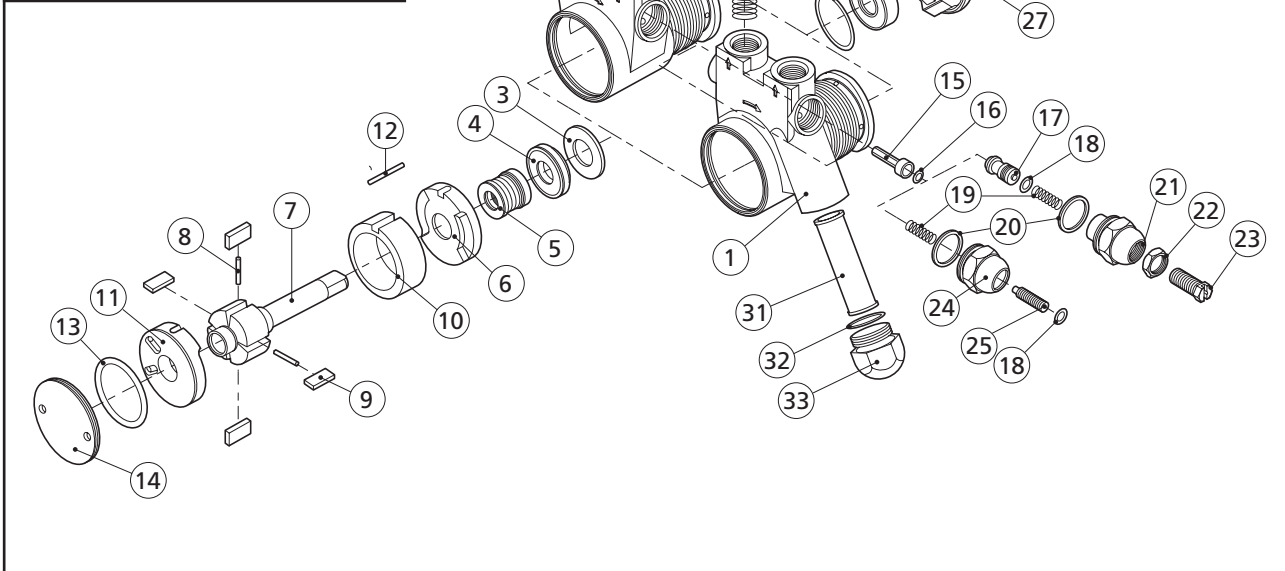


Fluid-o-Tech positive displacement brass rotary vane pumps spare parts list



POS.	DESCRIPTION	MATERIAL	DWG	CODE	NOTES
1	HOUSING	BRASS	22188	5000040	
	HOUSING W/FILTER	BRASS	22213	5000070	
2	BALL BEARING		22084	6000149	
3	WASHER	S.S.	22113	6000180	
4	SEAL COUNTERFACE	CERAMIC/NBR	22345	3000089	NSF
		CERAMIC/VITON	22233	3000049	
		CERAMIC/EPDM	22614	6002360	WRAS
5	SEAL	GRAPHITE/NBR	22689	6002830	NSF
		GRAPHITE/VITON	22615	6002370	
		GRAPHITE/EPDM	22616	6002380	WRAS
6	REAR FLANGE	GRAPHITE	22160	6000289	
7	ROTOR	S.S.	22077	5000019	
8	PIN	S.S.	22164	5000129	70-100 l/h
			22461	6000819	150 l/h
			22008	5000009	200 l/h
			22462	6000829	250 l/h
			22085	5000039	300 l/h
			22463	6000839	350 l/h
9	VANE	GRAPHITE	22097	6000159	

Fluid-o-Tech positive displacement brass rotary vane pumps spare parts list

POS.	DESCRIPTION	MATERIAL	DWG	CODE	NOTES
10	LINER	GRAPHITE	22374	5000329	70 l/h
			22163	5000109	100 l/h
			22364	5000319	150 l/h
			22158	5000069	200 l/h
			22429	5000379	250 l/h
			22159	5000089	300 l/h
			22251	5000179	350 l/h
			22239	5000149	400 l/h
11	FRONT FLANGE	GRAPHITE	22166	6000309	
12	ALIGNMENT PIN	S.S.	22150	6000249	25 mm
13	O-RING	NBR	22035	6000029	
		VITON	22119	6000219	
		EPDM	22474	6001450	
14	THREADED CAP	BRASS	22181	6000240	
15	OPEN BY PASS VALVE	BRASS	22307	3000059	
		PLASTIC	22541	3000220	
	SOLID BY PASS VALVE	BRASS	22306	6000360	
		PLASTIC	22540	6001950	
16	BY PASS VALVE FILTER	S.S.	22357	6000620	
17	BY PASS PLUNGER	PLASTIC	22527	6001860	
18	O-RING BY PASS SCREW	NBR	22055	6000069	
		VITON	22120	6000229	
		EPDM	22475	6001460	
19	SPRING	S.S.	22505	6001660	
20	WASHER	NYLON®	22054	6000049	
		PTFE	22666	6002630	WRAS
21	BALANCED BY PASS NUT	BRASS	22521	6001830	
22	BALANCED BY PASS WASHER	BRASS	22168	6000220	
23	BALANCED BY PASS SCREW	BRASS	22523	6001850	
24	NORMAL BY PASS NUT	BRASS	22506	6001670	
25	NORMAL BY PASS SCREW	BRASS	22507	6001680	
27	CLAMP	S.S.	22109	6000189	
28	CLAMP SCREW	S.S.	22549	6001980	
29	RETAINER SPRING	S.S.	22023	6000090	
30	CAP	SPONGE	22044	6000110	
31	MAIN FILTER	S.S./PLASTIC	22421	3000129	70 mesh
			22440	3000139	50 mesh
32	O-RING FILTER NUT	NBR	22067	6000089	
		VITON	22525	6001810	
		EPDM	22526	6001820	
33	FILTER NUT	BRASS	22062	6000170	
37	BALL BEARING SEAT O-RING	NBR	22504	6001650	

SPARES – BR – 4/04 Ed.



Fluid-o-Tech
PUMP TECHNOLOGY AT ITS BEST

Via Morimondo, 23
20143 Milano - Italy
Tel. (39) (02) 8917071
Fax (39) (02) 89170799

161 Atwater St.,
Plantsville CT (USA) 06479
Tel. (1) (860) 276-9270
Fax (1) (860) 620-0193

203, 2-17-19, Ebara, Shinagawa
Tokyo 142-0063, Japan
Tel. (81) (0) 3-3783-9660
Fax (81) (0) 3-3783-9661