

# Fluid-o-Tech Magnet Drive Gear Pumps MGK200-MGK300 series



to complete the existing MG200 series with improved performances in terms of flow rate, pressure, capability to handle high viscosity fluids and a wider offer of materials to suit most applications, from the food to the industrial and chemical markets. The housing of the pump and the internal metal parts are available in AISI 303, AISI 316L or SAF 2205. The gears are available in PTFE or Peek™. The driving magnet, available in Ferrite or in rare earths, is capable to drive the pump at high pressure. The quality of the materials of the assembled components allows handling of fluids with temperatures up to 120 °C (248 °F).

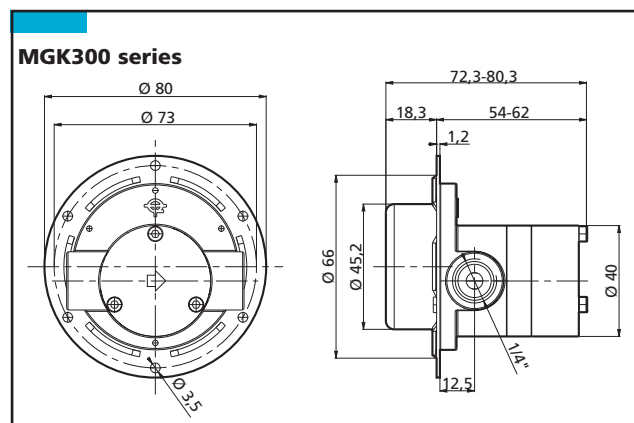
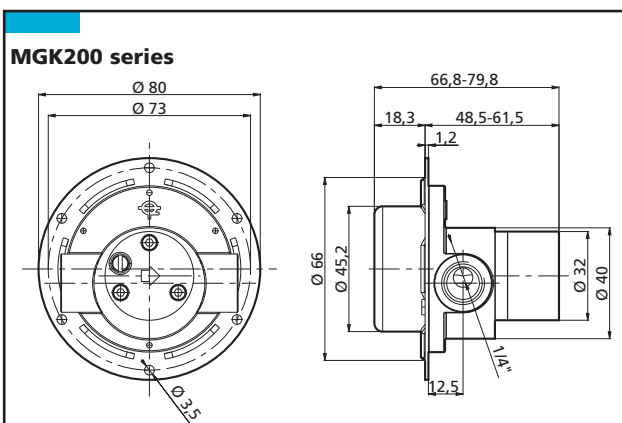
The pulsation-free and noiseless operation is the result of precision gears accurately assembled and balanced within the housing combined with the magnetic coupling which grants the perfect alignment. The Sanitary design makes this pump series the preferred candidate for use in medical applications where trouble-free products are needed.

## Main Applications

- Medical and surgical equipment
- Hemodialysis apparatus
- Seal flush
- Laser apparatus
- Lubrication
- Ink-jet printing systems
- Cooling systems
- Laboratory instrumentation
- Water purification and ultra-filtration
- Sampling
- Food processing equipment

The MGK200, MGK300 and MGK300 High Viscosity series pumps are designed

- Self priming
- 1/4" F GAS or NPT ports
- Temperature range:  
PTFE -45 to 50 °C / -49 to 122 °F  
peek™ -45 to 120 °C / -49 to 248 °F
- Max system pressure: 20 bar/290 psi
- Relief valve available for MGK200 series only



Max pump weight: 720 g

Fluid-o-Tech reserves the right to alter the specifications indicated in this catalogue at any time and without prior notice

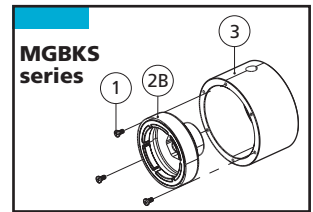
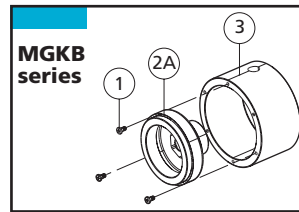
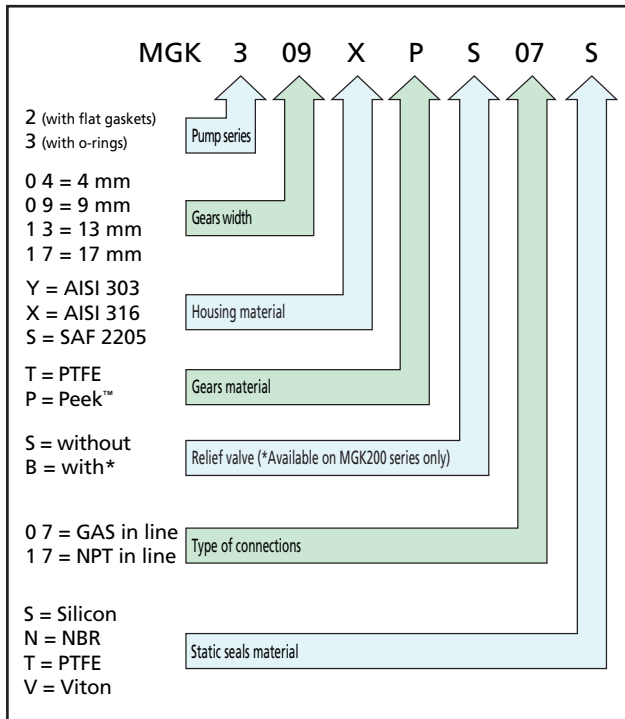


Via Morimondo, 23  
20143 Milano - Italy  
Tel. (39) (02) 8917071  
Fax (39) (02) 89170799

161 Atwater St.,  
Plantsville CT (USA) 06479  
Tel. (1) (860) 276-9270  
Fax (1) (860) 620-0193

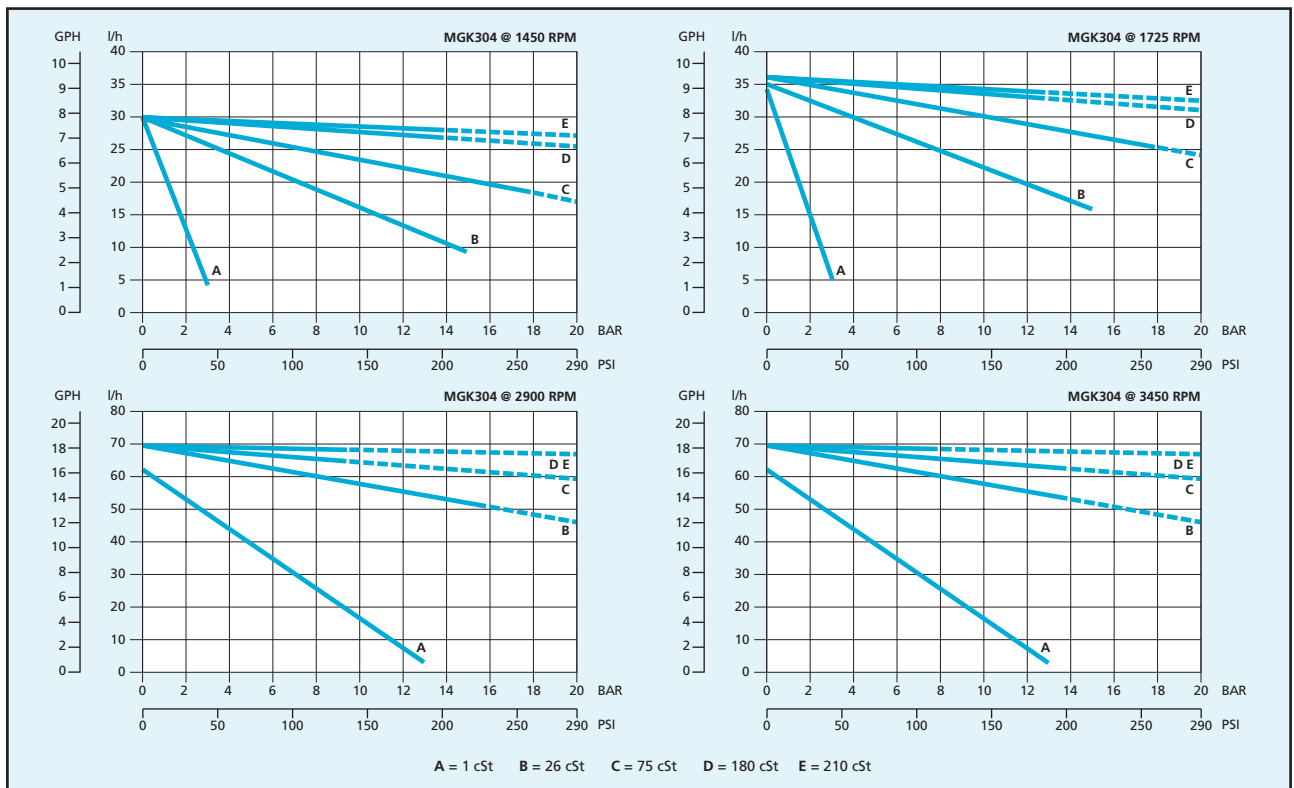
203, 2-17-19, Ebara, Shinagawa  
Tokyo 142-0063, Japan  
Tel. (81) (0) 3-3783-9660  
Fax (81) (0) 3-3783-9661

# Fluid-o-Tech Magnet Drive Gear Pumps MGK200-MGK300 series



| Pos.                      | Model         | Description                | Code    |
|---------------------------|---------------|----------------------------|---------|
| <b>1</b>                  | -             | M3 X 6 AISI 304 Screw      | 6210030 |
| <b>2A</b><br>(ferrite)    | MGKA09        | 9 mm bore                  | 1250150 |
|                           | MGKA11        | 11 mm bore                 | 1250110 |
|                           | MGKA5/8"      | 5/8" bore                  | 1250230 |
| <b>2B</b><br>(rare earth) | MGKAS09       | 9 mm bore magnet           | 1250180 |
|                           | MGKAS11       | 11 mm bore magnet          | 1250200 |
|                           | MGKAS5/8"     | 5/8" bore magnet           | 1250240 |
| <b>3</b>                  | 60310         | M56 B14 Adapter            | 6230580 |
|                           | 60326         | M63 B14 Adapter            | 6230590 |
|                           | 60488         | Nema 56C Adapter           | 6230790 |
| <b>1+2A+3</b>             | MGKB56-09     | Assy M56-B14-LG12/9        | 3230230 |
|                           | MGKB63-11     | Assy M63-B14-LG12/11       | 3230240 |
|                           | MGKB56C-5/8"  | Assy Nema 56C-LG12/5/8"    | 3230620 |
| <b>1+2B+3</b>             | MGKB556-09    | Assy M56-B14-LGN6/9 6P     | 3230630 |
|                           | MGKB563-11    | Assy M63-B14-LGN6/11 6P    | 3230590 |
|                           | MGKB556C-5/8" | Assy Nema 56C-LGN6/5/8" 6P | 3230640 |

## MGK304 - Performance curves at different viscosities



— Operating range with ferrite magnet  
 - - - Operating range with rare earth magnet

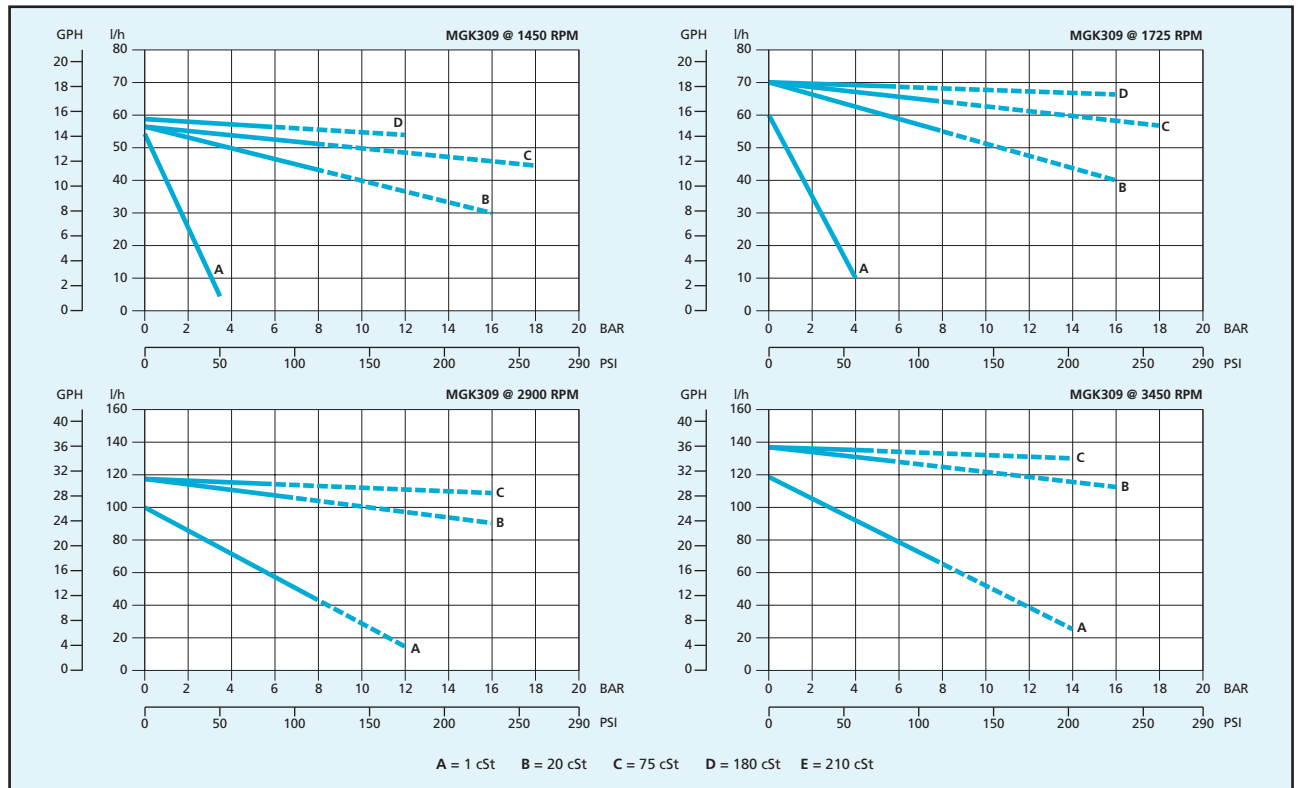


Via Morimondo, 23  
 20143 Milano - Italy  
 Tel. (39) (02) 8917071  
 Fax (39) (02) 89170799

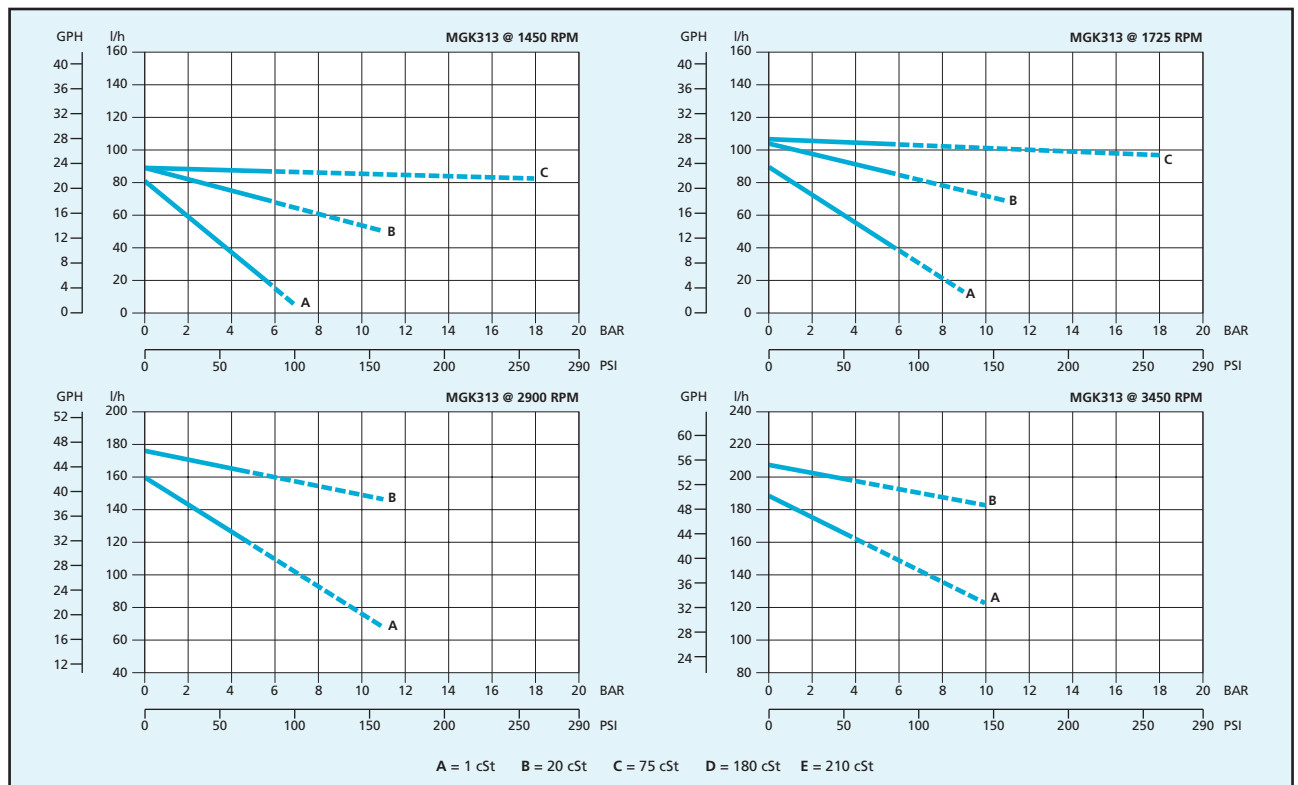
161 Atwater St.,  
 Plantsville CT (USA) 06479  
 Tel. (1) (860) 276-9270  
 Fax (1) (860) 620-0193

203, 2-17-19, Ebara, Shinagawa  
 Tokyo 142-0063, Japan  
 Tel. (81) (0) 3-3783-9660  
 Fax (81) (0) 3-3783-9661

## MGK309 - Performance curves at different viscosities

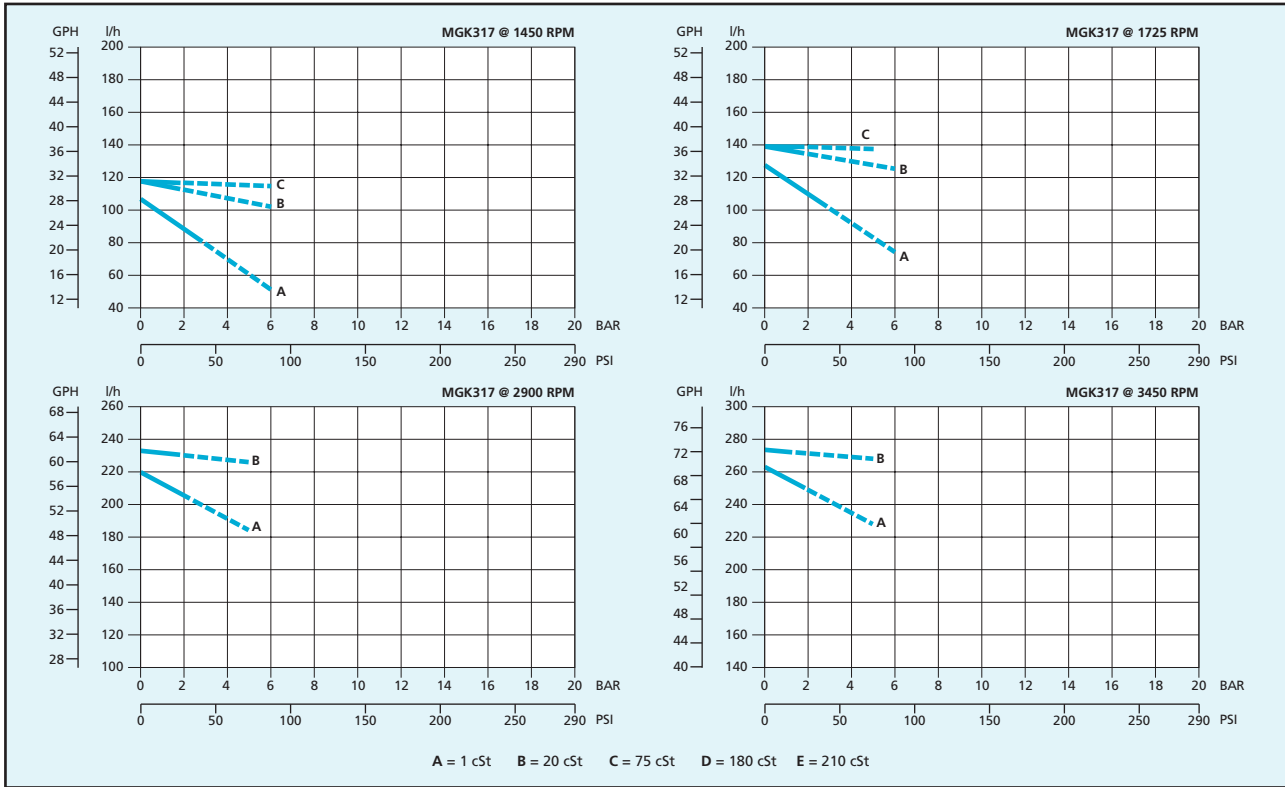


## MGK313 - Performance curves at different viscosities

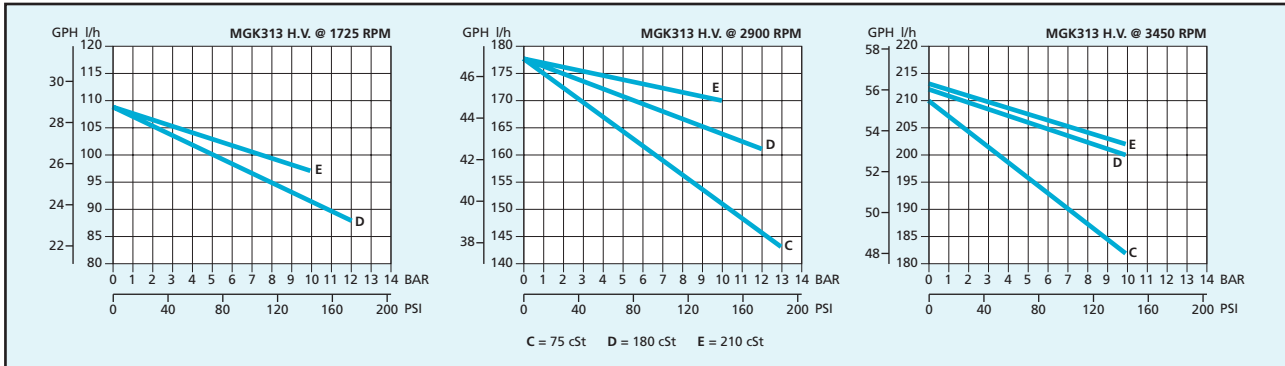


— Operating range with ferrite magnet  
 - - - Operating range with rare earth magnet

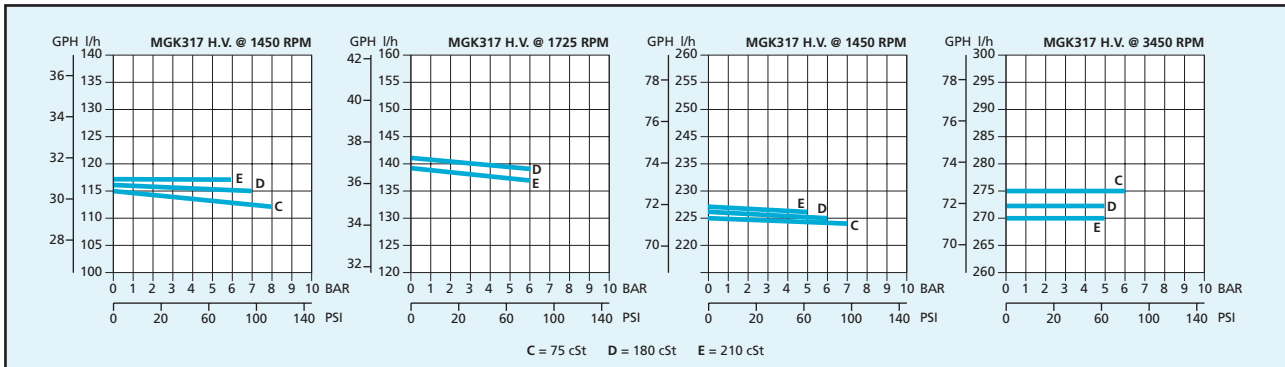
## MGK317 - Performance curves at different viscosities



## MGK313 High viscosity - Performance curves at different viscosities\*



## MGK317 High viscosity - Performance curves at different viscosities\*



For applications involving fluids different from water, high temperatures or unusual processing conditions, please consult the factory or an authorized Fluid-o-Tech distributor  
 \*Note: The inlet pipe diameter must be at least 10 mm

MGK - 09/04 Ed.



Via Morimondo, 23  
 20143 Milano - Italy  
 Tel. (39) (02) 8917071  
 Fax (39) (02) 89170799

161 Atwater St.,  
 Plantsville CT (USA) 06479  
 Tel. (1) (860) 276-9270  
 Fax (1) (860) 620-0193

203, 2-17-19, Ebara, Shinagawa  
 Tokyo 142-0063, Japan  
 Tel. (81) (0) 3-3783-9660  
 Fax (81) (0) 3-3783-9661