

AP Series

SEALED METALLIC PUMPS

AP 6 & 8 Series Centrifugal Pumps Horizontal (AC) & Vertical (AV) 1/2 to 15 HP



AC6



AV8

Features

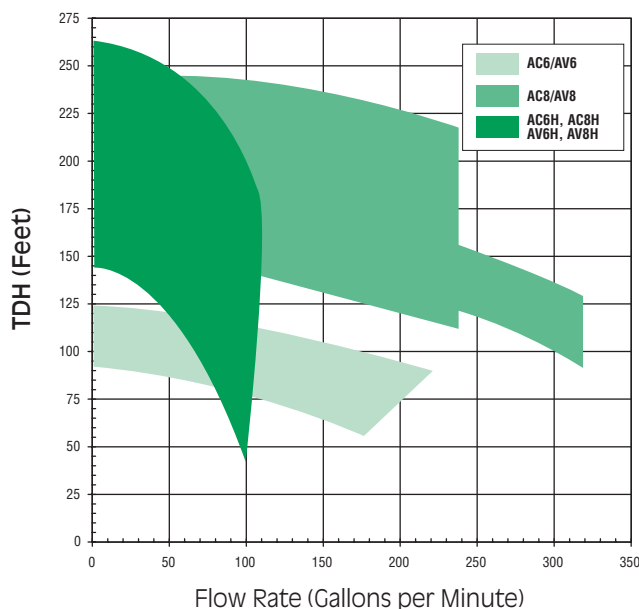
- Close coupled or pedestal mounted
- Horizontal and vertical
- Corrosion resistant 316 stainless steel
- Standard NEMA
- NPT threads
- Compact design with secure 304 SS V-clamp construction
- Standard or high head impellers
- Bellows Type 21 seals with Viton, EPDM or Kalrez®
- Viton, EPDM, or carbon lower bushings for vertical pumps
- Maximum temperature 300°F (149°C)

Typical Applications

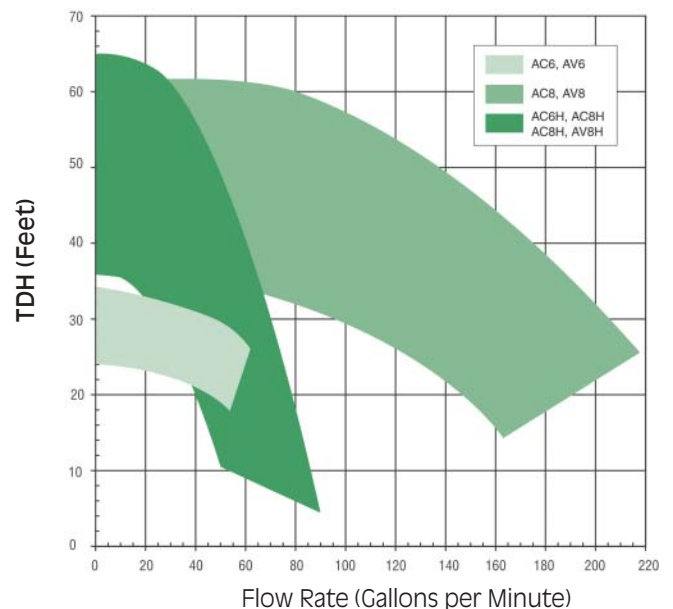
- Chemical processing, plating, photo processing, cleaning, printed circuit boards, pharmaceutical, waste water treatment, and cooling towers

Performance

60 Hz 3450 rpm



60 Hz 1725 rpm



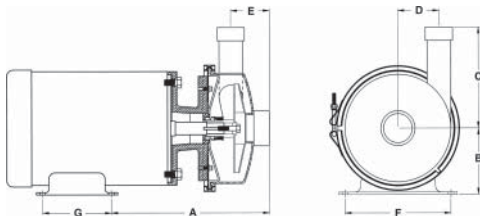
Specifications

MODEL	PORT SIZE* inches	IMPELLER SIZE inches	MAX. FLOW		MAX. HEAD		MOTOR DRIVE	
			3450 rpm gpm	1725 rpm gpm	3450 rpm ft	1725 rpm ft	3450 rpm hp	1725 rpm hp
AC6/AV6	1-1/2 x 1-1/4 2 x 1-1/2	5-1/4 5-3/4 6	107-216	54-108	107-137	26-34	5 7-1/2	1/2 3/4 1
AC8/AV8	2 x 1-1/2 2-1/2 x 2	6-1/2 7 7-1/2 8	242-321	164-218	165-247	38-58	7-1/2 10 15	1 1-1/2 2
AC6H/AV6H	1-1/4 x 3/4	6-1/4	100	50	144	36	3	1/3
AC8H/AV8H	1-1/4 x 3/4	7 8	105	90	263	65	3 5 7-1/2	1/2 3/4 1

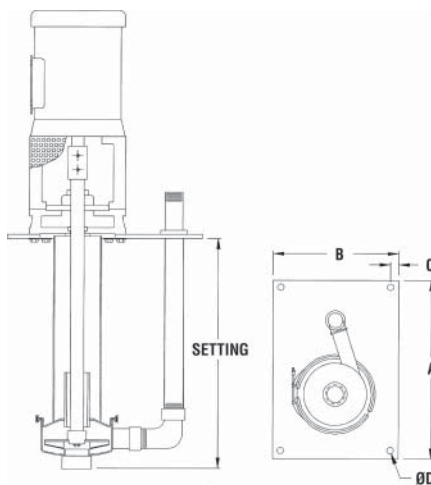
*AV6 and AV8 are available in 2 x 1-1/2 ports only.

Dimensions

AC6 & AC8



AV6 & AV8



MODEL/ FRAME	SUCTION	DISCHARGE	A	B	C	D	E	F	G
AC6SJS 182-184JM	1-1/2 2	1-1/4 1-1/2	11 11-1/8	4-1/2 4-1/2	5-3/4 5-3/4	2-1/2 2-7/16	2-7/16 2-5/8	7-1/2 7-1/2	4-1/2/5-1/2 4-1/2/5-1/2
145JM	1-1/2 2	1-1/4 1-1/2	10-3/8 10-1/2	3-1/2 3-1/2	5-3/4 5-3/4	2-1/2 2-7/16	2-5/8 2-5/8	5-1/2 5-1/2	5 5
AC6HJS 182-184JM 145JM, 90FR	1-1/4	3/4	9-5/16	3-1/2	5-1/4	2-7/8	1-3/4	5-1/2	5
AC8SJS 184JM 213JM 213-215JM	2 2 2-1/2	1-1/2 1-1/2 2	11-3/8 12-1/2 12-7/8	4-1/2 5-1/4 5-1/4	7-5/16 7-5/16 7-5/16	3-1/2 3-1/2 3-3/16	2-5/8 2-5/8 3-1/8	7-1/2 8-1/2 8-1/2	5-1/2 5-1/2 5-1/2/7
AC8HJS 182-184JM 145JM	1-1/4 1-1/4	3/4 3/4	10-5/16 9-9/16	4-1/2 3-1/2	5-1/4 5-1/4	3-3/4 3-3/4	2-1/16 2-1/16	7-1/2 5-1/2	4-1/2/5-1/2 5

MODEL/ FRAME	SUCTION	DISCHARGE	SETTING*	A	B	C	D
AV6/AV8 56C 182-184TC 213-215TC	2	1-1/2	22/34/46	18	12	3/4	9/16
AV6HJS AV8HJS 56C 182-184TC 213-215TC	1-1/4	3/4	22/34/46	18	12	3/4	9/16

Note: All dimensions are in inches.
*Setting dimension is approximate.



FINISH THOMPSON INC.

921 Greengarden Road • Erie, PA 16501-1591 U.S.A.

Ph 814-455-4478 • Fax 814-455-8518

Email fti@finishthompson.com • www.finishthompson.com

Toll Free USA & Canada 1-800-934-9384
Literature I.D. No. - FT97-651E

