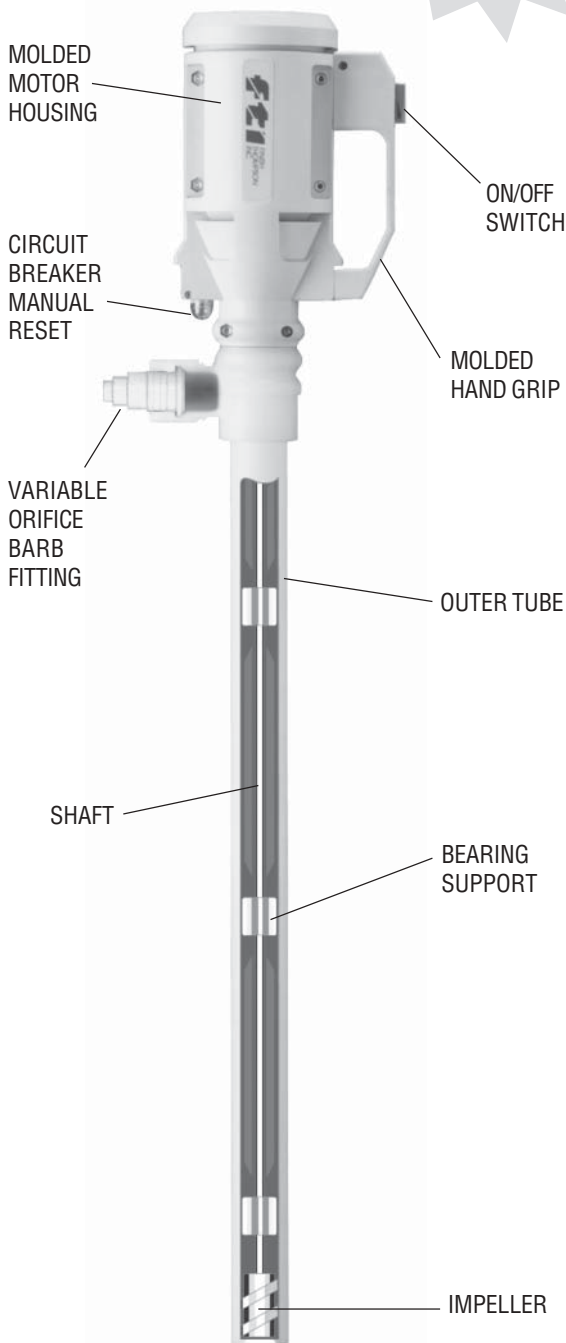


TBP Series

DRUM / BARREL PUMPS

Light to Medium Viscosity

Ideal for Bleach



The TBP series is an economical, light to medium viscosity drum pump **constructed of pure materials** for use with bleach, nitric acids, hydrochloric acids, sulfuric acids, etc. The 1.66" (42mm) tube diameter is designed to accommodate drums with smaller bung openings. Typical applications include: Municipal water treatment facilities, swimming pool supply houses, water parks, anywhere that bleach is used in drums/barrels or containers.

Features

- Sealed
- Unique lifting compressor design
- Handles corrosive liquids
- Pump interchangeable with motors

Performance

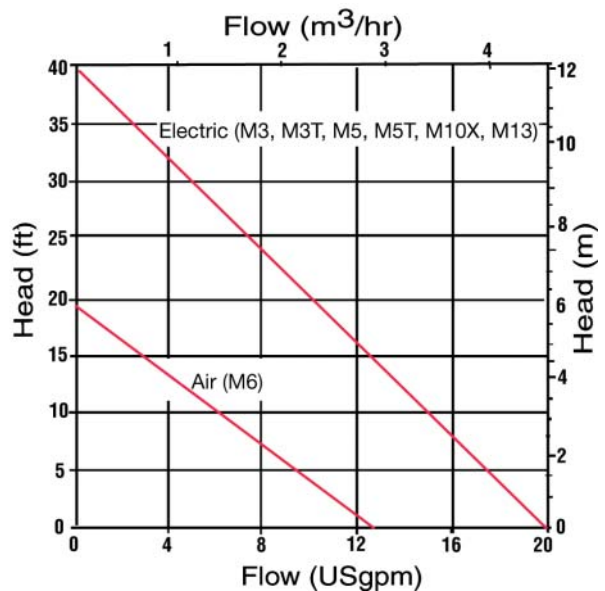
- Viscosities up to 200 cP
- Densities up to 1.4 specific gravity
- Maximum 150°F (66°C)

ELECTRIC (50/60 Hz)

- 20 gpm (75.7 lpm)
- 39.5 feet TDH (12 meters)

AIR

- 12.5 gpm (47.3 lpm)
- 19 feet TDH (5.8 meters)



Tube Specifications



TBP

MODEL	TUBE				SEAL	SHAFT	INTERNALS	HOSE SIZE REQUIRED
	MATERIAL	DIA.	LENGTH					
			in.	cm				
TBP	Pure Polypro/ Pure PVDF	1.66" (42mm)	27 40 48	69 102 122	Graphite filled PTFE	Alloy 625	PTFE	1" 25.4mm

Motor Specifications



Electric motors are available in 115V or 230V, single phase, 50/60 Hz. All are equipped with 12 ft. (366 cm) cord, circuit breaker with manual reset, internal cooling fan, and built-in on/off switch. Motors are rated continuous duty.

MODEL	TYPE	CERTIFICATIONS	ELECTRICAL REQUIREMENTS	HP	RPM
M3	Dripproof	CSA	115VAC/50-60 Hz	1/2 .37 kW	10,000
M3T	TEFC	CSA	115VAC/50-60 Hz	1/2 .37 kW	10,000
M5	Splashproof IP44	CE	230VAC/50-60 Hz	1/2 .37 kW	10,000
M5T	TEFC IP54	CE	230VAC/50-60 Hz	1/2 .37 kW	10,000
M10X†	EXP - IP54 EEx d IIA, T4	CE Ex DEMKO	230VAC/50-60 Hz	1/2 .37 kW	10,000
M6	Air*	CE		1/2 .37 kW	300 - 6,000
M13	Splashproof IP44	CE	115VAC/50-60 Hz	1/2 .37 kW	10,000

NOTE: TBP is not designed to pump flammable liquids.

† Recommended for pumping non-flammables in an explosionproof environment

* An air motor is a non-electrical device. This means the possibility of explosion from igniting flammables or combustibles is reduced.



Air motor (M6) shown with regulator valve, muffler. 80-100 psi at 25 cfm.



FINISH THOMPSON INC.

921 Greengarden Road • Erie, PA 16501-1591 U.S.A.

Ph 814-455-4478 • Fax 814-455-8518

Email fti@finishthompson.com • www.finishthompson.com

Toll Free USA & Canada 800-934-9384
Literature I.D. No. FT00-814B, 3-10-04

