

# KC Series

MAGNETIC SEALLESS PUMPS

## KC3 Sealless Centrifugal Pumps

1/8 HP  
.07 kw



KC3 ODP

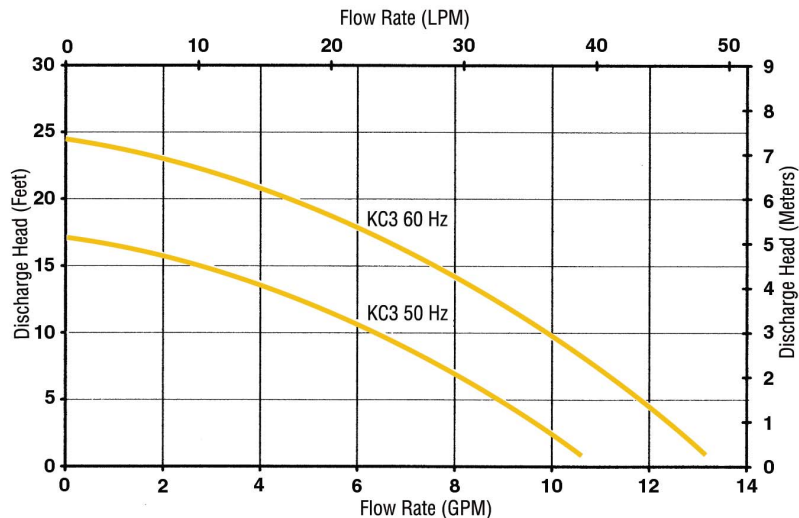
## Features

- Neodymium magnetic technology
- 1.0 SG
- Polypropylene or PVDF
- ODP (IP 22) motor
- NPT or BSP threads
- Carbon or PTFE bushing
- Viton or EPDM o-ring
- Back pull-out design for easy service

## Typical Applications

- OEM applications
- Water applications
- Spray booths
- Rinsing booths
- Chlorinated water
- De-ionizing water
- Recirculating water

## Performance



# Specifications

MODEL NUMBER	SUCTION FNPT or FBSP (DISCHARGE) (MNPT or MBSP)	IMPELLER SIZE		MAX. FLOW		MAX. HEAD		SPECIFIC GRAVITY* @ 30 CPS	MOTOR		MAX. WORKING PRESSURE	WEIGHT**		MAX.		MAX.	
				3450 rpm	2850 rpm	3450 rpm	2850 rpm		60 Hz	50 Hz				TEMP. PP	TEMP. PVDF		
		inch	cm	US gpm	lpm	ft	m		HP (kW)	kW (HP)		psi	lbs	kg	°F	°C	°F
KC 3	1" (1/2")	2.3	5.8	13.5	38	24	5	1.0	1/8 (.094)	.07 (.08)	60	14	6.35	180	82	220	104

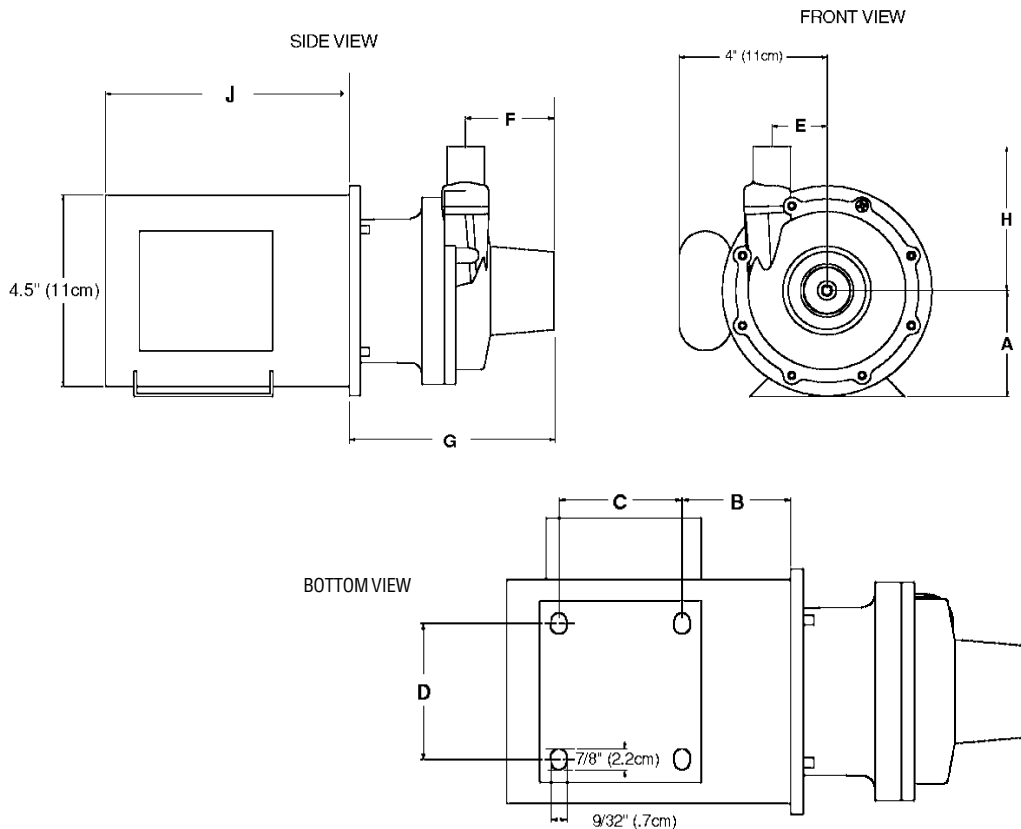
\*Obtainable without trimming impeller.

\*\*Varies with motor.

Note: Actual performance may vary. Pump models and performance vary with conditions.

# Dimensions

MODEL NUMBER	THREAD	A		B		C		D		E		F		G		H		J	
		inch	cm	inch	cm	inch	cm	inch	cm	inch	cm	inch	cm	inch	cm	inch	cm	inch	cm
		KC 3	NPT	2-5/8		1		2-1/8		3-1/2		1-1/4		2		4-5/8		3-1/4	
	BSP		6.7		2.54		5.4		8.9		3.2		5.1		11.7		8.3		16



Drawings are for reference only.



## FINISH THOMPSON INC.

921 Greengarden Road • Erie, PA 16501-1591 U.S.A.  
Ph 814-455-4478 • Fax 814-455-8518  
Email [fti@finishthompson.com](mailto:fti@finishthompson.com) • [www.finishthompson.com](http://www.finishthompson.com)

Toll Free USA & Canada 1-800-934-9384  
Literature I.D. No. - FT99-747C



9/03