

# OBERDORFER DIESEL TRANSFER GEAR PUMPS

CONTENTS

## 1 - 2 GPM IN AC AND DC VOLTAGES

The low flow bronze Oberdorfer gear pumps are ideal for diesel transfer in the marine environment. They are available with or without relief valve in single or three phase, 50 or 60 hz, 12 or 24 vdc, IEEE-45 enclosure and custom configurations that meet MCA, Lloyds, ABS and USCG specifications. Below are some examples of the sizes available. Call us for information on a model to meet your specifications.

| GPM at 20 PSI | HP  | Port Size | 115/230 vac, 1 Phase 60hz, TEFC Model | 230/460 vac, 3 Phase 60hz, TEFC Model | 12 vdc TEFC Model | 24 vdc TEFC Model |
|---------------|-----|-----------|---------------------------------------|---------------------------------------|-------------------|-------------------|
| .84           | 1/4 | 1/4" FPT  | OB N999Q-10C18BCT                     | OB N999Q-30C18BCT                     | OB N999Q-12C18BCT | OB N999Q-24C18BCT |
| 1.35          | 1/4 | 1/4" FPT  | OB N991Q-10C12BCT                     | OB N991Q-30C12BCT                     | OB N991-12C12B    |                   |
| 1.98          | 1/3 | 1/4" FPT  | OB N991Q-10F18BCT                     | OB N991Q-30F18BCT                     | OB N991Q-12F18BCT | OB N991Q-24F18BCT |

HOME

NEXT

BACK



## 3 - 7 GPM IN AC AND DC VOLTAGES

The low flow bronze Oberdorfer gear pumps are ideal for diesel transfer in the marine environment. They are available with or without relief valve in single or three phase, 50 or 60 hz, 12 or 24 vdc, IEEE-45 enclosure and custom configurations that meet MCA, Lloyds, ABS and USCG specifications. Below are some examples of the sizes available. Call us for information on a model to meet your specifications.

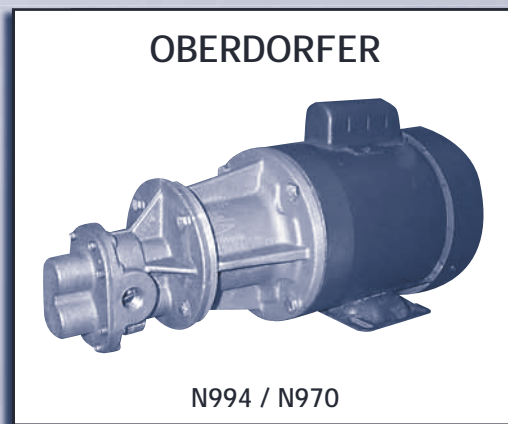
| GPM at 20 PSI | HP  | Port Size | 115/230 vac, 1 Phase 60hz, TEFC Model | 230/460 vac, 3 Phase 60hz, TEFC Model | 12 vdc TEFC Model | 24 vdc TEFC Model |
|---------------|-----|-----------|---------------------------------------|---------------------------------------|-------------------|-------------------|
| 2.72          | 1/4 | 3/8" FPT  | OB N992Q-10C12BCT                     | OB N992Q-30C12BCT                     | OB N992-12C12B    |                   |
| 3.86          | 1/3 | 3/8" FPT  | OB N992Q-10F18BCT                     | OB N992Q-30F18BCT                     | OB N992Q-12F18BCT | OB N992Q-24F18BCT |
| 4.6           | 1/2 | 1/2" FPT  | OB N993Q-10J12BCT                     | OB N993Q-30J12BCT                     |                   |                   |
| 7.00          | 3/4 | 1/2" FPT  | OB N993Q-10M18BCT                     | OB N993Q-30M18BCT                     | OB N993Q-12M18BCT | OB N993Q-24M18BCT |



## 6 - 20 GPM IN AC AND DC VOLTAGES

These medium flow bronze Oberdorfer gear pumps are ideal for diesel transfer in the marine environment. They are available with or without relief valve in single or three phase, 50 or 60 hz, 12 or 24 vdc, IEEE-45 enclosure and custom configurations that meet MCA, Lloyds, ABS and USCG specifications. Below are some examples of the sizes available. Call us for information on a model to meet your specifications.

| GPM at 20 PSI | HP    | Port Size | 115/230 vac, 1 Phase 60hz, TEFC Model | 230/460 vac, 3 Phase 60hz, TEFC Model | 12 vdc TEFC Model             | 24 vdc TEFC Model |
|---------------|-------|-----------|---------------------------------------|---------------------------------------|-------------------------------|-------------------|
| 6.6           | 1/2   | 1/2" FPT  | OB N994H-10J12BCT                     | OB N994H-30J12BCT                     |                               |                   |
| 10.3          | 1     | 1/2" FPT  | OB N994H-10N18BCT                     | OB N994H-30N18BCT                     | OB N994H-12N18BCT             | OB N994H-24N18BCT |
| 13            | 1     | 3/4" FPT  | OB N970H-10N12BCT                     | OB N970H-30N12BCT                     |                               |                   |
| 15            | 1 1/2 | 1" FPT    |                                       | OB N990H-30T12BCT                     |                               |                   |
| 19.2          | 1 1/2 | 3/4" FPT  | OB N970H-10T18BCT                     | OB N970H-30T18BCT                     | OB N970H-12T18BCT (ODP) motor |                   |



## 20 - 40 GPM IN AC AND DC VOLTAGES

These high flow bronze Oberdorfer gear pumps are ideal for diesel transfer in the marine environment. The N990 series is available with or without relief valve. Both series are available in single or three phase, 50 or 60 hz, IEEE-45 enclosure and custom configurations that meet MCA, Lloyds, ABS and USCG specifications. Below are some examples of the sizes available. Call us for information on a model to meet your specifications.

| GPM at 20 PSI | HP | Port Size  | 115/230 vac, 1 Phase 60hz, TEFC Model | 230/460 vac, 3 Phase 60hz, TEFC Model |
|---------------|----|------------|---------------------------------------|---------------------------------------|
| 22.9          | 2  | 1" FPT     | OB N990H-10W18BCT                     | OB N990H-30W18BCT                     |
| 38            | 3  | 1 1/4" FPT | OB N1100Y-10Y12BCT                    | OB N1100Z-30Y12BCT                    |

