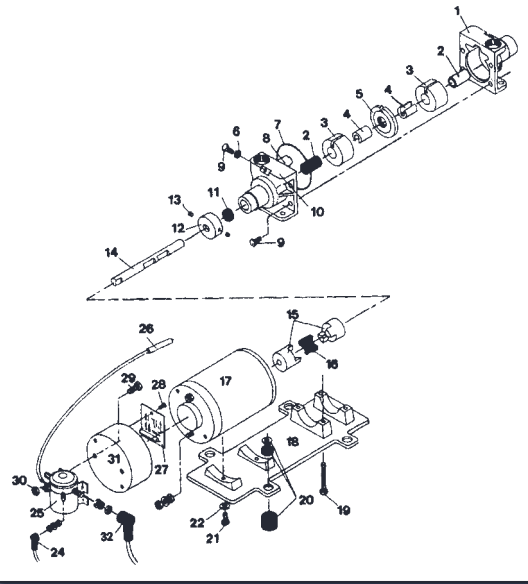


# GROCO WATER SYSTEM PUMPS

## PARAGON SR (PSR)

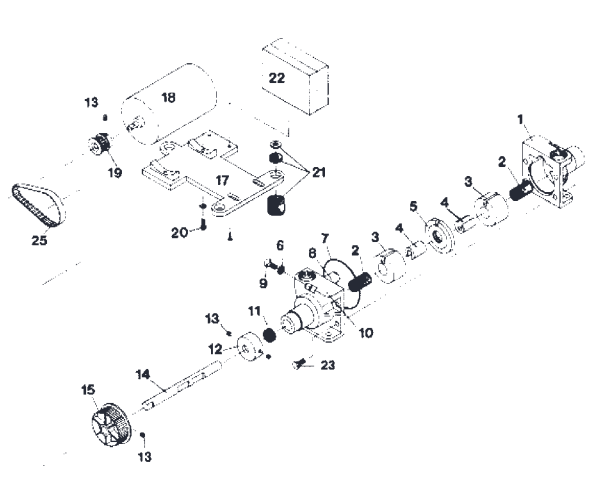


- Included in PSR Master Kit
  - \* Included in PSR Regular Kit
- Items 1-14 - P-9000 Pump Assembly

R	M	Item	Part Number	Part Name	Qty.
		1	P-9002	Back Pump Housing	1
		2	P-9009	Carbon Bearing	2
	•	3	P-9014	Teflon Impeller Set (2)	1
		4 / 14	P-9003 / P-9004	Eccentric / Shaft	2
		5	P-9006	Separator	1
	•	N.S.	P-9006-A	Separator Washer	2
	•	6 }	P-9005	Seal (Before S/N 0185)	2
*	•		2-010	O-Ring (After S/N 0185)	2
	•	7 }	2-041	O-Ring (Before S/N 0186)	1
*	•		2-042	O-Ring (After S/N 0186)	1
		8	P-9007	Impeller Guide	1
		9	1420X34HS	Screw	2
		10	P-9001	Front Pump Housing	1
*	•	11	P-9015	Seal	1
		12	P-9020	End Cap	1
		13	1032X316SS	Set Screw	2
		14 / 4	P-9004 / P-9003	Shaft / Eccentric	1
		15	P-7005	Coupling	1
*	•	16	P-7006	Spider	1
		17	(Voltage)-J	Motor (Requires P-7004-D Base)	1
		18	P-7004-D	Base for J Motor	1
		19	1428X12HS	Screw	4
		20	P-9022-B	Mount Foot Set (4)	1
		21	1428X34HB	Bolts	2
		22	14ETS	Lock Washer	2
		25-31	P-6001-B (Voltage)	J Motor Control Assembly (After S/N 0188)	1
		25	P-6003 (Voltage)	Solenoid	1
		27	P-6002 (Voltage)	Circuit Board & Probe	1
		29	1420X1HB	Screw	2
		30	51618HB	Hex Nut	2
		31	J End Cap	Motor End Cap Only	1
		32	P-6010	Large Solenoid Boot	2
		33	P-6001	Small Solenoid Boot	2
			P-9021-A	Check Valve	1
	•	Not Shown	WSA-751	Strainer Screen	1
	•		WSA-1001	Strainer Screen (After S/N 0192)	1
	•		WSA-752	Strainer Gasket	1
	•		WSA-1002	Strainer Gasket (After S/N 0192)	1
		69-A		Non-UL Listed Pressure Switch (Before S/N 1089)	1
		1PS-50		UL Listed With Bronze Plumbing	1
		1PS-51		UL Listed Without Bronze Plumbing	1

- CONTENTS
- ENGINE COOLING
- INDEX
- HOME
- NEXT
- BACK

## PARAGON JR (PJR)



R	M	Item	Part No.	Part Name	Qty.	
		Items 1-14 same as above including items included in regular & master kits.				
	•	15	P-8002	Pump Pulley	1	
		17	P-8004-A	Base	1	
		18	(Voltage)-F	Motor	1	
	•	19	P-8001	Motor Pulley	1	
		20	1032X12HS	Screw	1	
		21	P-9022-A	Mount Foot Set (3)	1	
		22	(Voltage)-ETM	Dry-Tank Shutdown (ETM-D on no-flo version)	1	
		23	1428X12HS	Screw	4	
	•	25	P-8003	Belt	1	
		69-A		Pressure Switch (Before S/N 1089)	1	
		IPS-40		Pressure Switch (After S/N 0193)	1	
		69-D		Switch Block Only (After S/N 1089-0193)	1	
		Not Shown	P-9021-A	Check Valve (Before S/N 0189)	1	
	•		WSA-751	Strainer Screen	1	
	•		WSA-752	Strainer Gasket	1	

- Included in PJR Master Kit
  - \* Included in PJR Regular Kit
- Items 1-14 - P-9000 Pump Assembly