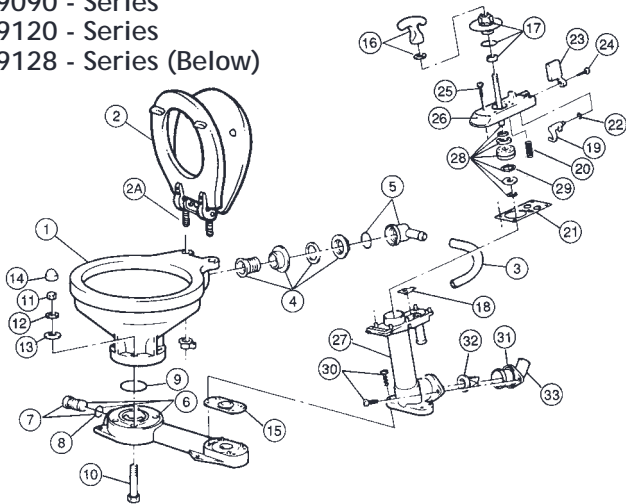


# JABSCO TOILETS

29090 - Series  
29120 - Series  
59128 - Series (Below)



## REPAIR KITS AVAILABLE

| Kit | Part No.   | Description                   |
|-----|------------|-------------------------------|
| A   | 29045-2000 | Major Service Kit, Pump       |
| B   | 29040-2000 | Pump Assembly                 |
| C   | 29094-2000 | Valve Cover & Handle Assembly |
| D   | 29051-2000 | Pump Cylinder Assembly        |
| E   | 29047-0000 | Bowl Installation Kit         |

## 59128 - Series (Brydon Boy) Service Parts

59127-7017 = Piston Rod Seal and Piston O-Ring.

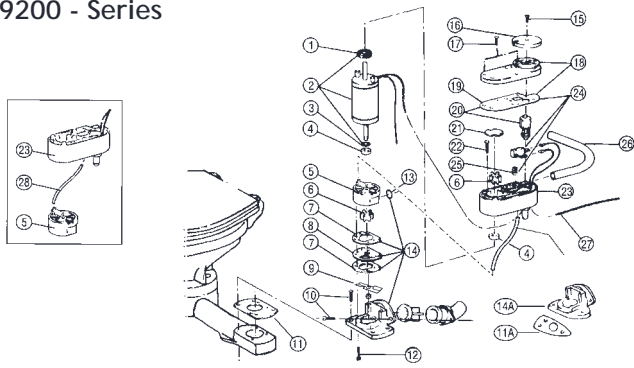
No other parts available.

\* For Toilet Models 29090-0000 and 29120-0000 (produced prior to 2-98) order Seal/Rod Guide Assembly Number 29044-0000 and Major Service Kit number 29045-0000.

| PARTS LIST |                                | Qty. Per Toilet | Part No.      | Qty. Per Repair Kit |   |   |   |   |
|------------|--------------------------------|-----------------|---------------|---------------------|---|---|---|---|
| Key        | Description                    |                 |               | A                   | B | C | D | E |
| 1          | Bowl                           | 1               | 59127-7002    |                     |   |   |   |   |
|            | Compact                        | 1               | 18753-0060    |                     |   |   |   |   |
| 2          | -Wood Seat, Lid & Hinge Set    | 1               | 18753-0437    |                     |   |   |   |   |
|            | Large                          | 1               | 18753-0438    |                     |   |   |   |   |
|            | -Plastic Seat, Lid & Hinge Set | 1               | 29097-1000    |                     |   |   |   |   |
|            | Large                          | 1               | 29127-1000    |                     |   |   |   |   |
| 2a         | Hinge Kit                      | 1               | JE 29098-1000 |                     |   |   |   |   |
| 3          | Hose                           | 1               | 29035-0000    |                     |   |   |   |   |
|            | Large                          | 1               | 29035-0001    |                     |   |   |   |   |
| 4          | Bowl Spud                      | 1               | 29048-0000    |                     |   |   |   |   |
| 5          | Intake Elbow & O-ring          | 1               |               |                     |   |   |   |   |
| 6          | Base Plug & O-ring Assy        | 1               | 29041-1000    |                     |   |   |   |   |
| 7          | Plug & O-ring Assy             | 1               | 29028-1000    |                     |   |   |   |   |
| 8          | O-ring (Plug)                  | 1               |               |                     |   | 1 |   |   |
| 9          | O-ring (Bowl)                  | 1               | 44101-1000    |                     |   |   |   | 1 |
| 10         | Bolt                           | 4               |               |                     |   |   |   | 4 |
| 11         | Nut                            | 4               |               |                     |   |   |   | 4 |
| 12         | Washer                         | 4               |               |                     |   |   |   | 4 |
| 13         | Washer (Nylon)                 | 4               |               |                     |   |   |   | 4 |
| 14         | Cap                            | 4               |               |                     |   |   |   | 4 |
| 15         | Base Valve Gasket              | 1               | 29043-0000    | 1                   | 1 |   |   |   |
| 16         | Handle                         |                 | 29026-2000    |                     | 1 |   |   |   |
|            | With Bumper Washer             |                 |               |                     | 1 |   |   |   |
| 17         | Seal Assembly *                | 1               | 29044-2000    | 1                   | 1 | 1 |   |   |
| 18         | Top Valve Seat                 | 1               |               | 1                   | 1 | 1 |   |   |
| 19         | Cam                            | 1               |               |                     | 1 | 1 |   |   |
| 20         | Flap Valve Seating Spring      | 1               |               |                     | 1 | 1 |   |   |
| 21         | Top Valve Gasket               | 1               | 29042-0000    | 1                   | 1 |   |   |   |
| 22         | O-ring (Flush Lever)           | 1               |               |                     | 1 | 1 |   |   |
| 23         | Flush Control Lever            | 1               |               |                     | 1 | 1 |   |   |
| 24         | Screw (Flush Lever)            | 1               |               |                     | 1 | 1 | 1 |   |
| 25         | Screw (Valve Control)          | 6               |               |                     | 1 | 6 | 6 |   |
| 26         | Valve Cover                    | 1               |               |                     | 1 | 1 | 1 |   |
| 27         | Pump Cylinder                  | 1               |               |                     | 1 | 1 | 1 |   |
| 28         | Piston, Rod & O-ring Assy      | 1               | 29046-0000    |                     | 1 |   |   |   |
| 29         | O-ring (Piston)                | 1               | 29017-1000    | 1                   |   |   |   |   |
| 30         | Screw (Pump Cylinder)          | 6               |               | 1                   | 2 | 2 |   |   |
| 31         | Discharge Flange               | 1               | 29091-0000    |                     | 1 | 1 |   |   |
| 32         | Joker Valve                    | 1               | 29092-0000    | 1                   | 1 | 1 |   |   |
| 33         | Discharge Elbow                | 1               | 29029-0000    | 1                   | 1 | 1 |   |   |

- CONTENTS
- ENGINE COOLING
- INDEX
- HOME
- NEXT
- BACK

## 29200 - Series



## REPAIR KITS AVAILABLE

| Kit | Part No.   | Description                       |
|-----|------------|-----------------------------------|
| A   | 29101-0000 | Service Kit                       |
| B   | 29109-0000 | Hardware Kit                      |
| C   | 29116-1000 | Waste & Flush Pump Housing Assys. |

## MOUNTING ADAPTOR KITS

| Toilet Model   | Adaptor Kit   |
|--|---------------|
| PAR 59128 Series, Brydon Boy, RM 69, Sealand (Mansfield) 751 (3 Hole)    | JA 29060-0000 |
| GROCO HE, GROCO HF *3 Hole Equilateral Triangle)                         | JA 29080-0000 |
| Raritan Compact, Raritan PH & PH II, Sealand 752 (4 Hole Square Pattern) | JA 29110-0000 |
| Wilcox Crittenden Head Mate 1460 C, Wilcox Crittenden Winner R4042C*     | JA 29128-0000 |

\*Requires minor repositioning of discharge hose. (4 Hole Square Pattern)

| PARTS LIST |                             | Qty. Per Toilet | Part No.   | Qty. Per Repair Kit |   |   |
|------------|-----------------------------|-----------------|------------|---------------------|---|---|
| Key        | Description                 |                 |            | A                   | B | C |
| 1          | Slinger (Large)             | 1               |            |                     |   |   |
| 2          | Motor Assembly 12v          | 1               | 29108-0120 |                     |   |   |
|            | 24v                         | 1               | 29108-0240 |                     |   |   |
| 3          | Slinger (Small)             | 1               |            | 1                   |   |   |
| 4          | Seal                        | 2               | 18753-0384 | 2                   | 2 |   |
| 5          | Waste Pump Body             | 1               |            |                     | 1 |   |
| 6          | Impeller                    | 2               | 6303-0003  | 2                   |   |   |
| 7          | Gasket (Paper)              | 2               | 18753-0167 | 2                   | 2 |   |
| 8          | Wearplate (Stainless Steel) | 1               | 18753-0168 |                     | 1 |   |
| 9          | Chopper + Lock Nut          | 1               | 29102-1000 |                     |   |   |
| 10         | Mounting Screw              | -               |            | 1                   | 1 |   |
| 11         | Base Gasket (Rubber)        | 1               | 29072-1000 |                     |   |   |
| 11A        | Base Gasket (59128-series)  | 1               | 18753-0173 |                     |   |   |
| 12         | Screw (Waste Pump)          | 4               |            |                     | 4 |   |
| 13         | O-ring                      | 1               | 18753-0169 | 1                   | 1 |   |
| 14         | Macerator Housing           | 1               | 29071-1000 |                     |   |   |
| 14A        | Mac. Housing (59128-series) | 1               | 18753-0172 |                     |   |   |
| 15         | Screw (Control Knob)        | 1               |            | 1                   | 1 |   |
| 16         | Control Knob                | 1               | 29077-1000 |                     |   |   |
| 17         | Screw (Flush Pump Cover)    | 7               |            | 1                   | 7 |   |
| 18         | Flush Pump Cover Assy       | 1               | 29081-1000 |                     |   |   |
| 19         | Flush Pump Gasket (Cork)    | 1               | 29075-1000 | 1                   | 1 |   |
| 20         | Control Valve Assy          | 1               | 29083-1000 |                     |   |   |
| 21         | Wearplate (Brass)           | 1               | 18753-0170 |                     | 1 |   |
| 22         | Screw (Flush Pump)          | 2               |            | 1                   | 2 |   |
| 23         | Flush Pump Housing          | 1               |            |                     | 1 |   |
| 24         | Switch Assy.                | 1               | 29103-1000 | 1                   |   |   |
| 25         | Switch Spring               | 1               | 18753-0171 |                     | 1 |   |
| 26         | Hose (All Toilets)          | 1               | 29035-1000 |                     |   |   |
| 27         | Cable Assy.                 | 1               |            |                     |   |   |
| 28         | Bleed Tube                  | 1               | 29019-1010 | 1                   | 1 |   |