

PAR REPLACEMENT PARTS

CONTENTS 37202-2000
New version with shroud over connecting rod.

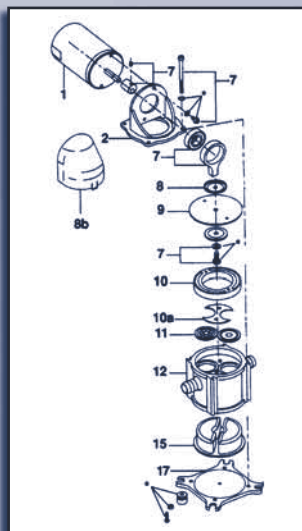
ENGINE COOLING

INDEX

HOME

NEXT

BACK



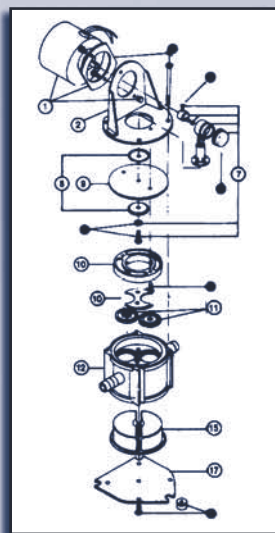
Description	Key	Part Number	Qty
Motor Kit 12 vdc	1	50096-1012	1
Motor Kit 24 vdc		50096-1024	
Motor Kit 32 vdc			
Motor Mount	2	50092-1000	1
Connecting Rod Assembly	7	50097-1000	1
Diaphragm Plate	8	35688-0000	2
Cover	8b	50093-1000	
Diaphragm	9	37174-0000	1
Retainer	10	35788-0000 Retainer	1
	10a	35816-0000 Plate	1
Valve Set (Inlet & Outlet)	11	30005-0000	1 Set
Base Assembly	12	50098-1000	1
Pulsation Dampener	15	37179-0000	1
Bottom Plate	17	50094-1000	1
Service Kit*		50095-1000	1

* Indicates parts contained in service kit.

37202 Series
(was 7202)

37205 Series
(was 7205)

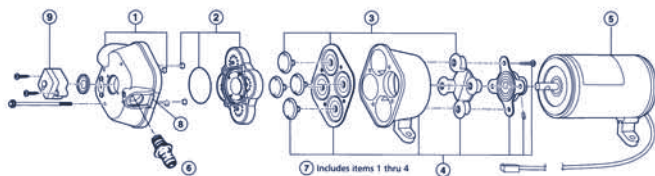
37215 Series
(was 7215)



Description	Key	Parts for 37202	Parts for 37205 / 215	Qty
Motor Kit 12 vdc	1	30201-0000 - See Note 1	30202-0000	1
Motor Kit 24 vdc		30200-0010	30202-0010	
Motor Mount	2	35797-0000	35812-0000	1
Connecting Rod Assembly	7	30040-0000*	30033-0000*	1
Diaphragm Plates	8	35688-0000 - See Note 2	35479-0000	2
Diaphragm	9	37174-0000*	37174-0000*	1
Retainer	10	35788-0000 - Retainer	35799-0000	1
Valve Set (Inlet & Outlet)	11	30005-0000*	30130-0000*	1 Set
Base Assembly	12	35795-0000	35787-1000 35790-0000 - for 37205-0000	1
Pressure Switch	13	N/A	37121-0010	1
Pulsation Dampener	17	37179-0000*	37179-0000*	1
Bottom Plate	19	35798-0000	35798-0000	1
Hardware Kit	21	37168-0000	37168-0000	1 Set
Service Kit		37182-0000*	30127-0000*	1

* Indicates parts contained in service kit.

4000 SERIES FLOJET PARTS



Part Number	Description #6 of Diagram
20381-000	Quad Port x 1/2" M Cest, Straight
20381-002	Quad Port x 1/2" HB, Straight
20381-006	Quad Port x 3/4" HB, Straight
20381-007	Quad Port x GH Adaptor
20381-008	Quad Port x 1/2" M Cest, 90° Elbow
20381-009	Quad Port x 1/2" HB, 90° Elbow
20381-010	Quad Port x 3/4" HB, 90° Elbow
20381-024	Quad Port x 3/8" HB, 90° Elbow
20381-026	Quad Port x 3/8" HB, 90° Straight

KEY MODEL	*SERVICE KIT	1 UPPER HSG	2 VALVE ASSY	3 DIAPHRAGM	4 LOWER HSG	7 PUMP HEAD	8 SLIDE CLIPS	9 PRESSURE SWITCH
4105-114, 4105-314, 4105-414	20409-054	20404-005	20407-010	20403-050	20419-003	20406-005A	20408-000	—
4105-143, 4105-343	20409-043	20404-004	20407-030	20403-040	20419-001	20406-004A	20408-000	—
4105-501	20409-054	20404-005	20407-010	20403-050	20419-005	20406-013A	20408-000	—
4105-502	20409-054	20404-005	20407-010	20403-050	20419-003	20406-013A	20408-000	—
4105-503	20409-043	20404-004	20407-010	20403-050	20419-005	20406-013A	20408-000	—
4105-512	20409-043	20404-004	20407-030	20403-050	20419-001	20406-004A	20405-000	—
4105-524	20409-043	20404-004	20407-030	20403-040	20419-001	20406-004A	20408-000	—
4305-143	20409-043	20404-003	20407-030	20403-040	20419-002	20406-002A	20408-000	2090-118
4305-144, 4305-343, 4305-443	20409-043	20404-003	20407-030	20403-040	20419-011	20406-011A	20408-000	2090-118
4305-500, 4305-501	20409-043	20404-008	20407-030	20403-040	20419-001	20406-007A	20408-000	2090-104
4305-502, 4305-503	20409-043	20404-012	20407-030	20403-040	20419-000	20406-012A	20408-000	2090-108
4405-143, 4405-343, 4405-443	20409-043	20404-002	20407-030	20403-040	20419-001	20406-003A	20408-000	2090-104
4125-114, 4125-314, 4125-414	20409-054	20404-005	20407-010	20403-050	20419-003	20406-005A	20408-000	—
4125-502, 4125-504	20409-054	20404-005	20407-010	20403-050	20419-003	20406-005A	20408-000	2090-118
4325-143, 4325-343, 4325-443	20409-043	20404-003	20407-030	20403-040	20419-002	20406-002A	20408-000	2090-118
4325-504, R4515-743, R4525-743	20409-043	20404-003	20407-030	20403-040	20419-004	20406-015A	20408-000	2090-118

* Service kit includes valves, diaphragm and cam bearing assembly.