

DETROIT DIESEL ENGINE PUMPS

CONTENTS

ENGINE COOLING

INDEX

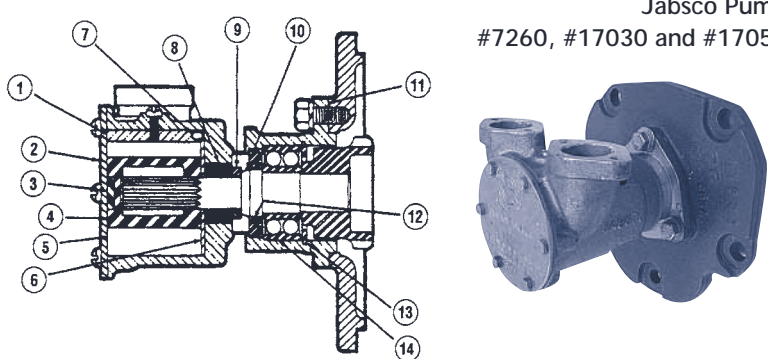
HOME

NEXT

BACK

6 COVER SCREWS / SPLINE DRIVE (353, 453, 471)

Key	Jabsco #	Detroit Diesel #	Qty	Description
1	CAM OPTIONS 934-0000 7867-0000	8297519 5196696	1 1	Cam (without pin) Cam (with pin)
2	11831-0000	5199331/8927516	1	Cover
3	91003-0010	8927518	6	Cover Screw
4	920-0001	5196629/5193602	1	Impeller
5	890-0000	8927517	1	Gasket
6	4156-0000	5195753	1	Wearplate
7	CAM SCREW 91004-0090 91003-0020	8927520 -	1 1	Screw for 934-0000 Screw for 7867-0000
8	SEAL OPTIONS 96080-0080 92700-0060 92700-0070	8927526/5199150 5194216 5193599	1 1 1	Mechanical Seal Lip Seal (1-1/8" Dia.) Lip Seal (1-3/8" Dia.)
9	3180-0000	5193675	1	Slinger
10	DD 5196515	5196515	1	Shaft
11	DD 5196513	5196513	1	Flange Gasket
12	913-0000	5195019	1	Bearing Seal
13	18724-0000	8927523/5193391	1	Retaining Ring
14	92600-0060 DD 5122648	8927522 5122648	1 2	Ball Bearing Port Gaskets

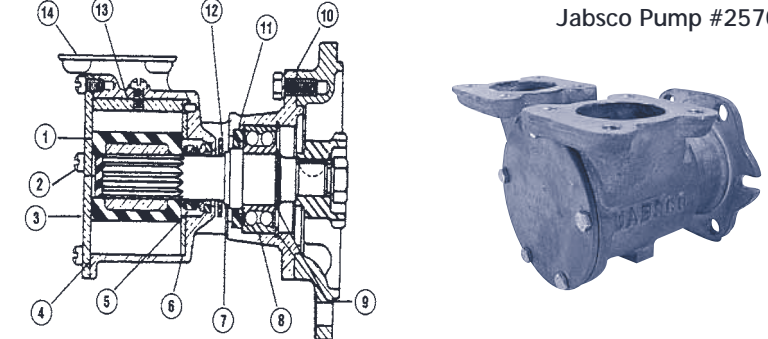


Jabsco Pump #7260, #17030 and #17050

Detroit Diesel Pump #5145578 (17050), #5145577 (7260), #5145576 (17030)
DD 353-453-471 Replacement Pump
DD 5199850 Major Kit (for 5145578)

5 COVER SCREWS / 2 1/2" IMPELLER DEPTH (653, 671, 853)

Key	Jabsco #	Detroit Diesel #	Qty	Description
1	17935-0001	5193553/8924838	1	Impeller
2	91005-0040	23504236	5	Cover Screw
3	12062-0000	5193555	1	Cover
4	816-0000	5193562	1	Gasket
5	6408-0000	5198419	1	Mechanical Seal
6	2574-0000	5193556	1	Wearplate
7	DD 5193552	5193552	1	Shaft
8	92600-0040	954799	1	Ball Bearing
9	18711-0000 18712-0000	5193569 9415285	1 1	Small Snap Ring Large Snap Ring
10	DD 23501662	23501662	1	Mounting Gasket
11	817-0000	5195101	1	Bearing Seal
12	3181-0000	5193676	1	Slinger
13	834-0001 91005-0040	5193554 23504236	1 1	Cam Cam Screw
14	DD 5115395	5115395	2	Port Gaskets

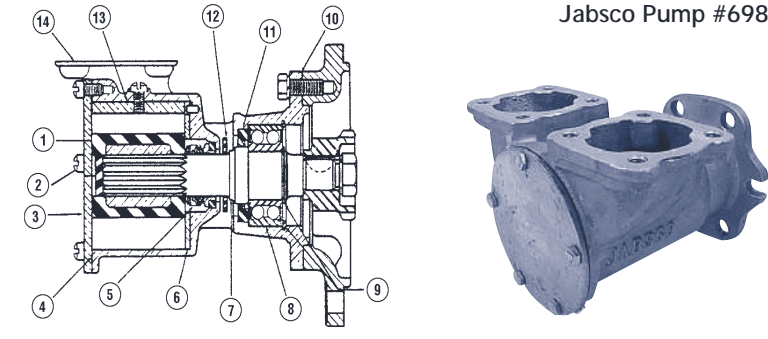


Jabsco Pump #2570

Detroit Diesel Pump #23507971, #5186250, #5107480, #23501083, #2313002, #5137208, #5115396
DD 653-671 Pump (complete pump with drive gear)
DD 653-671 Kit (complete rebuild kit with shaft = Detroit Diesel #5197224)

5 COVER SCREW / 3 1/2" IMPELLER DEPTH (671TI, 871, 1271)

Key	Jabsco #	Detroit Diesel #	Qty	Description
1	17936-0001	5196168/8924839	1	Impeller
2	91005-0040	23504236	5	Cover Screw
3	12062-0000	5193555	1	Cover
4	816-0000	5193562	1	Gasket
5	6408-0000	5198419	1	Mechanical Seal
6	2574-0000	5193556	1	Wearplate
7	DD 5196169	5196169	1	Shaft
8	519BRG		1	Ball Bearing
9	18718-0000	5196171	1	Snap Ring
	91402-0230	5197611	1	Key
10	DD 23501662	23501662	1	Mounting Gasket
11	817-0000	5195101	1	Bearing Seal
12	3181-0000	5193676	1	Slinger
13	6988-0000	5196167	1	Cam
	91005-0040	23504236	1	Cam Screw
14	DD 5115395 DD 5112143	5115395 5112143	2 2	Square Port Gasket Round Port Gasket



Jabsco Pump #6980

Detroit Diesel Pump #23507972, #5122599, #5106016, #8924265, #23501769
DD 671TI-871-1271 Pump (complete pump with drive gear)
DD 671TI-871-1271SS Kit (complete rebuild kit with shaft = Detroit Diesel #5197222)
DD 5196846 (Minor Kit)