

DETROIT DIESEL ENGINE PUMPS

DETROIT DIESEL MADE EASY

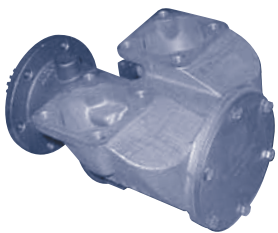
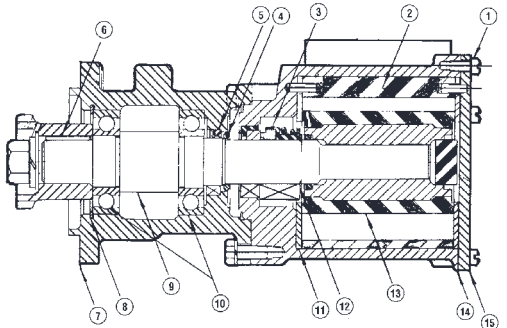
Over the years Detroit Diesel has used many different Jabsco Engine cooling pumps. Each has its particular mounting characteristics and specific model number. Many believe it takes a serial number to identify the particular pump your engine requires. However, all of the possible pump combinations take standard Jabsco service parts and can be easily identified by three simple observations:

- 1) The number of cover screws
- 2) The impeller depth – 2 1/2" / 3 1/2" (if there are 5 cover screws)
- 3) The impeller drive – Splined / Double flat (if there are 6 cover screws)

Following are the five possible configurations showing the Jabsco and Detroit Diesel part numbers. It is that easy! If you would like additional assistance please call. Emergency repair service is also available. Simply call our service department at 1-800-446-1656.

6 COVER SCREWS / DOUBLE FLAT DRIVE (8V92TA and 16V92TA)

Jabsco Pump
#17360
and #18760

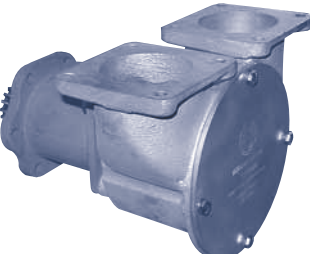
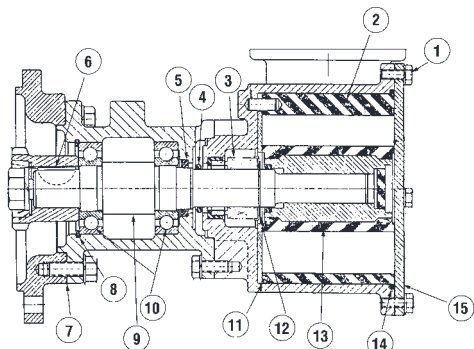



Detroit Diesel Pump #8923363, #23507475, #23507476, #23507477, #23507973
Major Kit #8927566
DD 8V92TA-16V92TA (complete pump – shifted ports)

Key	Jabsco #	Detroit Diesel #	Qty	Description
1	91005-0040	23501649	6	Cover Screw
2	17374-1000	8927571	1	Cam Ring
3	96080-0371	8927573	1	Mechanical Seal
4	18754-1004	23501652	1	O-Ring
5	92701-0180	—	1	Bearing Seal
6	91402-0230	23501664	1	Key
7	DD 23501662	23501662	1	Mounting Gasket
8	18725-0000	23501656	1	Snap Ring
9	17366-1000	8927572	1	Shaft
10	18752-0000	8927574	2	Ball Bearing
11	17372-1000	8927568	2	Wearplate
12	18721-0000	23501653	1	Seal Snap Ring
13	17370-0001	8927570	1	Impeller
14	17365-1000	23501648	1	Gasket
15	17378-1000	8927569	1	Cover
	91112-8020	23501650	1	Pin (Wearplate)

4 COVER SCREWS (12V71TI and 12V92TA)

Jabsco Pump
#18780 and #18790

Detroit Diesel Pump #8927296
Major Kit #23502097

Key	Jabsco #	Detroit Diesel #	Qty	Description
1	91005-0040	—	4	Cover Screw
2	18785-0000	23502089	1	Cam Ring
3	96080-0371	8927573	1	Mechanical Seal
4	18754-1004	—	1	O-Ring
5	92701-0180	23502092	1	Bearing Seal
6	91402-0230	23506164	1	Key
7	DD 23501662	23501662	1	Mounting Gasket
8	18725-0000	23501656	1	Snap Ring
9	17366-1000	8927572	1	Shaft
10	18752-0000	8927574	2	Ball Bearing
11	18787-0000	23502091	1	Wearplate
12	18721-0000	—	1	Seal Snap Ring
13	18786-0001	23502086	1	Impeller
14	18785-ORING	—	1	O-Ring
15	18784-2000	23502090	1	Cover

- CONTENTS
- ENGINE COOLING
- INDEX
- HOME
- NEXT
- BACK