

# GENERAL PURPOSE ENGINE COOLING

CONTENTS

ENGINE COOLING

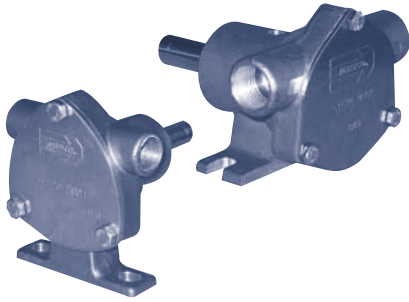
INDEX

HOME

NEXT

BACK

## JABSCO



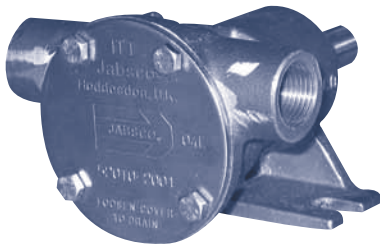
51510 / 51520

### 3/8" - 1/2" PORTS, UP TO 10 GPM, MECHANICAL SEAL DESIGN

Jabasco's new 51510 and 51520 series incorporates the cam offset into the pump housing providing longer impeller and pump housing life. Both models are designed to take the side load of being belt driven and utilize two ball bearings, mechanical seal and cover o-ring (instead of paper gasket). The 51510 interchanges with Johnson model #10-35038 (F35B-8 series). The 51520 interchanges with Johnson model #10-24074 (F4B-8 series).

Model Number	Port Size	Shaft Size	Impeller	GPM at RPM at 20 TDH				Dimensions (H x W x L)
				500	1000	2000	3000	
JA 51510-9001	3/8" FPT	12mm	22405-0001	.5	1.5	3.5	5.25	2 3/8" x 3" x 3 5/8"
JA 51520-9001	1/2" FPT	12mm	18653-0001	.7	2.6	5.7	8.72	3 1/2" x 3" x 3 3/4"

## JABSCO



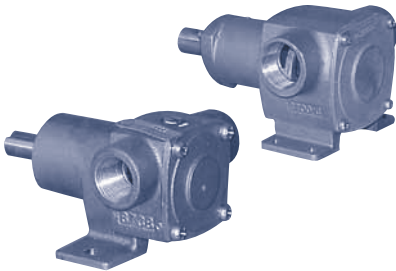
52010 / 52020

### 3/8" - 1/2" PORTS, UP TO 10 GPM, LIP SEAL DESIGN

Jabasco's 52010 and 52020 series have a proven track record of 1000's of successful installations. Both models are designed to take the side load of being belt driven and utilize two ball bearings, lip seal and replaceable cam.

Model Number	Port Size	Shaft Size	Impeller	GPM at RPM at 20 TDH				Dimensions (H x W x L)
				500	1000	2000	3000	
JA 52010-2001	3/8" FPT	12mm	22405-0001	.5	1.5	3.5	5.25	2 3/8" x 3 5/32" x 4"
JA 52020-2001	1/2" FPT	12mm	18653-0001	.7	2.6	5.7	8.72	3 1/2" x 3 5/32" x 4"

## OBERDORFER



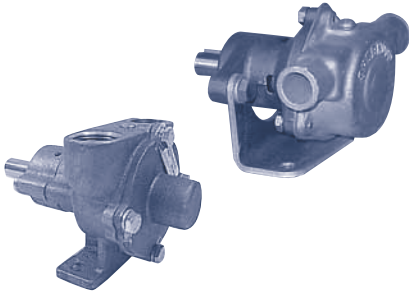
M Series

### 1/2" - 1 1/4" PORTS, UP TO 58 GPM, DOUBLE BEARING DESIGN

Oberdorfer bronze pedestal pumps utilize mechanical seals and a unique spaced double ball bearing design that prolongs pump life by more efficiently distributing belt load. The N200M pump is designed specifically to be dimensionally interchangeable with Johnson's 10-35038 and Jabasco's 51510 series.

Model Number	Port Size	Shaft Size	Impeller	GPM at RPM at 20 TDH				Dimensions (H x W x L)
				800	1750	3000	3450	
OB N200M	3/8" FPT	12 mm	OB 2379	1.2	2.9	5.4	-	2.48" x 3.15" x 3.70"
OB 201M	1/2" FPT	1/2"	OB 6593	1.8	4.8	8.4	9.6	2.88" x 3.75" x 5.16"
OB N301M	3/4" FPT	5/8"	OB 6620	4.2	10.5	17.8	19.5	3.19" x 4.13" x 5.81"
OB 401M-02	1" FPT	5/8"	OB 7441	11.0	24.0	34.5	-	3.31" x 4.75" x 6.75"
OB 501M-05	1 1/4" FPT	1"	OB 7054	26.0	55.0	-	-	4.56" x 6.0" x 8.53"

## SHERWOOD



R and G Series

### 1/2" - 1" PORTS, UP TO 32 GPM, 2 BEARING DESIGNS

The Sherwood "R" series distributes the belt load between a single ball bearing near the drive end of the shaft and a carbon bushing in the cover. The Sherwood "G" series utilizes a double ball-bearing design and a convertible mounting base that allows vertical or horizontal mounting. The "G" series also offers in-line or vertical ports for 1" or 1 1/4" hose.

Model Number	Pump Series	Port Size	Shaft Size	Port Config.	Impeller Kit	GPM at RPM at 10 PSI			Dimensions (H x W x L)
						1000	2000	3000	
SH R30G	R	1/2" FPT	1/2"	Vertical	10077K	3.8	6.5	8.0	2.85" x 3.5" x 5.28"
SH R50G	R	3/4" FPT	5/8"	Vertical	9959K	6.8	12.0	19.5	3.75" x 4" x 5.28"
SH R-102	R	1" FPT	5/8"	Vertical	10615K	10.9	19.5	32.0	4.25" x 5.5" x 6.66"
SH G-1	G	1" Hose	5/8"	In-line	9959K	6.8	12.0	19.5	4 1/4" x 5 1/4" x 5 1/4"
SH G-2	G	1" Hose	5/8"	Vertical	9959K	6.8	12.0	19.5	4 3/8" x 5 1/4" x 5 1/4"
SH G-3	G	1 1/4" Hose	5/8"	In-line	10615K	10.9	19.5	32.0	4 7/8" x 5 1/4" x 5 5/8"
SH G-4	G	1 1/4" Hose	5/8"	Vertical	10615K	10.9	19.5	32.0	4 15/16" x 5 1/4" x 5 5/8"