

DETROIT DIESEL ENGINE PUMPS

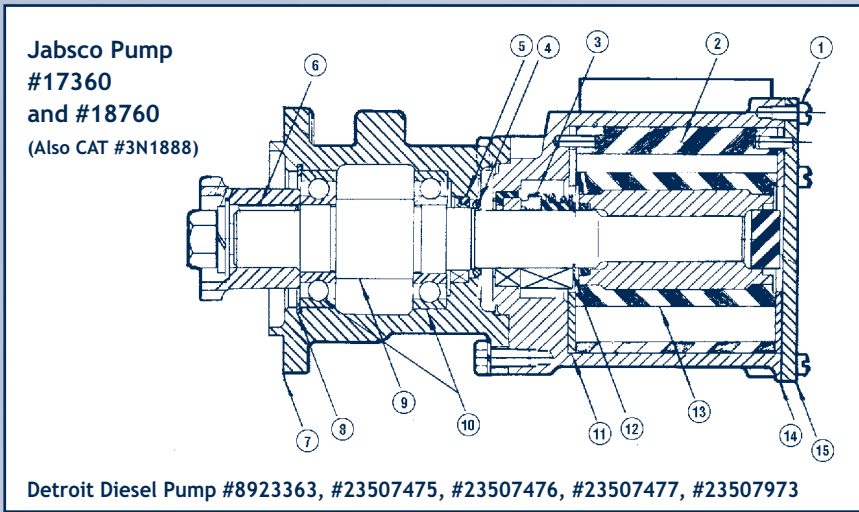
DETROIT DIESEL MADE EASY

Over the years Detroit Diesel has used many different Jabsco Engine cooling pumps. Each has its particular mounting characteristics and specific model number. Many believe it takes a serial number to identify the particular pump your engine requires. However, all of the possible pump combinations take standard Jabsco service parts and can be easily identified by three simple observations:

- 1) The number of cover screws
- 2) The impeller depth – 2 1/2" / 3 1/2" (if there are 5 cover screws)
- 3) The impeller drive – Splined / Double flat (if there are 6 cover screws)

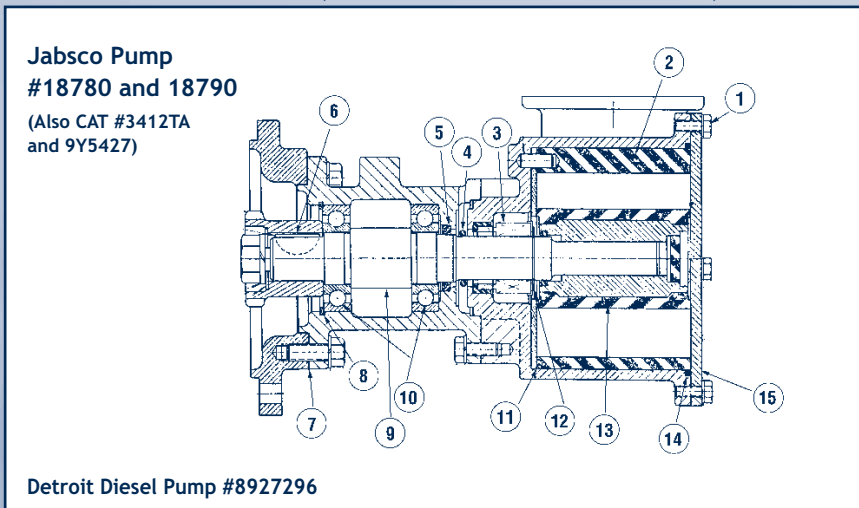
Following are the five possible configurations showing the Jabsco and Detroit Diesel part numbers. It is that easy! If you would like additional assistance please call. Emergency repair service is also available. Simply call our service department at 1-800-446-1656.

6 COVER SCREWS / DOUBLE FLAT DRIVE (8V92TA and 16V92TA)



| Key | Jabsco # | Detroit Diesel # | Qty | Description |
|-----|-------------|------------------|-----|-----------------|
| 1 | 91005-0040 | 23501649 | 6 | Cover Screw |
| 2 | 17374-1000 | 8927571 | 1 | Cam Ring |
| 3 | 96080-0371 | 8927573 | 1 | Mechanical Seal |
| 4 | 18754-1004 | 23501652 | 1 | O-Ring |
| 5 | 92701-0180 | — | 1 | Bearing Seal |
| 6 | 91402-0230 | 23501664 | 1 | Key |
| 7 | DD 23501662 | 23501662 | 1 | Mounting Gasket |
| 8 | 18725-0000 | 23501656 | 1 | Snap Ring |
| 9 | 17366-1000 | 8927572 | 1 | Shaft |
| 10 | 18752-0000 | 8927574 | 2 | Ball Bearing |
| 11 | 17372-1000 | 8927568 | 2 | Wearplate |
| 12 | 18721-0000 | 23501653 | 1 | Seal Snap Ring |
| 13 | 17370-0001 | 8927570 | 1 | Impeller |
| 14 | 17365-1000 | 23501648 | 1 | Gasket |
| 15 | 17378-1000 | 8927569 | 1 | Cover |
| | 91112-8020 | 23501650 | 1 | Pin (Wearplate) |

4 COVER SCREWS (12V71TI and 12V92TA)



| Key | Jabsco # | Detroit Diesel # | Qty | Description |
|-----|-------------|------------------|-----|-----------------|
| 1 | 91005-0040 | — | 4 | Cover Screw |
| 2 | 18785-0000 | 23502089 | 1 | Cam Ring |
| 3 | 96080-0371 | 8927573 | 1 | Mechanical Seal |
| 4 | 18754-1004 | — | 1 | O-Ring |
| 5 | 92701-0180 | 23502092 | 1 | Bearing Seal |
| 6 | 91402-0230 | 23506164 | 1 | Key |
| 7 | DD 23501662 | 23501662 | 1 | Mounting Gasket |
| 8 | 18725-0000 | 23501656 | 1 | Snap Ring |
| 9 | 17366-1000 | 8927572 | 1 | Shaft |
| 10 | 18752-0000 | 8927574 | 2 | Ball Bearing |
| 11 | 18787-0000 | 23502091 | 1 | Wearplate |
| 12 | 18721-0000 | — | 1 | Seal Snap Ring |
| 13 | 18786-0001 | 23502086 | 1 | Impeller |
| 14 | 18785-ORING | — | 1 | O-Ring |
| 15 | 18784-2000 | 23502090 | 1 | Cover |

- CONTENTS
- PUMPING PRINCIPLES
- ENGINE COOLING
- ENGINEERING TABLES
- TROUBLE-SHOOTING GUIDE
- INDEX
- HOME
- NEXT
- BACK