

# GENERAL PURPOSE ENGINE COOLING

CONTENTS

PUMPING PRINCIPLES

ENGINE COOLING

ENGINEERING TABLES

TROUBLE-SHOOTING GUIDE

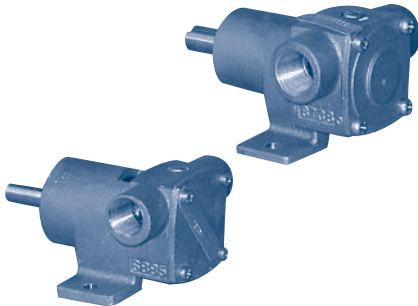
INDEX

HOME

NEXT

BACK

## OBERDORFER



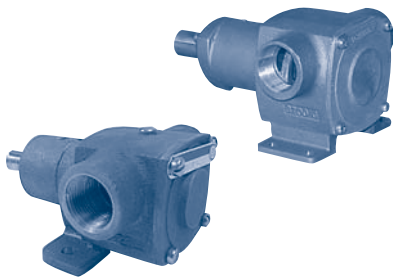
201M / 301M

### 1/2" - 3/4" PORTS, UP TO 20 GPM, DOUBLE BEARING DESIGN

Oberdorfer bronze pedestal pumps utilize mechanical seals and a unique spaced double ball bearing design that prolongs pump life by more efficiently distributing belt load. The 201M has 1/2" FPT ports, 1/2" stainless steel drive shaft and requires an envelope of 2.88" high x 3.75" wide x 5.16" long. The 301M comes with 3/4" FPT ports, 5/8" stainless steel drive shaft, and requires an envelope of 3.19" high x 4.13" wide x 5.81" long. See page 130 for service parts.

Discharge Head in Feet	Gallons Per Minute for 201M					Gallons Per Minute at RPM for 301M				
	800	1750	2500	3000	3450	800	1750	2500	3000	3450
0	2.6	6.0	8.7	10.3	11.3	5.3	12.0	16.0	19.0	20.5
20	1.8	4.8	6.9	8.4	9.6	4.2	10.5	14.5	17.8	19.5
40	.62	2.6	4.0	5.7	6.8	2.5	9.2	12.5	15.5	18.8
60	-	-	.2	1.3	2.6	-	6.7	9.3	12.7	17.5
80	-	-	-	-	-	-	3.0	6.0	9.3	12.5

## OBERDORFER



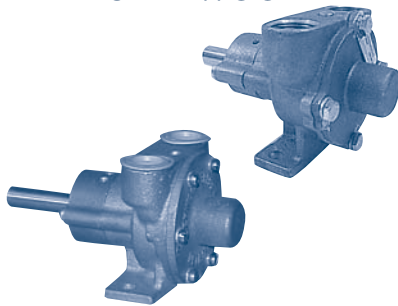
401M-2 / 501M-5

### 1" - 1 1/4" PORTS, UP TO 58 GPM, DOUBLE BEARING DESIGN

Oberdorfer bronze pedestal pumps utilize mechanical seals and a unique spaced double ball bearing design that prolongs pump life by more efficiently distributing belt load. The 1" series is available with inline (401M-2: 3.31" high x 4.75" wide x 6.75" long) or vertical ports (404M: 3.937" high x 4.625" wide x 6.625" long) and comes with a 5/8" stainless steel drive shaft. The 1 1/4" 501M pump requires an envelope of 4.56" high x 6.0" wide x 8.53" long and is equipped with a 1" stainless steel drive shaft. See page 130 for service parts.

Discharge Head in Feet	Gallons Per Minute at RPM for 401M-2				Gallons Per Minute at RPM for 501M-5		
	800	1750	2500	3000	800	1150	1750
0	10.0	25.0	32.5	36.0	28.0	38.0	58.0
20	11.0	24.0	30.5	34.5	26.0	36.0	55.0
40	9.7	22.2	27.0	31.0	22.0	30.0	49.0
60	7.5	19.1	24.0	27.5	16.0	25.0	41.0
80	2.0	15.0	17.5	21.0	10.0	13.0	32.0

## SHERWOOD



R30G / R50G / R-102

### 1/2" - 1" PORTS, UP TO 32 GPM, BUSHING/BEARING DESIGN

The Sherwood "R" series distributes the belt load between a single ball bearing near the drive end of the shaft and a carbon bushing in the cover. All three sizes utilize standard and widely available Sherwood impellers (R30G: SH 10077K impeller, R50G: 9959K impeller, R102: 10615K impeller). See page 128 for other service parts.

Model Number	Port Size	Shaft Size	GPM at RPM at 10 PSI				Dimensions (H x W x L)
			1000	2000	2500	3000	
SH R30G	1/2" FPT	1/2"	3.8	6.5	7.2	8.0	2.85" x 3.5" x 5.28"
SH R50G	3/4" FPT	5/8"	6.8	12.0	14.5	19.5	3.75" x 4" x 5.28"
SH R-102	1" FPT	5/8"	10.9	19.5	22.5	32.0	4.25" x 5.5" x 6.66"

## SHERWOOD



G-1 / 2 / 3 / 4

### 1" - 1 1/4" PORTS, UP TO 30 GPM, DOUBLE BEARING DESIGN

The Sherwood "G" series utilizes a convertible mounting base that allows vertical or horizontal mounting. The "G" series also offers in-line or vertical ports for 1" or 1 1/4" hose. Replacement impellers: G-1 and G-2 (9959K impeller) G-3 and G-4 (10615K impeller).

Model Number	Port Size	Port Configuration	GPM at RPM at 10 PSI				Dimensions (H x W x L)
			1000	2000	2500	3000	
SH G-1	1" Hose	In-line	6.8	12.0	14.5	19.5	4 1/4" x 5 1/4" x 5 1/4"
SH G-2	1" Hose	Vertical	6.8	12.0	14.5	19.5	4 3/8" x 5 1/4" x 5 1/4"
SH G-3	1 1/4" Hose	In-line	10.9	19.5	22.5	32.0	4 7/8" x 5 1/4" x 5 5/8"
SH G-4	1 1/4" Hose	Vertical	10.9	19.5	22.5	32.0	4 15/16" x 5 1/4" x 5 5/8"