

CONTENTS

PUMPING PRINCIPLES

ENGINE COOLING

ENGINEERING TABLES

TROUBLE-SHOOTING GUIDE

INDEX

HOME

NEXT

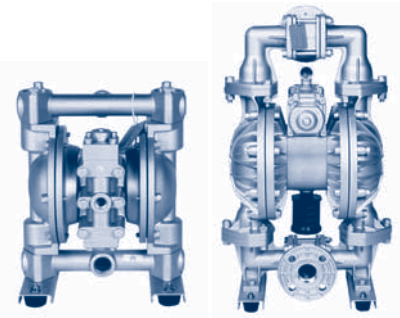
BACK

AIR OPERATED DIAPHRAGM PUMPS, 1/4" TO 3"

Yamada diaphragm pumps operate on compressed air and are available for a variety of applications including bilge, fuel transfer, oil change, chemicals, sewage, and many others. Pump housings are available in aluminum, cast iron, stainless steel, polypropylene, and Kynar. (CFM = cubic feet of air per minute).

Model Number	Port Size	Minimum CFM	Max GPM at Min CFM	Maximum CFM	Max GPM at Max CFM	Air Pressure and Discharge PSI Range
YA NDP-5	1/4"	2	1.8	6	3.1	20-100PSI
YA DP-10	3/8"	2	3.5	8	6.0	20-100PSI
YA NDP-15	1/2"	3	6	9	15	20-100PSI
YA NDP-20	3/4"	5	15	15	28	20-100PSI
YA NDP-25	1"	10	26	30	49	20-100PSI
YA NDP-40	1 1/2"	25	66	105	111	20-100PSI
YA NDP-50	2"	35	87	140	166	20-100PSI
YA NDP-80	3"	35	125	180	214	20-100PSI

YAMADA



CUSTOM CONFIGURED DIAPHRAGM PUMPS

- Pump liquids with solids
- Self-priming from dry starts
- Safe to run dry indefinitely
- Low emulsive non-shearing action
- Suction lifts up to 20 feet
- Variable flow capacities up to 130 GPM
- 3 size pumps:
 - Compact 0-20 GPM
 - Bone Dry 0-40 GPM
 - Heavy Duty 0-130 GPM
- Rugged quality construction
- Open flow-thru non-clogging design
- Built tough for years of service
- Designed simply for infield maintenance
- Long life reinforced diaphragms
- Permanent installation and portable models
- Pump systems for custom applications
- Made in the USA

Viton and Hypalon diaphragms available. Call our staff for assistance in selecting the proper pump for your application.

EDSON



HAND OPERATED TRANSFER / SUMP / BILGE PUMP

The 4790-97 diaphragm pump is designed for the transfer of fresh or salt water with sand, small stones and debris or other liquids that are compatible with the pump components listed below. Each unit comes equipped with an 18" brass handle and cast iron pumping platform. See page 35 for other manual bilge pumps.

- Up to 20 gpm
- 20 foot of suction
- Handles small solids
- Materials of construction: Neoprene diaphragm and valves, Bronze housing and Stainless hardware

Model Series	Port Size	Max GPM	Max Suction Lift	Included Accessories
AM 4790-97	1 1/2" FPT or 2" OD	20	20'	18" brass handle and cast iron platform

AMT



SUBMERSIBLE SEWAGE PUMPS

Goulds submersible sewage pumps are available in the economical 3872 series and the corrosion resistant stainless steel DM and DV series. The 3872 series is available in 115 vac or 230 vac and comes standard with thermoplastic casing, base and vortex impeller and cast iron motor housing for efficient heat transfer, strength and durability. The DM and DV stainless steel series are available in single or three phase voltages. The DM series utilizes an efficient two-vane, non-clog impeller while the DV series utilizes the popular vortex impeller design (only DM specs given below). Call for detailed information on the DV series.

Model Series	Port Size	Max Size Solids	Voltage AC	Hertz	HP	GPM at Feet of Head				Max Head
						5'	10'	15'	20'	
GOU 3872	2"	2"	115 or 230	60	1/2	75	62	27	-	17'
GOU 1DM51	1 1/2"	1 3/8"	1 & 3 Phase	60	1/2	78	52	58	42	34'
GOU 2DM51D	2"	2"	1 & 3 Phase	60	3/4	131	82	80	50	29'
GOU 2DM51E	2"	2"	1 & 3 Phase	60	1	156	156	130	104	40'
GOU 2DM51F	2"	2"	1 & 3 Phase	60	1 1/2	175	175	161	140	47'

GOULDS G & L

