

GROCO 4", 5" AND 6" STRAINERS

GROCO



SE with NPT Threaded Ports

GROCO



SEF with Flanged Ports

GROCO



ASEF with Flanged Ports and Bronze Enclosure

SE SERIES

Application:

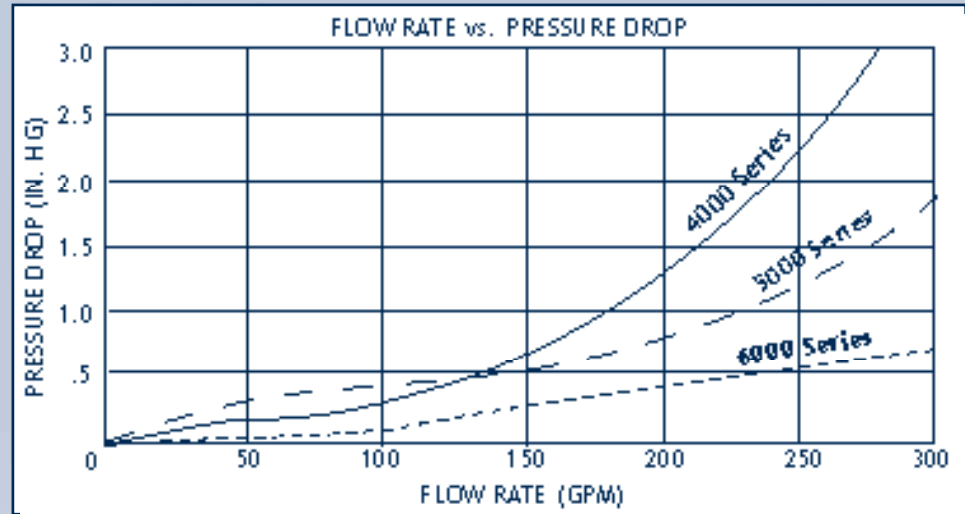
For high power engines with 4" or larger raw water intake which require high flow rates and low restriction.

Features:

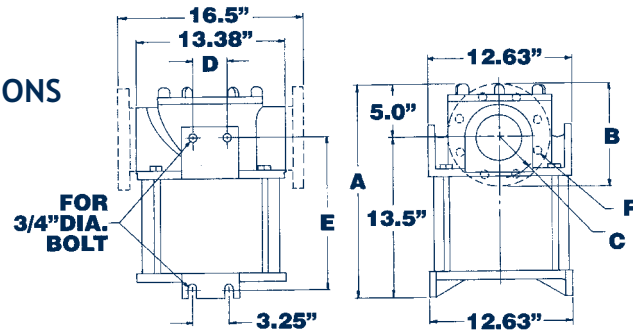
- No inside tie rod
- O-Ring seals
- Bronze castings
- Choice of Lucite sight glass or bronze sleeve
- Spin-off cover for easy filter basket access

Note:

- Dotted lines apply to SEF Models only.
- "A" for SE Models refers to the top of the cap.
- "A" for SEF Models refers to the top of the flange.
- "Ratio" means open screen area to pipe ratio with standard basket.
- Standard basket .007" diameter holes. (.125" and .188" holes are optional)



DIMENSIONS AND SPECIFICATIONS



| MODEL | PLUMBING | DRY WEIGHT (LBS.) | RATIO | (INCHES) | | | | | |
|-----------|-----------|-------------------|--------|----------|------|-----|------|-------|------------|
| | | | | A | B | C | D | E | F |
| SE-4000 | 4" NPT | 97 | 10:1 | 18.5 | - | - | 3.00 | 13.25 | - |
| ASE-4000 | 4" NPT | 121 | | 18.5 | - | - | 3.00 | 13.25 | - |
| SEF-4000 | 4" Flange | 118 | 10:1 | 18.5 | 9.00 | 7.5 | - | - | 5/8" bolts |
| ASEF-4000 | 4" Flange | 142 | | 18.5 | 9.00 | 7.5 | - | - | 5/8" bolts |
| SEF-5000 | 5" Flange | 134 | 8.05:1 | 19.0 | 10.0 | 8.5 | - | - | 3/4" bolts |
| ASEF-5000 | 5" Flange | 158 | | 19.0 | 10.0 | 8.5 | - | - | 3/4" bolts |
| SEF-6000 | 6" Flange | 147 | 6.7:1 | 19.5 | 11.0 | 9.5 | - | - | 3/4" bolts |
| ASEF-6000 | 6" Flange | 171 | | 19.5 | 11.0 | 9.5 | - | - | 3/4" bolts |

CONTENTS

PUMPING PRINCIPLES

ENGINE COOLING

ENGINEERING TABLES

TROUBLE-SHOOTING GUIDE

INDEX

HOME

NEXT

BACK