

BILGE AND IN-LINE STRAINERS

CONTENTS

PUMPING PRINCIPLES

ENGINE COOLING

ENGINEERING TABLES

TROUBLE-SHOOTING GUIDE

INDEX

HOME

NEXT

BACK

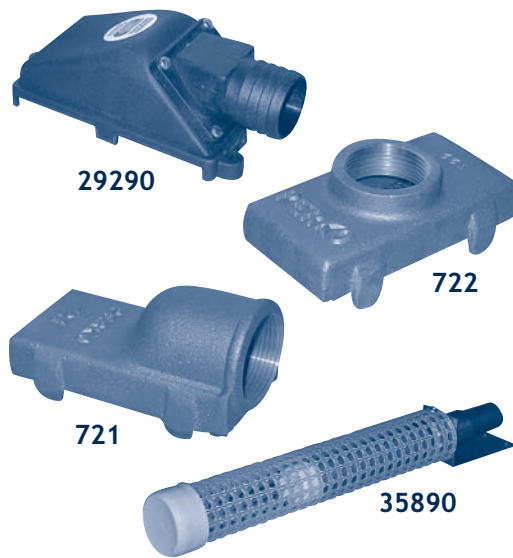
JABSCO AND PERKO BILGE STRAINERS

Bilge strainers protect self-priming bilge pumps from the potential of damaging debris being sucked up into the functioning interior of the pump. They come in a variety of configurations and sizes to meet your mounting requirements.

Hose/Pipe Size	Model Number	Brand	Construction	Length	Width
5/8" Barb	PK 709 DP PLB	Perko	Cast Bronze	3 5/8"	1 3/4"
3/4" Barb	JA 35890-0000	Jabsco	Brass/Plastic	13 1/2"	1 3/4"
1" Barb	JA 35890-0010	Jabsco	Brass/Plastic	13 1/2"	1 3/4"
1" Barb	JA 29290-0000	Jabsco	Plastic	6 3/4"	2 3/4"
1 1/4" FPT	PK 722 000 PLB	Perko	Cast Bronze	4 1/2"	2 3/4"
1 1/2" FPT	*JA 29290-0010	Jabsco	Plastic	6 3/4"	2 3/4"
1 1/4" Barb	PK 721 000 PLB	Perko	Cast Bronze	4 3/4"	2 3/4"

*The Jabsco 29290-0010 bilge strainer has a built-in check valve to prevent backflow.

JABSCO / PERKO

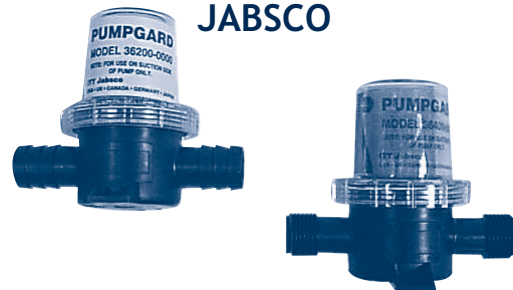


JABSCO STRAINERS FOR FRESH AND SALT WATER

These Jabsco strainers are compatible with fresh or salt water and meet FDA standards for potable water. They have a twist off clear bowl, a choice of 50 or 16 mesh screens, and a variety of port configurations. (Replacement parts: 50 mesh screen - JA 36138-0000, 16 mesh screen - JA 36139-0000, o-ring - JA 36403-0000, and clear bowl - JA 44070-0000)

50 Mesh Model	Description	16 Mesh Model	Description
JA 36400-0000	1/2" x 1/2" barb ports	JA 36200-0000	3/4" x 3/4" barb ports
JA 36400-1000	1/2" x 1/2" MPT ports	JA 36200-1000	5/8" x 5/8" barb ports
JA 36400-2000	1/2" barb x 1/2" MPT	JA 36400-0200	1/2" x 1/2" barb ports
JA 36220-0000	3/4" x 3/4" barb ports		

JABSCO

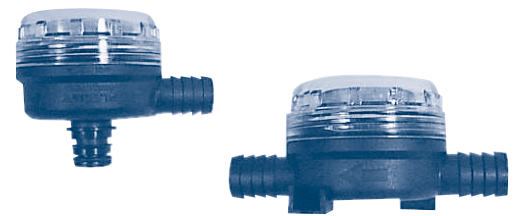


FLOJET STRAINERS FOR FRESH AND SALT WATER

These Flojet strainers are compatible with fresh or salt water and meet FDA standards for potable water. They will handle up to 7 gpm, have twist off clear bowls, and 40 mesh stainless steel screens.

In-Line Ports		90° Ports	
Model Number	Description	Model Number	Description
FJ 01740-000	3/4" x 3/4" hose barbs	FJ 01740-010	3/4" barb x Quad port
FJ 01740-002	1/2" x 1/2" hose barbs	FJ 01740-012	1/2" barb x Quad port
FJ 01740-003	3/8" x 3/8" hose barbs	FJ 01740-014	1/2" QEST x Quad port
FJ 01740-004	1/2" x 1/2" QEST fittings		

FLOJET



SHURFLO STRAINERS FOR FRESH AND SALT WATER

Shurflo manufactures two types of strainers. The 253-220-01 comes with a 50 mesh screen, in-line 1/2" FPT ports (3/4" male barb fittings are included), and easy to remove clear cover. The 170 series strainers also have 50 mesh screens and are made to mount right on the inlet of Shurflo's 2088.

Model Number	Description	Model Number	Description
SF 253-220-01	1/2" FPT ports with 3/4" barbed fittings	SF 170-060-09	1/2" FPT x 1/2" barb
		SF 170-061-09	1/2" FPT x 1/2" MPT

SHURFLO

