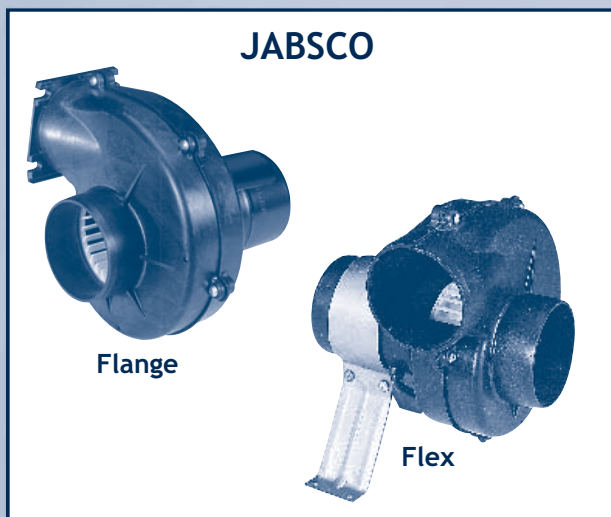


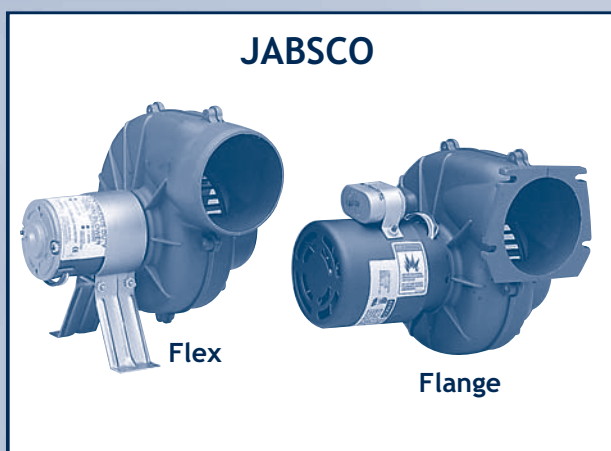
JABSCO BLOWERS IN AC AND DC (12, 24 & 32V)



3" AND 4" FLANGE AND FLEXMOUNT 100-250CFM

Model Number	CFM	Mount	Volts	Amps	Inlet Port	Outlet Port
JA 34744-0000*	100	Flange	115 vac	.7	3"	2 3/4"
JA 34754-0000*	100	Flex	115 vac	.7	3"	3"
JA 35115-0020	105	Flange	12 vdc	4.4	3"	2 3/4"
JA 35515-0010	105	Flex	12 vdc	4.3	3"	3"
JA 34739-0010	150	Flange	12 vdc	6.5	3"	2 3/4"
JA 36740-0000	150	Flex	12 vdc	6.8	3"	3"
JA 34739-0020	150	Flange	24 vdc	3.3	3"	2 3/4"
JA 36740-0010	150	Flex	24 vdc	3.3	3"	3"
JA 34739-0030	150	Flange	32 vdc	2.5	3"	2 3/4"
JA 34739-0031	140	Flange	115 vdc	1.0	3"	2 3/4"
JA 36740-0031	140	Flex	115 vdc	1.0	3"	3"
JA 35400-0000	250	Flange	12 vdc	12.0	4"	3 5/8"
JA 35400-0010	250	Flange	24 vdc	5.3	4"	3 5/8"
JA 35400-0020	150	Flange	32 vdc	4.0	4"	3 5/8"
JA 35440-0000	250	Flex	12 vdc	12.0	4"	4"
JA 35440-0010	250	Flex	24 vdc	5.3	4"	4"
JA 35440-0020	150	Flex	32 vdc	4.0	4"	4"

*The 34744 and 34754 blowers are not ignition protected



CONT. DUTY FLANGE AND FLEXMOUNT 200-250CFM

This line of Jabsco blowers offer extra long-life of a minimum 10,000 hours, making them ideal for general engine room or genset enclosure ventilation. They are also well suited for general ventilation of head or galley areas. The DC models are ignition protected. The AC models (36760-0115 and 36770-0115) are not ignition protected and should not be used where flammable vapors are present.

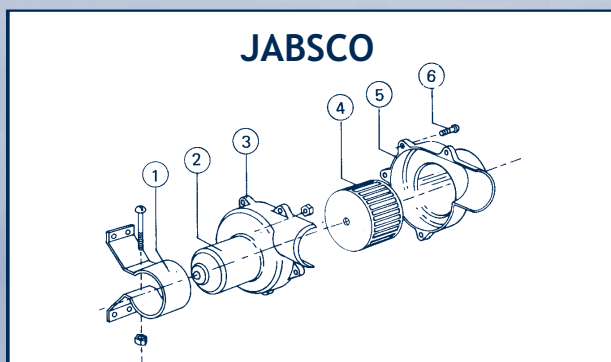
Model Number	CFM	Mount	Volts	Amps	Inlet Port	Outlet Port
JA 35760-0092	250	Flange	12 vdc	11.0	4"	3 5/8"
JA 35770-0092	250	Flex	12 vdc	11.0	4"	4"
JA 35760-0094	250	Flange	24 vdc	6.0	4"	3 5/8"
JA 35770-0094	250	Flex	24 vdc	6.0	4"	4"
JA 34739-0020HD	150	Flange	24 vdc	2.5	3"	2 3/4"
JA 36760-0115	250	Flange	115 vac	1.35	4"	3 5/8"
JA 36770-0115	250	Flex	115 vac	1.35	4"	4"



3" AND 4" COMPACT "IN-LINE" BLOWERS 135-240CFM

Jabsco in-line blowers provide ventilation for bilges, engine compartments, galleys and heads. They are very quiet, produce a high output, are corrosion resistant and will easily install on any flat surface.

Model Number	CFM	Volts	Amps	Inlet Port	Outlet Port	Dimensions (H x W x L)
JA 30460-0012	140	12 vdc	5	3"	3"	4" x 5 1/4" x 6 7/8"
JA 30490-0012	240	12 vdc	5	4"	4"	4" x 5 1/4" x 6 7/8"
JA 30480-0000	135	12 vdc	5	3"	3"	3 3/16" x 5" x 5 1/4"
JA 30480-0024	135	24 vdc	3	3"	3"	3 3/16" x 5" x 5 1/4"
JA 30500-0000	235	12 vdc	7.5	4"	4"	4 3/16" x 6" x 5 1/4"
JA 30500-0024	235	24 vdc	5	4"	4"	4 3/16" x 6" x 5 1/4"



PARTS FOR ALL JABSCO BLOWERS!

Key	Part Description
1	Bracket Assembly
2	Motor Kit
3	Blower Housing
4	Blower Wheel
5	Blower Housing
6	Screw 8 x 5/8 SS Self Tapping Pan Head

We stock many of the parts used on Jabsco blowers including motors, fan wheels, body parts, etc. To the left of this paragraph is a typical breakdown of a Jabsco blower each item referenced to a parts description. This will assist you in identifying the parts you require when you call us to obtain your required part numbers and pricing.

- CONTENTS
- PUMPING PRINCIPLES
- ENGINE COOLING
- ENGINEERING TABLES
- TROUBLE-SHOOTING GUIDE
- INDEX
- HOME
- NEXT
- BACK