

JABSCO IMPELLER PULLER AND CHART

CONTENTS

LET IMPELLER PULLERS TAKE THE STRAIN!

PUMPING PRINCIPLES

These tools provide an easy way of removing flexible impellers from a pump's impeller bore. Simply tighten the tool's grip fingers into the rubber hub of the impeller and turn the extraction screw clockwise to pull the impeller out of the pump.

ENGINE COOLING

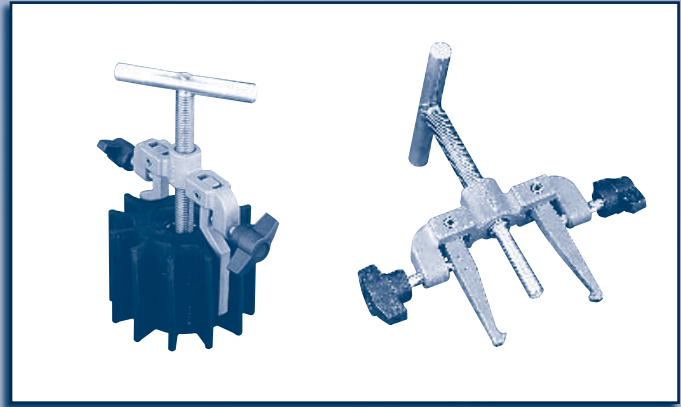
The small puller is suitable for impellers with overall diameters from 2 1/4" to 2 9/16" (silhouettes K, L, M, W, X, Y, and CC). The large puller is suitable for impellers with overall diameters from 3 1/16" to 5" (silhouettes O, Q, R, U, Z, and GG).

ENGINEERING TABLES

TROUBLE-SHOOTING GUIDE

Small Puller - JA 50070-0040

Large Puller - JA 50070-0200



INDEX

HOME

NEXT

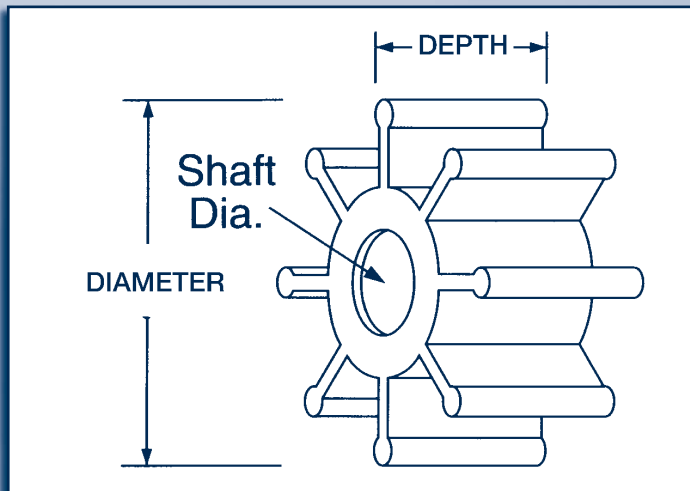
BACK

IMPELLER CHART NUMERICAL CROSS REFERENCE

OBsolete IMPELLER CROSS REFERENCE

Impeller No.	Silhouette	Impeller No.	Silhouette	Impeller No.	Silhouette	Impeller No.	Replacement
836-0001	O	5929-0003	K	17486-0001	H	673-0001	18673-0001
836-0003	O	6056-0003	M	17935-0001	Q	673-0003	18673-0003
836-0008	O	6303-0001	H	17936-0001	Q	702-0001	920-0001
920-0001	M	6303-0003	H	17937-0001	Y	790-0001	836-0001
920-0003	M	6760-0001	O	17954-0001	Y	2232-0001	Limited Quantities
920-0008	M	6760-0003	O	17956-0001	Y	2232-0003	Limited Quantities
1210-0001	K	7273-0001	G	18327-0001	Y	2999-0008	2999-0001
1210-0003	K	7273-0003	G	18653-0001	I	5616-0003	5606-0003
1414-0001	A	9200-0001	F	18673-0001	I	6056-0001	17956-0001
1414-0003	A	9200-0003	F	18673-0003	I	14127-0001	4568-0001
2999-0001	U	11979-0001	M	18786-0001	R	14127-0003	4568-0003
3085-0001	L	12104-0001	A	18789-0001	R	21676-0001	17936-0001
4527-0001	G	13554-0001	K	18815-0001	L		
4527-0003	G	14281-0001	K	18838-0001	W		
4528-0001	D	14609-0001	C	18948-0001	X		
4528-0003	D	14609-0003	C	18958-0001	GG		
4568-0001	K	14750-0001	B	22120-0001	K		
4568-0003	K	14750-0003	B	22405-0001	D		
4598-0001	M	14787-0001	C	22799-0001	G		
4598-0003	M	14787-0003	B	30919-0001	Z		
5616-0001	G	17018-0001	M	31130-0061	CC		
5616-0003	G	17255-0003	D				
5929-0001	K	17370-0001	Q				

TYPES OF INSERT AND SHAFT DRIVE



1. Slotted Shaft Pin Drive	
2. Through Hole Pin Drive	
3. Key Drive	
4. Single Flat Drive	
5. Double Flat Drive	
6. Ding Drive Keyway	
7. Spline Drive	
8. Ribbed Segment Key	